



Using a Serial ROM with the 21554 Embedded PCI-to-PCI Bridge

Application Note

September 1998

Order Number: 278183-001



Information in this document is provided in connection with Intel products. No license, express or implied, by estoppel or otherwise, to any intellectual property rights is granted by this document. Except as provided in Intel's Terms and Conditions of Sale for such products, Intel assumes no liability whatsoever, and Intel disclaims any express or implied warranty, relating to sale and/or use of Intel products including liability or warranties relating to fitness for a particular purpose, merchantability, or infringement of any patent, copyright or other intellectual property right. Intel products are not intended for use in medical, life saving, or life sustaining applications.

Intel may make changes to specifications and product descriptions at any time, without notice.

Designers must not rely on the absence or characteristics of any features or instructions marked "reserved" or "undefined." Intel reserves these for future definition and shall have no responsibility whatsoever for conflicts or incompatibilities arising from future changes to them.

The Product Name may contain design defects or errors known as errata which may cause the product to deviate from published specifications. Current characterized errata are available on request.

Contact your local Intel sales office or your distributor to obtain the latest specifications and before placing your product order.

Copies of documents which have an ordering number and are referenced in this document, or other Intel literature may be obtained by calling 1-800-548-4725 or by visiting Intel's website at <http://www.intel.com>.

Copyright © Intel Corporation, 1998

*Third-party brands and names are the property of their respective owners.

Contents

1.0	Introduction.....	1
2.0	Hardware Description.....	1
2.1	Supported Serial ROMs	1
2.2	Hardware Configuration	1
3.0	Serial ROM Preload Operation.....	2
3.1	Preload Sequence.....	2
3.2	Preload Configuration Registers	2
3.3	Critical Configuration Registers.....	4
4.0	Serial ROM Operation by CSR Access	5
4.1	Serial ROM Write	5
4.2	Serial ROM Read	7
4.3	Example Data File for Programming Serial ROM.....	7
5.0	Vital Product Data	9
5.1	Reading VPD Information.....	9
5.2	Writing VPD Information.....	10
	Support, Products, and Documentation	11

Figures

1	Serial ROM Hardware Configuration.....	2
---	--	---

Tables

1	Serial ROM Interface Signals	1
2	Serial Preload Format	3
3	Power Management and BiST Preload Format.....	4

1.0 Introduction

The serial ROM interface is used to preload data into the 21554 configuration registers with vendor specific values. The serial ROM can also be used to support the Vital Product Data (VPD) interface as described in Revision 2.1 of the *PCI Local Bus Specification*.

This application note describes the serial ROM hardware setup and explains the preload sequence of the serial ROM. Example code for programming the serial ROM through command and status register (CSR) access is provided. A description of the VPD operation is also provided.

2.0 Hardware Description

This section describes the supported serial ROMs and the hardware configuration.

2.1 Supported Serial ROMs

The serial ROM interface of the 21554 supports byte-organized 4096-bit (512-byte) Microwire serial ROM. The recommended Microchip device is either the 93LC66 (configured in byte mode) or the 93LC66A. The clock input to the serial ROM is the primary PCI clock with a maximum frequency of 33 MHz, divided by 34. The duty cycle of the clock is approximately 50%.

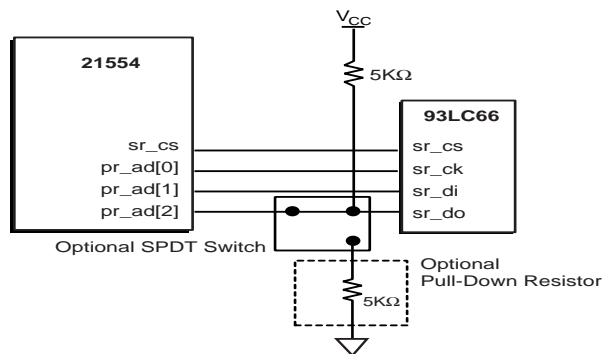
2.2 Hardware Configuration

The serial ROM interface consists of four signals as listed in Table 1. Chip select, **sr_cs**, is a dedicated signal. The remaining three signals are multiplexed with the parallel ROM control signals. Figure 1 shows the hardware set up for the serial ROM interface. The signal **pr_ad[2]** is the serial ROM output during accesses to the ROM. If a serial ROM is not present, **pr_ad[2]** should be tied low through an external resistor. When **pr_ad[2]** is tied to a serial ROM that is programmed with the correct preload enable sequence, the 21554 will conduct a configuration register preload from the serial ROM. This takes approximately 570 ms. During the serial preload period, all configuration register accesses to the 21554 receive a target retry.

Table 1. Serial ROM Interface Signals

Name	Type	Description	21554 Pin
sr_cs	Output	Serial ROM chip select	sr_cs
sr_ck	Output	Serial ROM clock	pr_ad[0]
sr_di	Output	Serial ROM data in	pr_ad[1]
sr_do	Input	Serial ROM data out	pr_ad[2]

Figure 1. Serial ROM Hardware Configuration



A5929-01

3.0 Serial ROM Preload Operation

This section describes the preload sequence, the preload configuration registers, and the critical configuration registers.

3.1 Preload Sequence

After the 21554 completes a chip reset and deasserts `s_rst_l`, it initiates a serial ROM read to perform a configuration register preload. The 21554 will only perform the preload operation if the first two bits read, corresponding to bits [7:6] of byte 0, are 10b. Otherwise the serial ROM read is terminated and all registers remain at their reset values. The preload sequence performs the following:

- Selects the size and type of downstream, upstream, and ROM address windows by preloading the address setup configuration registers.
- Loads read-only configuration values such as subsystem vendor ID, subsystem ID, class code, MAX_LAT, and MIN_GNT.
- Enables device specific features (for example, the read and write queue tuning thresholds, additional error modes, and I₂O enable) in the chip control 0 and 1 configuration registers.
- Configures the bus master priority levels of the secondary bus arbiter.
- Enables or disables the PCI interface signal SERR# for specific error conditions.
- Sets up the power management register interface for the subsystem, including supported power states and PME# enable.
- Clears or sets the primary lockout bit in the chip control register, which enables or retries primary configuration accesses, respectively.

3.2 Preload Configuration Registers

The serial preload initializes those configuration registers not configured by standard plug and play initialization code. Table 2 provides a list of the preloadable registers. Not all of the bits in the sequence are actually used. Unused bits must be set to 0.

Table 2. Serial Preload Format

ROM Byte Offset	Register Offset	Description
00h	—	ROM present (bits [7:6] = 10b to enable preload)
03:01h	—	Reserved
04h	09h	Primary programming interface
05h	0Ah	Primary sub class code
06h	0Bh	Primary baseclass code
08:07h	2D:2Ch	Subsystem vendor ID register
0A:09h	2F:2Eh	Subsystem ID register
0Bh	3Eh	Primary minimum grant register
0Ch	3Fh	Primary maximum latency register
0Dh	49h	Secondary programming interface register
0Eh	4Ah	Secondary sub class code register
0Fh	4Bh	Secondary base class code register
10h	7Eh	Secondary minimum grant register
11h	7Fh	Secondary maximum latency register
15:12h	13:10h	Downstream memory 0 setup register
19:16h	1B:18h	Downstream I/O or memory 1 setup register
1D:1Ah	1F:1Ch	Downstream memory 2 setup register
21:1Eh	23:20h	Downstream memory 3 setup register
25:22h	27:24h	Downstream memory 3 setup register(upper 32 bits)
27:26h	C3:C0h	Primary expansion ROM setup register
2B:28h	5B:58h	Upstream I/O or memory 0 setup register
2F:2Ch	5F:5Ch	Upstream memory 1 setup register
31:30h	CD:CCh	Chip control 0 register
33:32h	Cf:CEh	Chip control 1 register
35:34h	D3:D2h	Arbiter control register
36h	D4	Primary SERR# disables register
37h	D5	Secondary SERR# disables register
3F:38h	See ^a	PCI power management data register values
40h	—	Reserved
42:41h	See Table 3	PCI power management and BiST

a. These 8 registers are hidden but can be read in the power management data register (offset E3h). The data select register (offset E1h) determines the byte in the data register.

Serial ROM bytes 42:41h, which contain the PCI power management setup information and BiST control, have the format shown in Table 3.

Table 3. Power Management and BiST Preload Format

ROM Byte Offset	ROM Bits	Description	Register Offset	Register Bits
41h	1:0	Reserved	—	—
41h	2	BiST supported	—	—
41h	3	Power management data register enable	—	—
41h	5:4	Power management control and status register	E1:E0h	14:13
41h	7:6	Power management capabilities register	DF:DEh	1:0
42h	0	Power management capabilities register	DF:DEh	2
42h	1	Power management capabilities register	DF:DEh	5
42h	7:2	Power management capabilities register	DF:DEh	14:9

3.3 Critical Configuration Registers

After a serial ROM preload, the initialization sequence can either immediately step to the host configuration, or the local processor can configure the secondary side of the 21554 before allowing access by the host. The critical configuration registers, which should be set in the serial ROM preload, depend on which initialization sequence is utilized. If the host requires access immediately after the preload, the critical configuration registers are set as follows (all other locations in the serial ROM preload can be loaded with 0's for this initialization sequence):

- ROM present. Bits 7:6 set to a 10b to enable serial ROM preload.
- Primary/secondary sub classcode. Sets the subsystem device class type.
- Subsystem ID and subsystem vendor ID. Provides the vendor specific ID for subsystem.
- Upstream and downstream base address setup registers. Sets the address range size and type before host configuration.
- Primary expansion ROM setup register. Sets the address range size for expansion ROM.
- Chip control 0. Must clear the primary lockout bit (bit 10).

If the local processor configures the subsystem after a serial ROM preload and before the host gains access to the 21554, the following configuration registers should be set during preload (all other locations in the serial ROM preload can be loaded with 0's for this initialization sequence):

- ROM present. Bits 7:6 set to a 10b to enable serial ROM preload.
- Upstream base address setup registers. Sets the address range size and type before secondary processor configuration.
- Chip control 0. Must set the primary lockout bit to a one (bit 10).

4.0 Serial ROM Operation by CSR Access

The 21554 allows serial ROM access through CSR control. A serial ROM operation consists of the following three phases:

- Command (3 bits)
- Address (9 bits)
- Data (8 or more bits)

For a serial ROM write operation (opcode 01), the 21554 drives the data to the serial ROM on the **sr_do** line. For a read operation (opcode 10), the serial ROM drives the data to the 21554 on the **sr_do** line.

In addition to these two operations, the 21554 supports the following op codes:

- Write enable (opcode 00)
- Write disable (opcode 00)
- Write all (opcode 00)
- Erase all (opcode 00)
- Erase (opcode 11)

When writing the opcode and address to the ROM address register, bits [10:9] contain the opcode and bits [8:0] contain the address. For opcode 00, a byte address is not required and the two most significant address bits [8:7] decode the following commands:

- Write disable (00)
- Write all (01)
- Erase all (10)
- Write enable (11)

4.1 Serial ROM Write

To perform a serial ROM write operation, write enable the serial ROM because most ROM's typically power up in the ERASE/WRITE disable state. After performing this operation once, the serial ROM will remain enabled for programming unless a write disable command is issued or V_{cc} is removed from the serial ROM. To perform a write enable, the initiator should first make sure that the parallel and serial ROM start and busy bits are both clear in the ROM control CSR (offset 0CFh). Then perform the following steps:

1. Write byte address and opcode (000180h) to the ROM address register (0CCh).
2. Write 1 to the serial ROM start bit and write 0 to the parallel ROM start bit in the ROM control CSR during the same CSR access.
3. When the serial ROM start bit is read as a zero, the operation is complete.

Example code for the write enable operation is provided as follows:

```
/* setup 21554 for write enable, base = 21554 memory mapped CSR base address */
PUT32(base+0xCC,SROM_OpGeneral|SROM_GeneralWriteEnable);

/* kick the start bit */
PUT8(base+0xCF,RCR_SROMStartBusy);

/* wait for busy bit to deassert, ms delay so we are not too aggressive */
while ((value=GET8(base+0xCF)) & RCR_SROMStartBusy) delay(1);
```

After the serial ROM is enabled for programming, the write operation can begin. The steps required to write to the serial ROM are listed as follows:

1. Write the byte address and opcode (000200h, address 0, opcode 01) to the ROM address register (0CCh).
2. Write the 8-bit data (80h, enable serial preload) in the ROM data CSR (0CAh).
3. Write the serial ROM start bit to a 1 and the parallel ROM start bit to a 0 in the ROM control CSR during the same CSR access.
4. When the serial ROM start bit is read as a 0 and the SROM_POLL bit of the ROM control CSR is set to a 1, a polling operation is initiated to test for write completion by writing the serial ROM start bit to a 1.
5. The SROM_POLL bit indicates the status of the polling operation. If it is read as a 1, the serial ROM should be polled again. If it is read as a 0, the operation is complete.

Example code for the write operation is provided as follows:

```
/* setup for write command. i = srom offset, sBuffer[i] = data to write */
PUT32(base+0xCC,i|SROM_OpWrite);
PUT8(base+0xCA,sBuffer[i]);

/* kick the start bit */
PUT8(base+0xCF,RCR_SROMStartBusy);

/* wait for busy bit to deassert */
while (GET8(base+0xCF) & RCR_SROMStartBusy);

/* wait for SROM to recover */
delay(4);

/* we are now in write mode, kick the start bit again to program the data*/
PUT8(base+0xCF,RCR_SROMStartBusy);
while (GET8(base+0xCF) & RCR_SROMStartBusy);

/* keep issuing a start command to see if the SROM has accepted the data */
/* by checking the poll bit */
while(GET8(base+0xCF) & RCR_SROMPoll)
```

```
{
    PUT8(base+0xCF,RCR_SROMStartBusy);
    while (GET8(base+0xCF) & RCR_SROMStartBusy);
}
```

4.2 Serial ROM Read

To perform a serial ROM read, both the parallel and serial ROM start and busy bits should be clear in the ROM control CSR. Then perform the following steps for a serial ROM read access:

1. Write the byte address and op code (000400h, address 0, opcode 10) in the ROM address CSR (offset: 0CCh).
2. Write the serial ROM start bit to a 1 and the parallel ROM start bit to a 0 in the ROM control CSR during the same CSR access.
3. When the serial ROM start bit is read as a 0, the 8-bit data from the ROM data register (offset: 0CAh may be read).

Example code for the read operation is provided as follows:

```
/* issue a read command with correct address (i) */
PUT32(base+0xCC,i | SROM_OpRead);

/* kick the start bit */
PUT8(base+0xCF,RCR_SROMStartBusy);

/* wait for busy the bit to deassert with 1 ms delay */
while (GET8(base+0xCF) & RCR_SROMStartBusy) delay(1);

/* read data */
value=GET8(base+0xCA);
```

4.3 Example Data File for Programming Serial ROM

MKSROM.EXE is a DOS based utility that can be used to program a blank serial ROM behind a 21554 bridge from PCI. A data file is used with this program to load the appropriate information into the serial ROM. This data file can be altered using any standard text editor. Example code for the data file is provided as follows:

```
;
; this file will create an SROM image
; This loads the registers with their reset
; values - BARs disabled, No I2O, no special features
;
[
; preload enable (sets bit 7 for preload enable)
:0 80
:1 00
:2 00
```



```
:3 00
; Primary Class Code
:4 00
:5 80
:6 06
; Subvendor IDs
:7 46
:8 00
:9 11
:A 10
; Primary Min GNT, Max LAT
:B 00
:C 00
; Secondary Class Code
:D 00
:E 80
:F 06
; Secondary Min GNT, Max LAT
:10 00
:11 00
; Downstream Mem 0 - CSRs only (Set a 4K window size)
:12 00
:13 F0
:14 FF
:15 FF
; Downstream Mem 1 or I/O (Set 256 byte I/O window size)
:16 01
:17 FF
:18 FF
:19 FF
; Downstream Mem 2 (Set 8MB memory window size)
:1A 08
:1B 00
:1C 80
:1D FF
; Downstream Mem 3 (Set 8MB memory window size)
:1E 08
:1F 00
:20 80
:21 FF
; Downstream Mem 3 Upper 32
:22 00
:23 00
:24 00
:25 00
; Expansion ROM (Set 1MB expansion ROM size)
:26 01
:27 F0
; Upstream Mem 0 or I/O (Set 256 byte I/O window size)
:28 01
:29 FF
:2A FF
:2B FF
; Upstream Mem 1 (Set 8MB memory window size)
:2C 08
:2D 00
:2E 80
:2F FF
```

```

; Chip Control 0
:30 00
; clear lockout bit
:31 00
; Chip Control 1
:32 00
; LUT disable,i2o disable
:33 00
; Arbiter control (Sets internal 21554 secondary bus request to high priority ring)
:34 00
:35 02
; System error disable
:36 00
:37 00
; Power management
:38 00
:39 00
:3A 00
:3B 00
:3C 00
:3D 00
:3E 00
:3F 00
:40 00
:41 00
:42 00
]

```

5.0 Vital Product Data

The 21554 provides VPD support through the serial ROM interface. The upper 3072-bits of the serial ROM is used to store VPD data. The first 1024-bits of this space is designated as read only and cannot be written from the VPD serial ROM register interface. The upper 2048-bits are read/write locations that can be accessed through the VPD serial ROM register interface.

5.1 Reading VPD Information

A read can occur to any location in VPD space. Valid VPD addresses are 17F:000h when accessing from the VPD address register (offset by 1024-bits from serial ROM address register). To read VPD information from the serial ROM, perform the following steps:

1. Write the VPD address and VPD flag bits of the VPD address register (offset E7:E6h). The lower 9 bits of this register are the address bits and bit 15 should be set to a 0 signifying a read command. The 21554 adds the VPD base address, 080h, to the VPD byte address in order to obtain the serial ROM address. The VPD address has no alignment criteria and can start on any byte boundary.
2. The VPD flag (bit 15) is polled. When the 21554 returns a 1, the read is complete.
3. Read the VPD information from the VPD data register (offset EB:E8). Byte 0 will contain the data referenced by the VPD address register and bytes 3:1 include the successive bytes.

The 21154, regardless of the address, always performs a four-byte read. Therefore, if the VPD byte address is one of the last 3 bytes in VPD space, the serial ROM address wraps. The remaining 1, 2 or 3 bytes contain invalid data and should be ignored.

5.2 Writing VPD Information

A write can only occur in the last 2048-bits (256 bytes) of VPD space. Valid VPD write addresses are 17F:080h. To write VPD information to the serial ROM, perform the following steps:

1. Write the VPD data to the VPD data register (offset EB:E8). Byte 0 contains the data to be written to the location referenced by the VPD byte address. The values in bytes 3 through 1 of the VPD data register are written to successive locations in VPD space.
2. Write the VPD address and VPD flag bits of the VPD address register (offset E7:E6h). The lower 9 bits of this register contain the address bits. Bit 15 should be set to a 1 signifying a write command. The 21554 adds the VPD base address, 080h, to the VPD byte address to obtain the serial ROM address. The VPD address has no alignment criteria and can start on any byte boundary.
3. The VPD flag bit is polled. When the 21554 returns a 0, the write is complete.

Writes attempted to a location in the lower 1024-bits of serial ROM space will not be performed and the 21554 will clear the flag bit immediately. If the VPD byte address is one of the last three byte locations in VPD space, the 21554 will only complete those writes to the end of VPD space.

The 21554 tracks whether the serial ROM is enabled for writes. If the serial ROM is write disabled and a VPD write is attempted, the 21554 will first automatically perform a write enable operation to the serial ROM.



Support, Products, and Documentation

If you need technical support, a *Product Catalog*, or help deciding which documentation best meets your needs, visit the Intel World Wide Web Internet site:

<http://www.intel.com>

Copies of documents that have an ordering number and are referenced in this document, or other Intel literature may be obtained by calling **1-800-332-2717** or by visiting Intel's website for developers at:

<http://developer.intel.com>

You can also contact the Intel Massachusetts Information Line or the Intel Massachusetts Customer Technology Center. Please use the following information lines for support:

For documentation and general information:	
Intel Massachusetts Information Line	
United States:	1-800-332-2717
Outside United States:	1-303-675-2148
Electronic mail address:	techdoc@intel.com

For technical support:	
Intel Massachusetts Customer Technology Center	
Phone (U.S. and international):	1-978-568-7474
Fax:	1-978-568-6698
Electronic mail address:	techsup@intel.com