

Product Brief

Intel® CE 9527 Software Development Platform

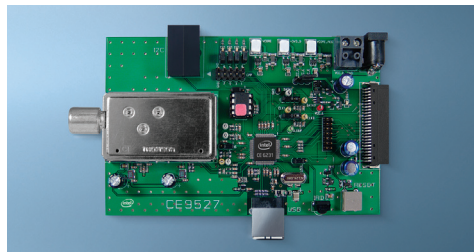
Demodulators and Tuners

Applications

Software development for Intel® CE 6230 and Intel® CE 6231 applications such as:

- DVB-T PC USB module TV receivers
- DVB-T TV/Monitor add-on receivers
- Portable, mobile or hand-held TV display modules

Software Development Platform for Intel® CE 6230/1 USB PC-TV Applications



Product Overview

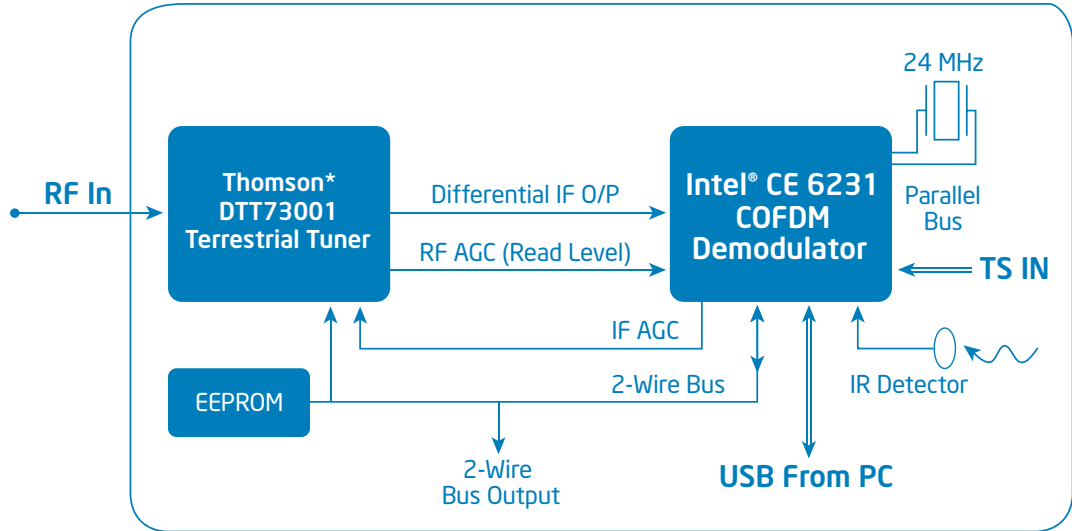
The Intel® CE 9527 software development platform (SDP) is designed to facilitate development and evaluation of software and firmware for USB PC Digital TV receiver designs based on the Intel® CE 6230 and Intel® 6231 USB 2.0 COFDM terrestrial demodulators. The platform receives digital terrestrial transmissions to the DVB-T standard over the 470 to 862 MHz and 170 to 230 MHz frequency ranges. The Intel CE 9527 SDP is connected to a PC using a USB 2.0 interface.

The Intel CE 9527 SDP can be operated from a good quality +5V ($\pm 0.25V$) supply at up to 500mA or can be powered from the PC's USB connection. Once provided with a RF connection to a COFDM source, the software can be started on the PC and evaluated as required. When the system is locked to a suitable signal, MPEG video and audio data will be transmitted to the PC for viewing in a separate window and listening via the PC's audio output.

Intel® COFDM Television Demodulators

Intel CE 6230 and Intel CE 6231 Coded Orthogonal Frequency Division Multiplex (COFDM) television demodulators are compliant with NorDig Unified version 1.0.2 and DVB (ETS 300 744). The Intel CE 6231 device provides support for a second data input for a serial (up to 91MHz) or parallel transport stream or a digitized analog input conforming to Rec. 656 with I²S audio input.

Platform Block Diagram



Platform Features

- Intel CE 6231 USB 2.0 DVB-T terrestrial demodulator fitted for:
 - Intel CE 6230 and/or Intel CE 6231 application software development
 - Second external digital TS input– summed with internal TS stream
 - External analog TV input either via Rec. 656 or TS (video) with I²S audio input summed with internal TS stream
- DTG and NorDig Unified 1.0.2 performance
- USB 2.0 (slave) data and control PC-compatible interface for control and data transfer
- Low power consumption < 1500mW (full 480 MB data transfer rate)
- Blind channel scan, auto re-acquisition and RF signal level detection

- Access to MCE and BDA software
- Internal 64-bit PID filters on each TS stream (internal and external)
- Platform includes:
 - On board EEPROM for tailoring a USB solution
 - DC/DC converters (switchable USB or external PSU supply)
 - InfraRed detector/blaster
 - Tuner
 - 2-wire bus output for external tuner or other peripheral support

Customer Support

Contact your current sales representative for availability and customer supports details.

For more information, visit the Intel Consumer Electronics home page at: www.intel.com/go/consumerelectronics

Information in this document is provided in connection with Intel products. No license, express or implied, by estoppel or otherwise, to any intellectual property rights is granted by this document. Except as provided in Intel's terms and conditions of sale for such products, Intel assumes no liability whatsoever, and Intel disclaims any express or implied warranty, relating to sale and/or use of Intel products including liability or warranties relating to fitness for a particular purpose, merchantability, or infringement of any patent, copyright or other intellectual property right. Intel products are not intended for use in medical, life saving, or life sustaining applications. Intel may make changes to specifications and product descriptions at any time, without notice.

©2006 Intel Corporation. All rights reserved. Intel, the Intel logo, Intel. Leap ahead. and the Intel. Leap ahead. logo are trademarks or registered trademarks of Intel Corporation or its subsidiaries in the United States and other countries.

*Other names and brands may be claimed as the property of others

¹Meets the performance requirements of NorDig Unified Standard 1.0.2.