

Quad-Core and Dual-Core Intel[®] Xeon[®] Processor 5000 Sequence and Intel[®] 5100 Memory Controller Hub Chipset

Development Kit User Guide

April 2008

Revision 002US



INFORMATION IN THIS DOCUMENT IS PROVIDED IN CONNECTION WITH INTEL® PRODUCTS. NO LICENSE, EXPRESS OR IMPLIED, BY ESTOPPEL OR OTHERWISE, TO ANY INTELLECTUAL PROPERTY RIGHTS IS GRANTED BY THIS DOCUMENT. EXCEPT AS PROVIDED IN INTEL'S TERMS AND CONDITIONS OF SALE FOR SUCH PRODUCTS, INTEL ASSUMES NO LIABILITY WHATSOEVER, AND INTEL DISCLAIMS ANY EXPRESS OR IMPLIED WARRANTY, RELATING TO SALE AND/OR USE OF INTEL PRODUCTS INCLUDING LIABILITY OR WARRANTIES RELATING TO FITNESS FOR A PARTICULAR PURPOSE, MERCHANTABILITY, OR INFRINGEMENT OF ANY PATENT, COPYRIGHT OR OTHER INTELLECTUAL PROPERTY RIGHT.

UNLESS OTHERWISE AGREED IN WRITING BY INTEL, THE INTEL PRODUCTS ARE NOT DESIGNED NOR INTENDED FOR ANY APPLICATION IN WHICH THE FAILURE OF THE INTEL PRODUCT COULD CREATE A SITUATION WHERE PERSONAL INJURY OR DEATH MAY OCCUR.

Intel may make changes to specifications and product descriptions at any time, without notice. Designers must not rely on the absence or characteristics of any features or instructions marked "reserved" or "undefined." Intel reserves these for future definition and shall have no responsibility whatsoever for conflicts or incompatibilities arising from future changes to them. The information here is subject to change without notice. Do not finalize a design with this information.

The products described in this document may contain design defects or errors known as errata which may cause the product to deviate from published specifications. Current characterized errata are available on request.

Contact your local Intel sales office or your distributor to obtain the latest specifications and before placing your product order.

Copies of documents which have an order number and are referenced in this document, or other Intel literature, may be obtained by calling 1-800-548-4725, or by visiting [Intel's Web Site](#).

Intel processor numbers are not a measure of performance. Processor numbers differentiate features within each processor family, not across different processor families. See http://www.intel.com/products/processor_number for details.

BunnyPeople, Celeron, Celeron Inside, Centrino, Centrino Inside, Centrino logo, Core Inside, FlashFile, i960, InstantIP, Intel, Intel logo, Intel386, Intel486, IntelDX2, IntelDX4, IntelSX2, Intel Atom, Intel Atom Inside, Intel Core, Intel Inside, Intel Inside logo, Intel. Leap ahead., Intel. Leap ahead. logo, Intel NetBurst, Intel NetMerge, Intel NetStructure, Intel SingleDriver, Intel SpeedStep, Intel StrataFlash, Intel Viiv, Intel vPro, Intel XScale, Itanium, Itanium Inside, MCS, MMX, Oplus, OverDrive, PDCharm, Pentium, Pentium Inside, skool, Sound Mark, The Journey Inside, Viiv Inside, vPro Inside, VTune, Xeon, and Xeon Inside are trademarks of Intel Corporation in the U.S. and other countries.

*Other names and brands may be claimed as the property of others.

Copyright © 2008, Intel Corporation. All rights reserved.



Contents

1.0	Product Description	7
1.1	Overview - Feature Summary	7
1.2	Board Overview	11
1.3	Processors and Chipset	12
1.4	System Memory	12
1.4.1	DDR2-533/667 DIMM Slot Populations	13
1.5	Peripherals and I/O	13
1.5.1	On-board Peripheral Components	13
1.5.2	On-board I/O Connections	14
1.5.3	Expansion I/O Slots	15
1.5.4	Rear Panel I/O Connectors	15
1.5.5	On-board Power Connections	16
1.6	Hardware Server Management Features	16
1.6.1	Voltage Monitoring	16
1.6.2	Temperature and Fan Tachometer Monitoring	17
1.6.3	Watch Dog Timer (WDT)	17
1.6.4	Sleep States and Soft Off	17
1.6.5	Wake Events	17
1.6.6	Hardware Clock Throttling	17
1.6.7	Fan Power Connection	17
1.6.8	On Board Switches	17
1.7	Supported Operating Systems	17
1.8	Supported BIOS Features	18
1.8.1	ACPI	19
1.9	Thermal and Mechanical Components	20
1.9.1	Heatsinks	20
1.9.2	Physical and Mechanical Board Specifications	20
1.10	Debug Ports	21
1.11	Real Time Clock (RTC), CMOS SRAM, and Battery	21
2.0	Platform Setup	22
2.1	Processor Installation	22
2.1.1	Attaching Heatsinks and Fans	23
2.2	Memory Module Plug-In	23
2.3	Peripheral Set-Up	23
2.3.1	Connect SATA cables	23
2.3.2	Expansion Connectors	23
2.3.3	Rear Panel Connectors	24
2.4	Connect Power	24
2.5	Turning On and Resetting the Board	24
3.0	Technical Reference	25
3.1	CMOS Battery and Memory	25
3.1.1	CMOS Battery Replacement	25
3.1.2	Clearing CMOS Memory	25
3.2	Board Details	26
3.2.1	Configurable Jumper Settings	27
3.2.2	LED Indicators	28
3.3	Connectors	29
3.3.1	Fan Connectors	29
3.3.2	Power Supply Connectors	30
3.3.3	Front Panel Connector	31



- 3.4 Memory Resources 31
- 3.5 Interrupts 31
- 3.6 PCI Conventional Interrupt Routing Map 32
- 3.7 Mechanical Considerations 32
 - 3.7.1 Form Factor 32
- 4.0 Overview of BIOS Features 34**
 - 4.1 Introduction 34
 - 4.1.1 Updating the BIOS by Manually Reprogramming 34
 - 4.1.2 Updating the BIOS with a Flash Programming Tool 34
 - 4.2 Overview 34
 - 4.3 Resource Configuration 35
 - 4.3.1 PCI Auto-configuration 35
 - 4.4 System Management BIOS (SMBIOS) 35
 - 4.5 Legacy USB* Support 36
 - 4.6 Language Support 36
 - 4.7 Boot Options 36
 - 4.7.1 CD-ROM Boot 36
 - 4.7.2 Network Boot 36
 - 4.7.3 USB* Boot 37
 - 4.7.4 Changing the Boot Device 37
 - 4.8 BIOS Security Features 37
- A Error Messages and Beep Codes 38**
 - A.1 Speakers 38
 - A.2 BIOS Beep Codes 38
 - A.3 Port 80h POST Codes 39
 - A.4 BIOS Error Messages 40
 - A.5 Port 80h POST Codes 41
- B Board Reference Diagrams 43**
 - B.1 Power Overview 43
 - B.2 Clocking Overview 44
 - B.3 Reset and Power Management Signal Overview 45
 - B.4 Interrupt and Error Signal Overview 46
 - B.5 Thermal Signal Overview 47
 - B.6 External Debug Port Signal Overview 47
 - B.7 System Management Bus Signal Overview 49

Figures

- 1 Block Diagram 7
- 2 Main Component Layout Reference 11
- 3 LGA771 Socket and Processor (Top View) 22
- 4 Detailed Component Layout Reference 26
- 5 Form Factor 33
- 6 Menu Bar 34
- 7 Power Diagram 43
- 8 Clock Diagram 44
- 9 Reset and Power Management Signal Diagram 45
- 10 Interrupt and Error Signal Diagram 46
- 11 Thermal Control Diagram 47
- 12 External Debug Port Signal Diagram 48
- 13 System Management Bus Signal Diagram 49



Tables

1	Feature Summary	8
2	CRB Kit Contents	8
3	Related Documents	9
4	Processors and Chipset	12
5	System Memory Slots	13
6	DDR2-533/667 MHz DIMM Population Guidelines	13
7	On-board Peripheral Devices	14
8	On-board I/O Connections	14
9	Expansion I/O Slots	15
10	Rear Panel I/O Connectors	15
11	On-board Power Connections	16
12	Supported BIOS Features	18
13	Effects of Pressing the Power Switch	19
14	Thermal and Mechanical Components	20
15	Configurable Settings	27
16	LED Indicators	28
17	4-Wire Fan Connectors (CPU0 and CPU1)	30
18	3-Wire Fan Connectors (MCH, AUX0, and AUX1)	30
19	24-pin Main Power Connector Pins (Top-View)	30
20	8-pin Processor Power Connector Pins (Top-View)	30
21	4-pin +12 V Power Connector Pins (Top-View)	31
22	9-pin Front Panel Connector Pins (Top-View)	31
23	I/O xAPIC Interrupts	31
24	PCI Interrupt Routing Map PCI Interrupt Source	32
25	BIOS Setup Program Menu Bar	35
26	BIOS Setup Program Function Keys	35
27	POST BIOS Beep Codes	38
28	Troubleshooting POST BIOS Beep Codes	38
29	POST Code Checkpoints	39
30	BIOS Error Messages	40
31	Port 80h POST Code Ranges	41
32	Typical Port 80h POST Sequence	41



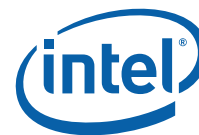
Revision History

Date	Revision	Description
April 2008	002	Updated Table 2, "CRB Kit Contents" on page 8
February 2008	001	Initial release

Revision Number Descriptions

Revision	Associated Life Cycle Milestone	Release Information
0.0	POP L3 Closure	Initial Documentation - Typically Internal Only
0.1–0.4	When Needed	Project Dependent - Typically Internal Only
0.5	Design Win Phase	First, Required Customer Release
0.6–0.7	When Needed	Project Dependent
0.7	Simulations Complete	Second, Recommended Customer Release
0.8–0.9	When Needed	Project Dependent
1.0	First Silicon Samples	Required Customer Release
1.1–1.4	When Needed	Project Dependent (Recommended)
1.5	Qualification Silicon Samples	Project Dependent
1.6–1.9	When Needed	Project Dependent
NDA - 2.0 Public - XXXXXX-001	First SKU Launch	Required Customer Release - Product Launch
2.1 and up	When Needed	Project Dependent

Note: Rows highlighted in gray are required revisions.



1.0 Product Description

1.1 Overview - Feature Summary

The Development Kit's Customer Reference Board (CRB) is a dual-socket Intel® Xeon® processor-based server platform that utilizes the Intel® 5100 MCH Chipset and DDR2-533/667 memory. The platform chipset provides dual-independent Front Side Buses (FSBs) and supports the Quad-Core and Dual-Core Intel® Xeon® Processor 5000 Sequence using LGA771 sockets. See Figure 1 below for overview.

Figure 1. Block Diagram

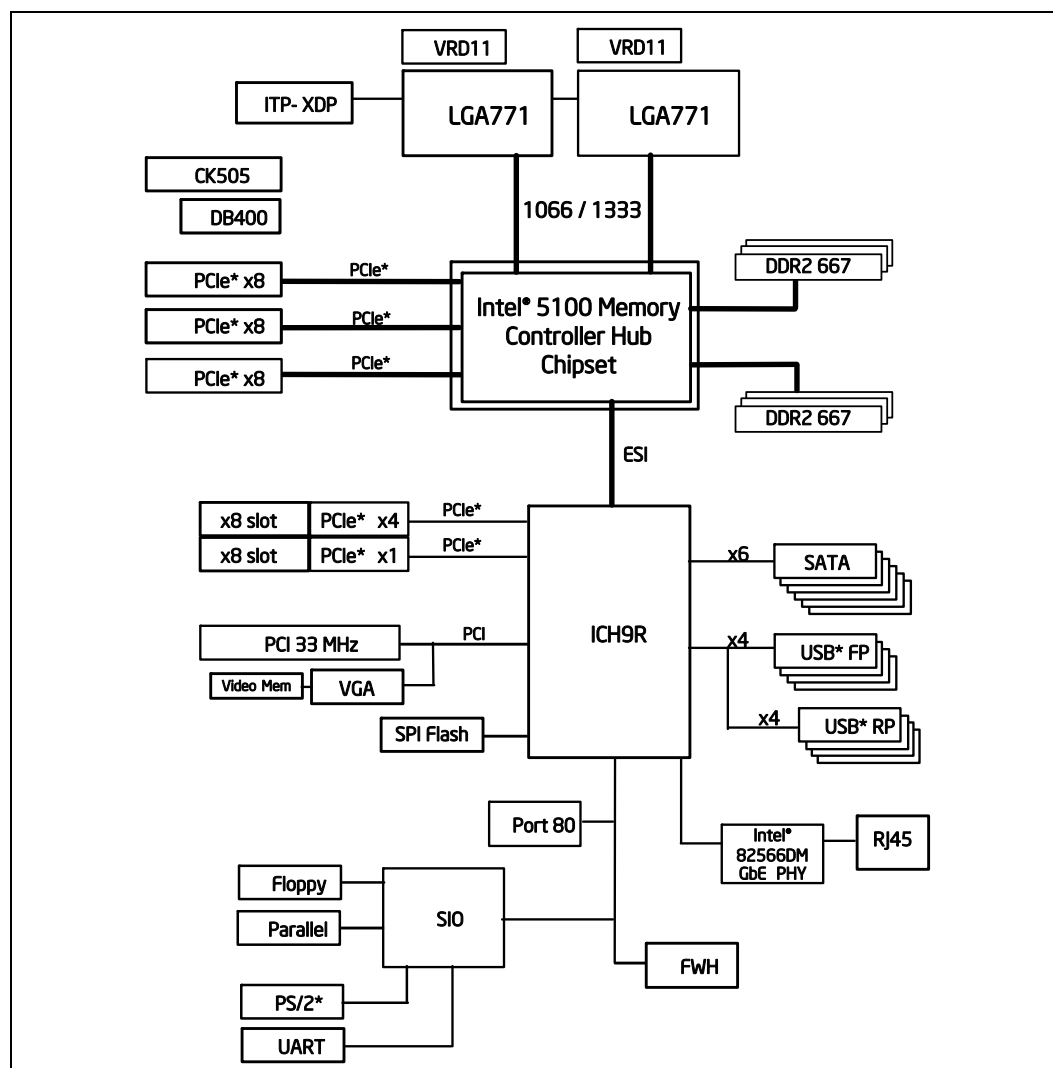




Table 1 summarizes the major features of the Customer Reference Board.

Table 1. Feature Summary

Feature	Description
Form Factor	Custom, but similar to Extended ATX (12.50 x 13.00 inches), and SSI 700 W power supply
Processors	Two LGA771 sockets supporting the Quad-Core and Dual-Core Intel® Xeon® Processor 5000 Sequence; additional documentation is available at http://developer.intel.com/design/intarch/dualcorexeon/5100/index.htm (Additional processor information can be found in Table 4 on page 12.)
Chipset	Intel® 5100 MCH Chipset including the ICH9R
Memory	Supports 533/667 MHz DDR2 Registered 240-pin ECC DIMMs only (six total) Up to 48 GB of system memory is supported
PCI Express*	Three x8 slots, One x4 slot, One x1 slot (<i>PCI Express* Base Specification</i> , Rev. 1.0a; all slots employ physical x8 connectors)
PCI	One <i>PCI Local Bus Specification</i> , Rev. 2.3 compliant 32-bit/33 MHz slot
Serial ATA	Six SATA 2 ports with AHCI support
USB*	Eight USB* 2.0 ports (four back panel and four front panel) UHCI or EHCI configurations
Video	On-board PCI video controller with 32 MB memory and standard VGA connector
LAN Support	Single 10/100/1000 network controller with RJ-45 connector
I/O Control	Low Pin Count (LPC) Bus I/O Controller
Other I/Os	<ul style="list-style-type: none"> • One floppy drive interface • PS/2* keyboard and mouse ports • One serial port • One parallel port
BIOS	<ul style="list-style-type: none"> • LPC FWH (8 Mb) • SPI Flash (16 Mb) Support for Advanced Configuration and Power Interface (ACPI), plug-and-play, SMBIOS
Hardware Subsystem	Supports S0, S3, S4, and S5 Sleep states Fan support <ul style="list-style-type: none"> • Five fan connectors with tachometer monitoring • Three fan connectors support PWM speed control inputs Monitoring <ul style="list-style-type: none"> • Thermal sense to detect out of range temperatures in the CPUs and MCH. • Voltage sense to detect out of range voltages from either CPU VRD, the MCH 1.5 V core, and the DDR2 1.8 V power supplies. Debug <ul style="list-style-type: none"> • ITP-XDP connector • LPC debug connector • SMA margining connectors

Table 2 describes what is included in the CRB Kit.

Table 2. CRB Kit Contents (Sheet 1 of 2)

Feature	Description
Customer Reference Board	PCB assembled with two LGA771 sockets and Intel® 5100 MCH Chipset with passive heatsinks
Processors	Two Quad-Core Intel® Xeon® processors L5408
Processor Heatsink	Two Active Heatsinks



Table 2. CRB Kit Contents (Sheet 2 of 2)

Feature	Description
Memory	Minimum of two 512 MB DDR2-667 DIMMs
Firmware Hub	Socketed LPC Firmware Hub (1 MB PLCC) for BIOS
Power Supply	SSI EPS12V 700 W silver box supply
Additional Peripherals	Standoffs (with installation hardware) for bench-top use Warning: Placing the board on an unknown surface without standoffs may short the CRB and result in damage. If the CRB is not mounted in a chassis, Intel recommends using provided standoffs to prevent risk of the bottom of the CRB shorting on a conductive surface. SATA hard disk drive and cable SATA optical drive and cable

Ensure a safe and static-free work environment before removing any components from their anti-static packaging. The Development Platform is susceptible to electrostatic discharge, which may cause failure or unpredictable operation.

Warning: The Development Platform must be operated on a flame retardant surface because a chassis is not included with the platform.

Caution: Connecting the wrong cable or reversing a cable may damage the board and may damage the device being connected. Since the board is not in a protective chassis, use caution when connecting cables to the board.

Caution: The power supply cord is the main disconnect device to the main power (AC power). The socket outlet should be installed near the equipment and should be readily accessible. To avoid shock, ensure that the power cord is connected to a properly wired and grounded receptacle. Do not connect/disconnect any cables or perform installation/maintenance of the boards in this product during an electrical storm. Ensure that any equipment to which this product will be attached is also connected to properly wired and grounded receptacles.

Ensure that setting up the ATX power supply is the final step performed in the process of assembly.

Once the board is set up, plug the power cable into the back of the power supply, leaving the switch in the OFF position; then plug the cord into the power source and switch on the power supply.

The Intel® Electronic Design Kit (EDK) provides online, real-time collateral updates. The following link takes you to the EDK server and requires you to log into Intel® Business Link (IBL): [Quad-Core and Dual-Core Intel® Xeon® Processor 5000 Sequence with Intel® 5100 Memory Controller Hub Chipset for Communications, Embedded, and Storage Applications.](#)

Table 3. Related Documents (Sheet 1 of 2)

Document	URL (Document Number)
ATX Specification Rev 2.02	http://www.formfactors.org/formfactor.asp
Dual-Core Intel® Xeon® Processor 5100 Series Datasheet	http://www.intel.com/ (313355)
Dual-Core Intel® Xeon® Processor 5100 Series Specification Update	http://www.intel.com/ (313356)

Notes:

- Contact your Intel sales representative. Some documents may not be available at this time.



Table 3. Related Documents (Sheet 2 of 2)

Document	URL (Document Number)
Dual-Core Intel® Xeon® Processor 5100 Series Thermal/Mechanical Design Guidelines	http://www.intel.com/ (313357)
Dual-Core Intel® Xeon® Processor 5200 Series Datasheet	http://www.intel.com/ (318590)
Dual-Core Intel® Xeon® Processor 5200 Series Specification Update	http://www.intel.com/ (318586)
Dual-Core Intel® Xeon® Processor 5200 Series Thermal/Mechanical Design Guidelines	http://www.intel.com/ (318675)
Dual-Core Intel® Xeon® Processor LV 5138 in Embedded Applications Thermal/Mechanical Design Guidelines	http://www.intel.com/ (315225)
Intel® 5100 Memory Controller Hub Chipset Datasheet	http://www.intel.com/ (318378)
Intel® 5100 Memory Controller Hub Chipset for Communications, Embedded, and Storage Applications Thermal/Mechanical Design Guide	http://www.intel.com/ (318676)
Intel® 5100 Memory Controller Hub Chipset Specification Update	http://www.intel.com/ (318385)
LGA771 Socket Mechanical Design Guide	http://www.intel.com/ (313871)
PCI Express* Base Specification, Rev. 1.0a	http://www.pcisig.com/specifications/pciexpress/
PCI Local Bus Specification, Rev. 2.3	http://www.pcisig.com/specifications/conventional/
Quad-Core Intel® Xeon® Processor 5300 Series Datasheet	http://www.intel.com/ (315569)
Quad-Core Intel® Xeon® Processor 5300 Series Specification Update	http://www.intel.com/ (315338)
Quad-Core Intel® Xeon® Processor 5300 Series Thermal/Mechanical Design Guidelines	http://www.intel.com/ (315794)
Quad-Core Intel® Xeon® Processor 5400 Series Datasheet	http://www.intel.com/ (318589)
Quad-Core Intel® Xeon® Processor 5400 Series Specification Update	http://www.intel.com/ (318585)
Quad-Core Intel® Xeon® Processor 5400 Series Thermal/Mechanical Design Guidelines	http://www.intel.com/ (318611)
Quad-Core Intel® Xeon® Processor L5318 in Embedded Applications Thermal and Mechanical Design Guidelines	http://www.intel.com/ (318474)
SSI Specification	http://ssiforum.org/specifications.aspx

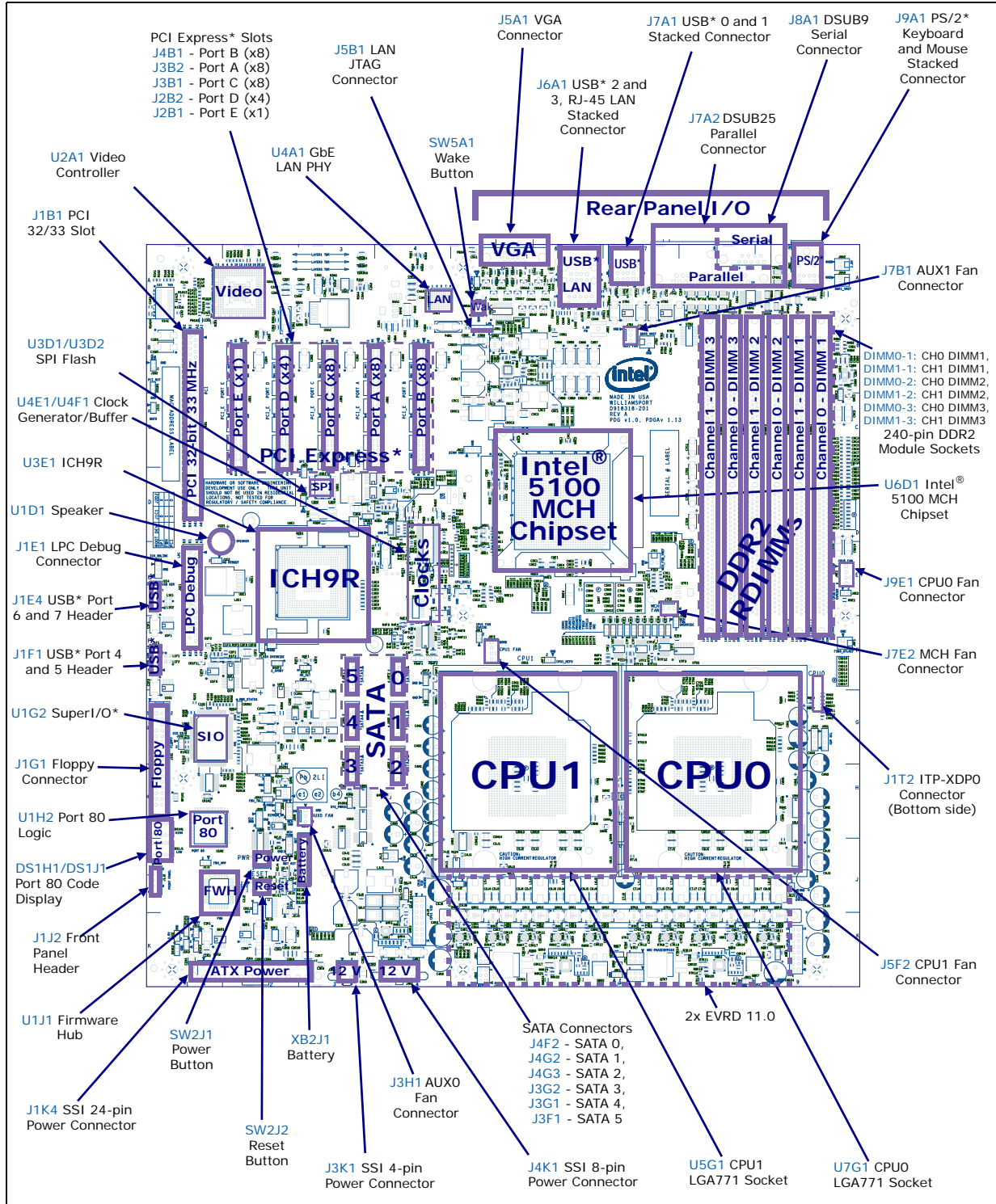
Notes:

1. Contact your Intel sales representative. Some documents may not be available at this time.



1.2 Board Overview

Figure 2. Main Component Layout Reference





Note: Component reference designators are defined by their type, board mapped location, and end with a numerical index. The board mapped locations are sectioned horizontally 1 through 9 and vertically A through K on a grid pattern. The bottom side of the board has a similar grid pattern but with different call-outs. See grid call-outs along the edges of the board. U6D1, for example, is an IC (U), is on the top of the board at cross section 6D, and is the first indexed component (1) of that type in that area.

1.3 Processors and Chipset

The CRB is designed to support the following processors with 1067 MT/s or 1333 MT/s FSB speeds.

Use only the processors listed below in Table 4. Use of unsupported processors can damage the CRB, the processor, and the power supply.

Note: In this document, “processor” refers to all processor SKUs listed in Table 4.

Table 4. Processors and Chipset

Ref Des Location	Description	
U7G1	CPU0 LGA771 Socket	Dual-Core Intel® Xeon® processor 5100 series <ul style="list-style-type: none"> • LV 5138 (2.13 GHz, 1066 MHz, 35 W) Quad-Core Intel® Xeon® processor 5300 series <ul style="list-style-type: none"> • L5318 (1.60 GHz, 1066 MHz, 40 W) Dual-Core Intel® Xeon® processor 5200 series <ul style="list-style-type: none"> • L5238 (2.66 GHz, 1333 MHz, 35 W)
U5G1	CPU1 LGA771 Socket	<ul style="list-style-type: none"> • E5220 (2.33 GHz, 1333 MHz, 65 W) Quad-Core Intel® Xeon® processor 5400 series <ul style="list-style-type: none"> • L5408 (2.13 GHz, 1066 MHz, 40 W)
U6D1	Intel® 5100 MCH Chipset	Memory Controller Hub
U3E1	ICH9R	Intel® 82801IR I/O Controller Hub

1.4 System Memory

The CRB has six DIMM sockets and supports the following memory features:

- Supports DDR2-533/667 Registered ECC DIMMs only
- Two independent Channels with up to six Ranks per Channel
- Total system memory range
 - Minimum of 256 MB for a Single Channel
 - Maximum of 48 GB for Dual Channel
- Supports 256 Mb to 2 Gb device technologies
- Uses 240-pin vertical DIMMs only
- Raw cards A through L are supported
- Supports DIMM Self Refresh mode for low power (S3) mode



Table 5. System Memory Slots

Ref Des Location	Description	
DIMM0-1	Channel 0 - DIMM Slot 1	Typical RDIMMs supported: <ul style="list-style-type: none"> • 512 MB: 667 MT/s, Single-rank, x8, 512 Mb • 1 GB: 533/667, Single-rank, x4, 512 Mb • 2 GB: 533/667, Dual-rank, x4, 512 Mb • 2 GB: 533/667, Single-rank, x4, 1 Gb • 4 GB: 533/667, Dual-rank, x4, 1 Gb
DIMM1-1	Channel 1 - DIMM Slot 1	
DIMM0-2	Channel 0 - DIMM Slot 2	
DIMM1-2	Channel 1 - DIMM Slot 2	
DIMM0-3	Channel 0 - DIMM Slot 3	
DIMM1-3	Channel 1 - DIMM Slot 3	

1.4.1 DDR2-533/667 DIMM Slot Populations

Table 6 shows the supported DDR2-533/667 MHz RDIMM populations.

Table 6. DDR2-533/667 MHz DIMM Population Guidelines

		DIMM Slots					
		Channel 1 DIMM 3	Channel 0 DIMM 3	Channel 1 DIMM 2	Channel 0 DIMM 2	Channel 1 DIMM 1	Channel 0 DIMM 1
Intel® 5100 MCH Chipset Memory Controller Interface	Empty	Empty	Empty	Empty	Single-rank	Single-rank	
	Empty	Empty	Single-rank	Single-rank	Single-rank	Single-rank	
	Single-rank	Single-rank	Single-rank	Single-rank	Single-rank	Single-rank	
	Empty	Empty	Empty	Empty	Dual-rank	Dual-rank	
	Empty	Empty	Dual-rank	Dual-rank	Dual-rank	Dual-rank	
	Dual-rank	Dual-rank	Dual-rank	Dual-rank	Dual-rank	Dual-rank	
	Empty	Empty	Dual-rank	Dual-rank	Single-rank	Single-rank	
	Empty	Empty	Single-rank	Single-rank	Dual-rank	Dual-rank	
	Dual-rank	Dual-rank	Single-rank	Single-rank	Single-rank	Single-rank	
	Dual-rank	Dual-rank	Dual-rank	Dual-rank	Single-rank	Single-rank	

Notes:

1. DIMM slots are shown as physically oriented with respect to the Intel® 5100 MCH Chipset.
2. DIMMs must be populated first in the slots furthest from the Intel® 5100 MCH Chipset.
3. Match DIMM 1 to DIMM 1, DIMM 2 to DIMM 2, and DIMM 3 to DIMM 3 between channels.

1.5 Peripherals and I/O

1.5.1 On-board Peripheral Components

Table 7 below shows the on-board peripheral components indicated in Figure 2 on page 11.



Table 7. On-board Peripheral Devices

Ref Des Location	Description	
U4A1	GbE LAN PHY	Intel® 82566DM Gigabit Ethernet PHY <ul style="list-style-type: none"> Provides 10/100/1000 LAN connection in conjunction with an integrated MAC in the ICH9R component
U2A1	PCI Video	An ATI* integrated video controller (ES1000 RN50) is located on the 32-bit, 33 MHz PCI bus and uses 32 MB DDR2 video memory.
U4E1/ U4F1	Clock Generator/ Clock Buffer	CK505 Clock Generator (ICS* ICS9LPR501) DB400 Clock Buffer
U1G2	SuperI/O*	The SIO (SMSC* SCH5027) is driven by the Low Pin Count (LPC) bus.
U1J1	Firmware Hub (FWH)	8 Mb socketed PLCC (<i>primary boot</i>)
U3D1/ U3D2	SPI Flash	16 Mb with dual footprint for 8 or 16-pin devices
SW2J1	Power Button	
SW2J2	Reset Button	
SW5A1	Wake Button	
U1H2	Port 80 Logic Device	Xilinx* EPM7064 FPGA
DS1H1/ DS1J1	Port 80 Code Display	Two digit, 7-segment LED character displays
U1D1	Speaker	Board-mounted piezoelectric speaker
XB2J1	Battery	3 V Lithium CR2032 coin battery for Real Time Clock (RTC) and CMOS memory backup

1.5.2 On-board I/O Connections

Table 8 below shows the on-board I/O connections indicated in Figure 2 on page 11.

Table 8. On-board I/O Connections (Sheet 1 of 2)

Ref Des Location	Description	
J4F2	Serial ATA Port 0	The CRB provides a total of six SATA 2 interface connectors.
J4G2	Serial ATA Port 1	
J4G3	Serial ATA Port 2	
J3G2	Serial ATA Port 3	
J3G1	Serial ATA Port 4	
J3F1	Serial ATA Port 5	
J1F1	USB* Port 4 and 5 Header	These are 10-pin, dual-row headers that route two USB* Ports per header to an external USB* connector. In conjunction with the rear panel USB* Ports there are a total of eight USB* ports.
J1E4	USB* Port 6 and 7 Header	
J1G1	Floppy Connector	This is a 34-pin, dual-row header. The control interface comes from the SuperI/O*. Configuration of the floppy drive interface is provided by the BIOS Setup program.
J1J2	Front Panel Header	This is a 10-pin, dual-row header. It provides pins for: <ul style="list-style-type: none"> Power Switch Reset Switch Power-on LED HD Status LED

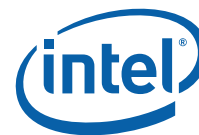


Table 8. On-board I/O Connections (Sheet 2 of 2)

Ref Des Location	Description	
J9E1	CPU0 Fan Header	4-wire with PWM fan speed control.
J5F2	CPU1 Fan Header	
J7E2	MCH Fan Header	3-wire with PWM fan speed control.
J3H1	AUX0 Fan Header	3-wire with no fan speed control.
J7B1	AUX1 Fan Header	
J1E1	LPC Debug Port	This is a 60-pin card edge connector for the LPC bus. <ul style="list-style-type: none"> Aligned with PCI connector (used for Intel validation only).
J1T2	XDP Connector	This is a bottom-side 60-pin connector for the ITP-XDP debug of the processors. XDP stands for Extended Debug Port and can be used for debugging and testing components on the board.
J5B1	LAN JTAG Connector	Dedicated JTAG connector to the LAN PHY device

1.5.3 Expansion I/O Slots

Table 9 below shows the expansion I/O slots indicated in Figure 2 on page 11.

Table 9. Expansion I/O Slots

Ref Des Location	Description	
J3B2	PCI Express* Port A (x8)	All of the PCI Express* Ports are <i>PCI Express* Base Specification</i> , Rev. 1.0a compliant and employ physical x8 connectors regardless of whether they are x1, x4, or x8. This enables use of x8 cards even if actual bandwidth and functionality is less.
J4B1	PCI Express* Port B (x8)	
J3B1	PCI Express* Port C (x8)	
J2B2	PCI Express* Port D (x4)	
J2B1	PCI Express* Port E (x1)	
J1B1	PCI 32-bit/33 MHz	The CRB provides one PCI slot that is <i>PCI Local Bus Specification</i> , Rev. 2.3 compliant. <ul style="list-style-type: none"> 120 MB/s throughput

Warning: PCI Hot Plug* is *not* supported on this platform.

1.5.4 Rear Panel I/O Connectors

Table 10 below shows the rear panel I/O connectors indicated in Figure 2 on page 11.

Table 10. Rear Panel I/O Connectors (Sheet 1 of 2)

Ref Des Location	Description	
J7A1	USB* Ports 0 and 1 Connector	Each of the two rear panel connectors provides two dual-stacked USB* 2.0 ports. In conjunction with the on-board USB* Ports there are a total of eight USB* ports. Two USB* modes: <ul style="list-style-type: none"> UHCI EHCI Refer to the <i>82801x I/O Controller Hub (ICH9) – External Design Specification (EDS)</i> for details on USB* operating modes.
J6A1	USB* Ports 2 and 3 Connector	
	RJ-45 LAN Connector	Provides standard 10/100/1000 ethernet connection. NOTE: This is a stacked connector that also provides two LED indicators and two USB* ports.



Table 10. Rear Panel I/O Connectors (Sheet 2 of 2)

Ref Des Location	Description	
J5A1	VGA Connector	The rear panel has one VGA connector for the on-board ATI* video controller. <ul style="list-style-type: none">• 15-pin male D-sub connector• VGA port can be disabled
J9A1	PS/2* Keyboard and Mouse Connectors	The rear panel provides two stacked circular DIN PS/2* connectors. Turn off power before a keyboard or mouse is connected or disconnected. <ul style="list-style-type: none">• Keyboard connector on bottom (nearest board)• Mouse connector on top
J8A1	Serial COM Port Connector	The rear panel provides a serial COM1 port. <ul style="list-style-type: none">• RS232E 9-pin male D-sub connector
J7A2	Parallel Port Connector	The rear panel provides one parallel port. <ul style="list-style-type: none">• 25-pin female D-sub connector (located above COM port)

1.5.5 On-board Power Connections

Table 11 below shows the on-board power connectors indicated in Figure 2 on page 11.

Table 11. On-board Power Connections

Ref Des Location	Description	
J4K1	SSI 8-pin Power Connector	Provides 12 V (+12V1 and +12V2) voltages from the external power supply that feed the VRD0 and VRD1 CPU regulators.
J1K4	SSI 24-pin Power Connector	Provides 12 V (+12V3), -12 V, 5 V, 3.3 V, 5 V standby voltages from the external power supply.
J3K1	SSI 4-pin Power Connector	Provides 12 V (+12V4) voltage from the external power supply.

Note: These power connectors comply with the *Server System Infrastructure (SSI) Specification for Rack-Optimized Servers* Version 2.11.

1.6 Hardware Server Management Features

The CRB provides several server management features like voltage, temperature, and fan tachometer monitoring. It also provides control for overall protection of the platform.

1.6.1 Voltage Monitoring

The CRB uses the SuperI/O* device and Andigilog* ASC7621 device to monitor the following voltages:

- VCC_CPU0
- VCC_CPU1
- 1.2 / 1.1 V (P_VTT)
- 1.5 V (1_5V)
- 1.8 V (P1V8)
- 3.3 V (VCC3)
- 5.0 V (VCC)
- 12 V (+12VPC)



1.6.2 Temperature and Fan Tachometer Monitoring

The CRB uses the Andigilog* ASC7621 device to monitor the following die temperatures and corresponding fan tachometers:

- CPU0
- CPU1
- Intel® 5100 MCH Chipset

Note: For more detail on thermal control, see [Appendix B, “Thermal Signal Overview”](#).

1.6.3 Watch Dog Timer (WDT)

The Watch Dog Timer (WDT) provides output to a red LED indicator (CR2J1) and optionally to the System Reset circuitry. Refer to jumper J2J2 description for more details.

1.6.4 Sleep States and Soft Off

ACPI 1.0, 2.0, 3.0 APM compliant.

- S0, S3, S4, and S5 sleep states
- Soft off capability (S5)
 - Operating system dependent
 - Requires a complete OS boot when the system wakes

1.6.5 Wake Events

- Power switch

1.6.6 Hardware Clock Throttling

- Provides support for hardware clock throttling through STPCLK#

1.6.7 Fan Power Connection

- Two processor fan connectors (CPU0 and CPU1)
- One fan for Intel® 5100 MCH Chipset (FAN1)
- Two auxiliary fan connectors (AUXFAN)

1.6.8 On Board Switches

The CRB has the following momentary push button switches to provide state control:

- Power
- Reset
- Wake (this button is not functional)

1.7 Supported Operating Systems

The CRB is validated with the following operating systems:

- MS-DOS*



- BIOS supports the installation and booting of the MS-DOS* 6.22 operating system
- Linux*
 - BIOS supports the installation and booting of both Red Hat* Enterprise Linux* 5 Advanced Server (IA-32) and 5 Advanced Server (Intel® 64/IA-32e) and Linux* MontaVista* Pro and MontaVista* Carrier.
- QNX*
- Microsoft Windows XP SP2*
- Microsoft Windows XP SP2 x64*
- Microsoft Embedded XP*
- Microsoft Windows Vista*
- Microsoft Windows Server 2003 R2 Enterprise Edition*
- Microsoft Windows Server 2003 R2 Enterprise Edition x64*
- Wind River* VxWorks*
- Free BSD

Note: Operating systems are to be purchased by the customer and are not distributed with this development kit.

1.8 Supported BIOS Features

The BIOS has an AMI* core with the following components:

Table 12. Supported BIOS Features (Sheet 1 of 2)

Name of BIOS component	Description
PCI 2.3	The BIOS is <i>PCI Local Bus Specification, Rev. 2.3</i> compliant.
SCSI boot	The BIOS supports booting from a plug in SCSI device, if present.
LAN boot	The BIOS supports booting from a plug in Ethernet device, if present.
Fiber-channel boot	The BIOS supports booting from a plug in fiber-channel device, if present.
Serial ATA boot	The BIOS supports booting from a Serial ATA hard drive.
CD-ROM boot	The BIOS supports booting from a Serial ATA CD-ROM.
USB* boot	The BIOS supports booting from a USB* boot device.
Floppy boot	The BIOS supports booting from a floppy drive
PXH	The BIOS initializes and supports a PXH riser card if it is plugged into a PCI Express* slot on the CRB.
PCI Express*	The BIOS initializes and supports PCI Express* cards that are plugged into the CRB.
USB*	The BIOS supports the USB* 1.1 and USB* 2.0 interfaces.
CMOS Header	The BIOS supports recognizing the clear CMOS header.
ECC support	The BIOS detects and supports ECC memory.
Watchdog Timer (WDT)	The BIOS provides watch dog timer support.



Table 12. Supported BIOS Features (Sheet 2 of 2)

Name of BIOS component	Description
APIC and ACPI Control	The ability to enable and disable APIC and ACPI is present in the BIOS. Control is also required for OS plug-and-play features. The BIOS supports the following ACPI states: <ul style="list-style-type: none"> • G0 (S0) - Working • G1 (S3) - Sleeping [Suspend to RAM] • G2 (S5) - Soft Off The BIOS supports C0, C1, C1E and C2 states.
Patch Update Mechanism	The Patch Update Mechanism is used to upgrade and/or install micro-code patches into BIOS is supported.
FSB Error Handling Control	The BIOS has the capability to enable and/or disable FSB error handling.

1.8.1 ACPI

ACPI gives the OS direct control over the power management and plug-and-play functions of the platform. The use of ACPI with this CRB requires an OS that provides full ACPI support.

Table 13. Effects of Pressing the Power Switch

If the System is in this state...	...and the power switch is pressed for	...the system enters this state
Off (ACPI G2/G5 - soft off)	Less than four second	Power-on (ACPI G0 - working state)
On (ACPI G0 - working state)	Less than four seconds	Soft-off/Standby (ACPI G1 - sleeping state)
On (ACPI G0 - working state)	More than four seconds	Fail Safe Power-off (ACPI G2/G5 - soft off)
Sleep (ACPI G1 - sleeping state)	Less than four seconds	Wake-up (ACPI G0 - working state)
Sleep (ACPI G1 - sleeping state)	More than four seconds	Power-off (ACPI G2/G5 - soft off)

1.8.1.1 System States and Power States

Under ACPI, the OS directs all system and device power state transitions by managing devices in and out of low-power states based on user preferences and knowledge of how devices are being used by applications. Devices that are not being used can be turned off. The OS uses information from applications and user settings to put the system as a whole into a low-power state.



1.9 Thermal and Mechanical Components

Table 14. Thermal and Mechanical Components

Name	Description
Standard Processor Thermal Solution Mounting	The CRB supports full power processor thermal solution mounting provisions as delineated in the processor's Thermal/Mechanical Design Guidelines.
Processor Fan	The CRB provides fan headers for the processors that includes 12V with tachometer.
Intel® 5100 MCH Chipset Heatsink	The CRB supports the Intel® 5100 MCH Chipset heatsink mounting requirements.
Active Intel® 5100 MCH Chipset Heatsink	The CRB provides mounting provisions and a fan header for an active Intel® 5100 MCH Chipset thermal solution.
Power Measurement	The CRB provides a means for power measurement for the following components: <ul style="list-style-type: none">• Processor• Intel® 5100 MCH Chipset• DDR2
Fan Headers	The CRB provides five fan headers.
Solder Down Anchors	The CRB provides solder down anchors for the Intel® 5100 MCH Chipset and ICH9R. The Intel® 5100 MCH Chipset includes active heatsink mounting holes.

1.9.1 Heatsinks

The processors use an active heatsink design with built-in fans, and the Intel® 5100 MCH Chipset uses passive heatsinks only. The active heatsinks are powered by the platform. For details on the processor heatsinks please refer to the appropriate Thermal/Mechanical Design Guidelines, specifically sections describing the Common Enabling Kit (CEK) heatsinks. The chipset's passive heatsinks require no power.

1.9.2 Physical and Mechanical Board Specifications

The size of the Development Kit's CRB is approximately 12.5 inches long by 13.0 inches wide. The CRB provides non-plated mounting holes with top and bottom ground rings.

The CRB must have a custom standoff layout which lines up with the perimeter mounting holes and the eight CPU mounting holes. A standard SSI chassis would require some modifications to match this hole pattern. The heatsinks provided in the power-on kit require chassis-attach, and all CRB mounting holes must be used to comply with the validated shock and vibe configuration.

If modifications cannot be made to a standard SSI chassis, the heatsinks could be attached to the eight CPU mounting standoffs, and the rest of the perimeter mounting holes could float. Please note that this is not a validated shock and vibe configuration and the system should not be shipped after the heatsinks are attached. Alignment issues with the CRB and chassis may occur in the PCI and I/O area.

The last option is to attach the perimeter mounting holes to the chassis, and leave the CPU mounting holes floating in an SSI or Extended ATX chassis. The CPU heatsinks must be attached to the CRB by screwing into loose standoffs so that the CEK springs are compressed enough to apply force to the thermal interface material. Again please note that this is not a validated shock and vibe safe configuration. Take extreme caution when moving the system, and if possible, assemble the system at the location it will be used. Never ship the chassis if this configuration is used.



Warning: For any chassis standoffs that cannot be removed, apply Kapton tape or another insulator to prevent against board shorts.

1.10 Debug Ports

The CRB provides an XDP header (J1T2) that can be used to debug the processor and the Intel® 5100 MCH Chipset.

1.11 Real Time Clock (RTC), CMOS SRAM, and Battery

A coin-cell battery (XB2J1 type CR2032) powers the real time clock (RTC) and CMOS memory. The battery has an estimated life of three years when it is not plugged into a wall socket. When the platform is plugged in, the standby current from the power supply extends the life of the battery. The clock is accurate to ± 13 minutes/year at 25 °C with 3.3 VSB applied.

Note: If the battery and AC power fail, at boot-up the system will prompt you to either load optimized defaults or enter BIOS and manually adjust your BIOS settings.

2.0 Platform Setup

Caution: The following precautions will help promote safe and proper operation of the Customer Reference Board (CRB):

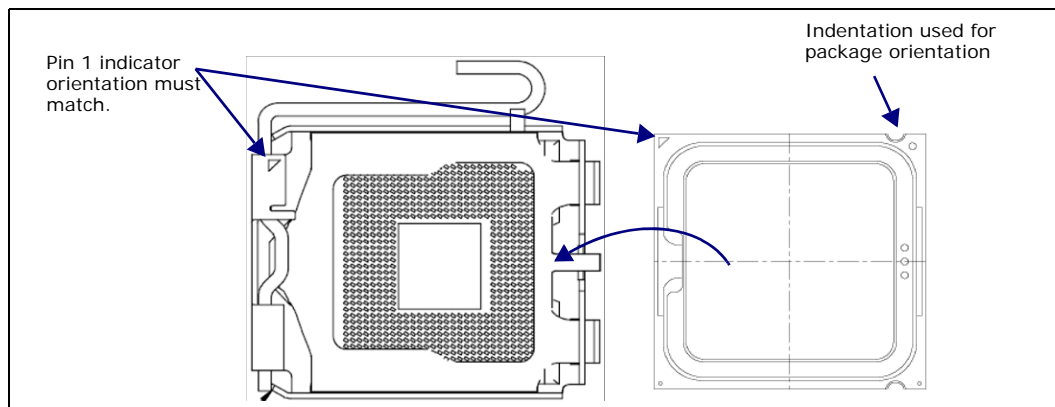
- Before connecting power make sure that the CRB (Customer Reference Board) is either mounted in a chassis, or is on a non-conductive surface to avoid accidental shorts.
- The CRB is susceptible to damage by electrostatic discharge (ESD) that may result in platform failure or unpredictable operation. Make sure you are in a static-free work environment before removing components from their anti-static packaging.
- Connecting the wrong cable, or reversing a cable, may damage the CRB or device being connected. Since the CRB is not in a protective chassis, use proper care when connecting cables to the platform.

Note: The CRB comes with all jumpers correctly set and will be ready to boot.

2.1 Processor Installation

Figure 3 shows an empty Land Grid Array (LGA) socket and a properly aligned processor package.

Figure 3. LGA771 Socket and Processor (Top View)



1. Look for the indentation in the processor to properly orient it within the LGA771 socket.
2. Note that the pin 1 indicators on the socket and processor must correspond.

Note: Do *not* force the processor into the socket as it may cause damage to the package, socket, or electrical contacts. Insertion of the processor should be smooth and gentle when aligned correctly.

3. Close the socket cover and lock down the assembly with the lever. The lever should be fully captured by the retention hook to complete the processor insertion.



4. For more detail on the LGA771 socket or processor package, refer to related content on <http://www.intel.com/>. Example references include the *LGA771 Socket Mechanical Design Guide* and the *Quad-Core Intel® Xeon® Processor 5400 Series Datasheet*.

2.1.1 Attaching Heatsinks and Fans

1. The passive heatsinks for the Intel® 5100 MCH Chipset and the ICH9R should already be installed on the CRB.
2. For each of the processors, Thermal Interface Material (TIM) should be pre-applied to the Common Enabling Kit (CEK) heatsink solution. It will appear like a dry gray material located in the center position under the heatsink solution. If the heatsink solution is removed after the system is booted it will be necessary to clean the old thermal interface material off and replace it with a new TIM pad or thermal grease. Contact Intel Customer Support to get replacement TIM pads or grease.
3. Install the CEK heatsinks over each processor that has been inserted in an LGA771 socket. The heatsink mounting screws should mate with the CEK springs that are pre-mounted on the bottom side of the CRB. It is recommended to start each screw then tighten them down in a crisscross pattern.

Caution: Align heatsink solution carefully and avoid over tightening. Over tightening can result in damage to the processor, heatsink, chassis, and/or the CRB.

4. Plug CPU fans into the appropriate 4-wire connectors on the CRB. The fan for CPU0 connects to the “J9E1 CPU0 Fan Connector” on page 11 and the fan for CPU1 connects to the J5F2 CPU1 Fan Connector.

Note: Fans should be installed so that airflow is directed down into the processors.

2.2 Memory Module Plug-In

Note: Refer to Section 1.4 for memory specific information and refer to “240-pin DDR2 Module Sockets” on page 11 for DIMM locations while reading below steps.

1. Beginning with Channel 0 - DIMM 1, (the DIMM connector closest to the edge of the CRB, furthest from the Intel® 5100 MCH Chipset) line up the DIMM with the slot and make sure that the end clips are moved outward to the open position.
2. Gently push the DIMM into the socket until you hear or feel the side clips lock into the side of the DIMMs.

Continue adding memory to the system sequentially starting from Channel 0 - DIMM 1 to Channel 1 - DIMM 3 in accordance with Figure 6, “DDR2-533/667 MHz DIMM Population Guidelines” on page 13.

2.3 Peripheral Set-Up

2.3.1 Connect SATA cables

There are six Serial ATA (SATA) connectors on the CRB. Connect the cables to the appropriate drive sequentially starting from SATA Port 0 through Port 5. These six keyed connectors are located in board coordinate area 3G to 4F (see “SATA Connectors” on page 11). Intel recommends using SATA Port 0 as the boot drive.

2.3.2 Expansion Connectors

1. If necessary, connect PCI Express* add-in cards into the appropriate Port A through Port E PCI Express* slots (see “PCI Express* Slots” on page 11).



Note: All of the PCI Express* connectors on this CRB are physical x8 connectors, Port A, B, and C utilize actual x8 link widths but Port D is only x4 and Port E is only x1.

2. Connect your PCI Cards into the PCI 32/33 slot located in area 1B through 1D.

2.3.3 Rear Panel Connectors

1. Connect a USB* or PS/2* keyboard and/or mouse to the rear panel connectors (see [“Rear Panel I/O” on page 11](#)).
2. If you are using the on-board video, connect the monitor to the 15-pin VGA rear panel connector.

2.4 Connect Power

Note: Not all Kits may come with a power supply, therefore please use a standard SSI EPS12V 700 W power supply and connect as described below.

1. Insert the main 24-pin baseboard power plug into the motherboard's [J1K4 SSI 24-pin Power Connector](#) making sure that the plug clip lines up with the clip lock and the connector pins fit easily into their appropriate slots.
2. Insert the 8-pin processor power plug into the motherboard's [J4K1 SSI 8-pin Power Connector](#).
3. Insert the 4-pin +12V4 baseboard power plug into the motherboard's [J3K1 SSI 4-pin Power Connector](#).

Caution: Do *not* force the power plugs into the connectors; they should go in easily when plugged in correctly. Plugging them in incorrectly will result in severe damage to the CRB.

4. Plug in any remaining peripheral power connectors (e.g., for hard drives and disc drives).
5. Plug the AC power cable into the back of the power supply and *plug the cord into the wall once the board is setup*.

2.5 Turning On and Resetting the Board

There are two momentary push buttons on the CRB. One push button is the power-on button labeled “PWR” (see [“SW2J1 Power Button” on page 11](#)), and the other button is the reset button labeled “RESET” (see [“SW2J2 Reset Button” on page 11](#)).

Note: The power button is also used to wake a system that is in a sleep state.

Note: Refer to [“J1J2 Front Panel Header” on page 11](#) for information on case buttons and LEDs.



3.0 Technical Reference

3.1 CMOS Battery and Memory

3.1.1 CMOS Battery Replacement

1. With the board shut down but power supply still connected, remove the 3 V coin battery (CR2032) and replace with a new battery, see [“XB2J1 Battery” on page 11](#).

Warning: There is a risk of explosion if the lithium battery is replaced by an incorrect type. Dispose of used batteries according to the vendor's instructions.

Note: CMOS batteries rarely go bad, but a good indication that one is bad is that after unplugging the system and plugging it in again, you have to restore your BIOS settings and system time. This will occur every time power is removed from the power supply.

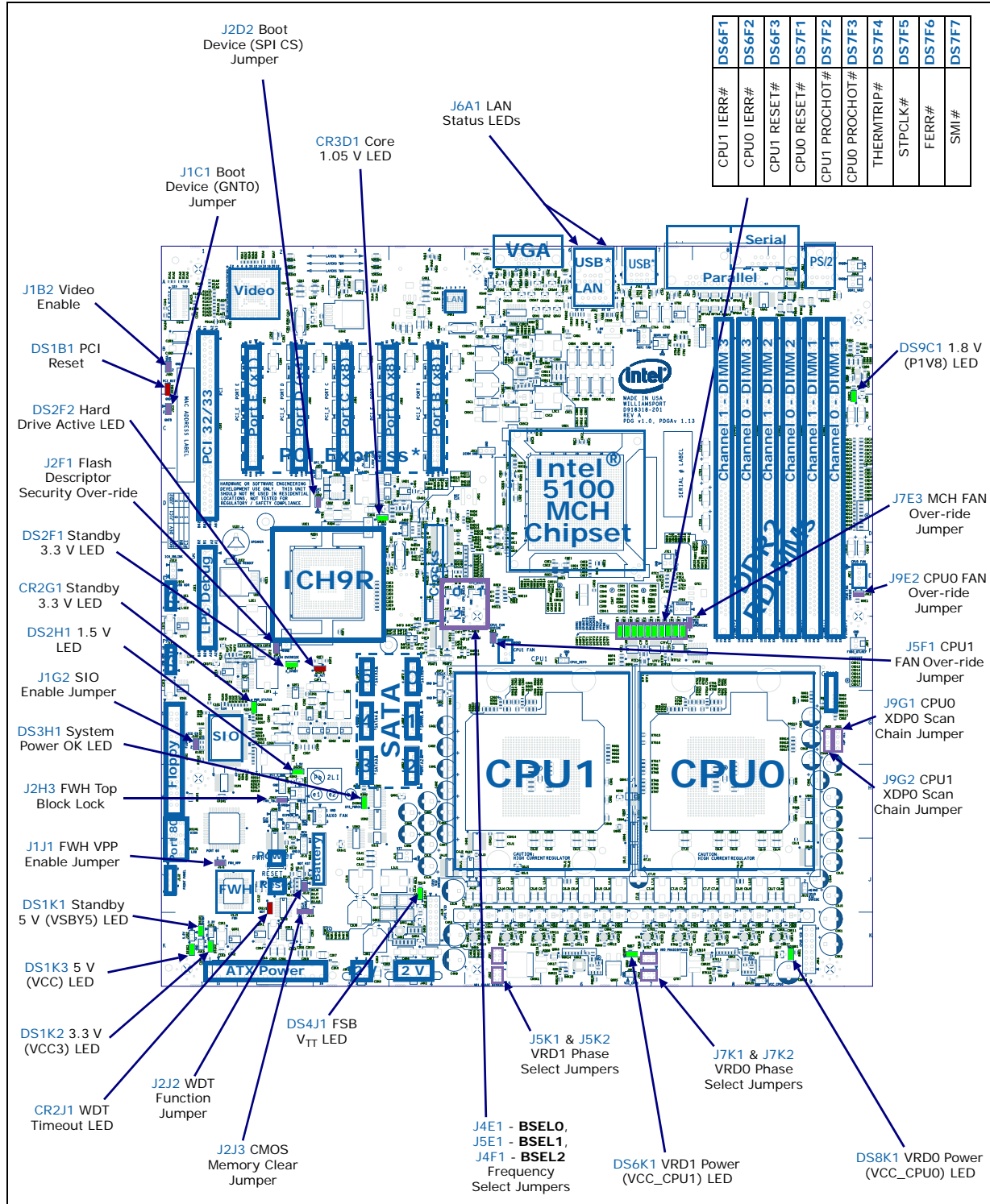
3.1.2 Clearing CMOS Memory

1. With system shutdown, unplug the power supply and/or switch the power supply to the off position (no power to board).
2. Remove jumper J2J3 from pins 1 and 2 and place it on pins 2 and 3, see [“J2J3 CMOS Memory Clear Jumper” on page 26](#).
3. Leave the jumper in place for approximately a minute.
4. Remove the jumper from pins 2 and 3 and place it back on pins 1 and 2.

Tip: If the CMOS did not clear at this point, make sure power is removed from platform and leave the jumper on pins 2 and 3 for a longer duration to assure CMOS is cleared. The board should bring up a setup prompt before booting to either go with defaults or enter BIOS.

3.2 Board Details

Figure 4. Detailed Component Layout Reference





3.2.1 Configurable Jumper Settings

Warning: Do not move jumpers when the power is on. Always turn off the power and unplug the power cord before changing a jumper setting. Otherwise, the CRB may be damaged.

Table 15 provides details on the CRB’s configurable jumper settings.

Table 15. Configurable Settings (Sheet 1 of 2)

Ref Des Location	Jumper Setting	Description†																								
J4E1	BSEL0 Select (3-pin)	FSB Frequency Select Jumpers (short pin numbers as indicated): <table border="1" style="width: 100%; border-collapse: collapse;"> <thead> <tr> <th>BSEL2 (J4F1)</th> <th>BSEL1 (J5E1)</th> <th>BSEL0 (J4E1)</th> <th>Configuration</th> </tr> </thead> <tbody> <tr> <td>2-3</td> <td>OPEN</td> <td>OPEN</td> <td>RESERVED</td> </tr> <tr> <td>2-3</td> <td>OPEN</td> <td>2-3</td> <td>RESERVED</td> </tr> <tr> <td>2-3</td> <td>2-3</td> <td>2-3</td> <td>266 MHz</td> </tr> <tr> <td>OPEN</td> <td>2-3</td> <td>2-3</td> <td>333 MHz</td> </tr> <tr> <td>1-2</td> <td>1-2</td> <td>1-2</td> <td>CPU SELECT (default)</td> </tr> </tbody> </table>	BSEL2 (J4F1)	BSEL1 (J5E1)	BSEL0 (J4E1)	Configuration	2-3	OPEN	OPEN	RESERVED	2-3	OPEN	2-3	RESERVED	2-3	2-3	2-3	266 MHz	OPEN	2-3	2-3	333 MHz	1-2	1-2	1-2	CPU SELECT (default)
BSEL2 (J4F1)	BSEL1 (J5E1)		BSEL0 (J4E1)	Configuration																						
2-3	OPEN		OPEN	RESERVED																						
2-3	OPEN		2-3	RESERVED																						
2-3	2-3		2-3	266 MHz																						
OPEN	2-3		2-3	333 MHz																						
1-2	1-2	1-2	CPU SELECT (default)																							
J5E1	BSEL1 Select (3-pin)																									
J4F1	BSEL2 Select (3-pin)																									
J9G1	CPU0 XDPO Scan Chain Isolation (4-pin)	Include or remove CPUs from XDPO scan chain: <table border="1" style="width: 100%; border-collapse: collapse;"> <thead> <tr> <th>J9G1</th> <th>J9G2</th> <th>Configuration</th> </tr> </thead> <tbody> <tr> <td>1-2 and 3-4</td> <td>1-2 and 3-4</td> <td>Both CPU0 and CPU1 Included (default)</td> </tr> <tr> <td>1-2 and 3-4</td> <td>2-3</td> <td>CPU0 Included Only</td> </tr> <tr> <td>2-3</td> <td>1-2 and 3-4</td> <td>CPU1 Included Only</td> </tr> </tbody> </table>	J9G1	J9G2	Configuration	1-2 and 3-4	1-2 and 3-4	Both CPU0 and CPU1 Included (default)	1-2 and 3-4	2-3	CPU0 Included Only	2-3	1-2 and 3-4	CPU1 Included Only												
J9G1	J9G2		Configuration																							
1-2 and 3-4	1-2 and 3-4		Both CPU0 and CPU1 Included (default)																							
1-2 and 3-4	2-3	CPU0 Included Only																								
2-3	1-2 and 3-4	CPU1 Included Only																								
J9G2	CPU1 XDPO Scan Chain Isolation (4-pin)																									
J2J3	CMOS Clear (3-pin)	Clear Battery-backed CMOS Memory: <ul style="list-style-type: none"> 1-2: Normal (default) 2-3: Clear CMOS 																								
J1B2	Video Enable (2-pin)	Enable On-board Video: <ul style="list-style-type: none"> 1-2: VGA Enabled (default) OPEN: VGA Disabled Note: A parallel 0 Ω resistor (R9M10) can force permanent enabled condition (this site is unpopulated by default).																								
J1G2	SIO Enable Jumper (2-pin)	Enable SuperI/O*: <ul style="list-style-type: none"> 1-2: SIO Enabled (default) OPEN: SIO Disabled Note: <ol style="list-style-type: none"> A parallel 0 Ω resistor (R1G10) can force permanent enabled condition (this site is unpopulated by default). SIO disabled by removing its LPC Frame signal. 																								
J1C1	Boot Device Selection (Two 2-pin headers)	Select system boot device:																								
J2D2		<table border="1" style="width: 100%; border-collapse: collapse;"> <thead> <tr> <th>GNT0 (J1C1)</th> <th>SPI_CS (J2D2)</th> <th>Configuration</th> </tr> </thead> <tbody> <tr> <td>1-2</td> <td>x</td> <td>SPI Flash Device</td> </tr> <tr> <td>OPEN</td> <td>OPEN</td> <td>Firmware Hub (FWH) Device (default)</td> </tr> <tr> <td>OPEN</td> <td>1-2</td> <td>PCI Device</td> </tr> </tbody> </table>	GNT0 (J1C1)	SPI_CS (J2D2)	Configuration	1-2	x	SPI Flash Device	OPEN	OPEN	Firmware Hub (FWH) Device (default)	OPEN	1-2	PCI Device												
GNT0 (J1C1)		SPI_CS (J2D2)	Configuration																							
1-2		x	SPI Flash Device																							
OPEN	OPEN	Firmware Hub (FWH) Device (default)																								
OPEN	1-2	PCI Device																								
J1J1	FWH VPP Enable Jumper (2-pin)	Enable Firmware Hub Programming Voltage: <ul style="list-style-type: none"> 1-2: Erase/Program Enabled (default) OPEN: Erase/Program Disabled 																								
J2H3	FWH Top Block Lock Jumper (2-pin)	Lock the Top 64 kB Block of Memory in the Firmware Hub device: <ul style="list-style-type: none"> 1-2: Locked OPEN: Unlocked (default) 																								

† Make selection by shorting only the indicated jumper pin numbers. The CRB silk-screen indicates pin 1 on the headers with an arrow ▲.



Table 15. Configurable Settings (Sheet 2 of 2)

Ref Des Location	Jumper Setting	Description†																
J2J2	WDT Function Jumper (2-pin)	Sets Watch Dog Timer Function after Timeout: <ul style="list-style-type: none"> 1–2: WDT Triggers Reset and LED (CR2J1) OPEN: WDT Triggers LED Only (<i>default</i>) 																
J9E2	CPU0 Fan Speed Over-ride (2-pin)	CPU0 Fan Operation: <ul style="list-style-type: none"> 1–2: Fan Speed Controlled by U2H2 (Andigilog* ASC7621) PWM OPEN: Fan Speed Full (<i>default</i>) 																
J5F1	CPU1 Fan Speed Over-ride (2-pin)	CPU1 Fan Operation: <ul style="list-style-type: none"> 1–2: Fan Speed Controlled by U2H2 (Andigilog* ASC7621) PWM OPEN: Fan Speed Full (<i>default</i>) 																
J7E3	MCH Fan Speed Over-ride (2-pin)	MCH Fan Operation: <ul style="list-style-type: none"> 1–2: Fan Speed Full (<i>default</i>) OPEN: Fan Speed Controlled by U2H2 (Andigilog* ASC7621) PWM 																
J2F1	Flash Descriptor Security Over-ride Strap (2-pin)	ICH9R Flash Descriptor Security: <ul style="list-style-type: none"> 1-2: Flash Descriptor Security is over-ridden OPEN: Security measures defined in the Flash Descriptor are in effect (<i>default</i>) 																
J7K2	VRD0 Phase Selection (Two 2x3 6-pin headers)	Enable or Bypass Phase 3 or 4 of VRD0 (CPU0) Power Supply:																
J7K1		<table border="1"> <thead> <tr> <th>J7K2</th> <th>J7K1</th> <th>R7K6</th> <th>Configuration</th> </tr> </thead> <tbody> <tr> <td>1–4</td> <td>1–4</td> <td>0 Ω</td> <td>5 Phases (<i>default</i>)</td> </tr> <tr> <td>1–4</td> <td>2–5 & 3–6</td> <td>Empty</td> <td>4 Phases (<i>bypass Phase 4</i>)</td> </tr> <tr> <td>2–5 & 3–6</td> <td>3–6</td> <td>Empty</td> <td>3 Phases (<i>bypass Phases 3 & 4</i>)</td> </tr> </tbody> </table>	J7K2	J7K1	R7K6	Configuration	1–4	1–4	0 Ω	5 Phases (<i>default</i>)	1–4	2–5 & 3–6	Empty	4 Phases (<i>bypass Phase 4</i>)	2–5 & 3–6	3–6	Empty	3 Phases (<i>bypass Phases 3 & 4</i>)
J7K2		J7K1	R7K6	Configuration														
1–4		1–4	0 Ω	5 Phases (<i>default</i>)														
1–4	2–5 & 3–6	Empty	4 Phases (<i>bypass Phase 4</i>)															
2–5 & 3–6	3–6	Empty	3 Phases (<i>bypass Phases 3 & 4</i>)															
J5K1	VRD1 Phase Selection (Two 2x3 6-pin headers)	Enable or Bypass Phase 3 or 4 of VRD1 (CPU1) Power Supply:																
J5K2		<table border="1"> <thead> <tr> <th>J5K1</th> <th>J5K2</th> <th>R4K8</th> <th>Configuration</th> </tr> </thead> <tbody> <tr> <td>1–4</td> <td>1–4</td> <td>0 Ω</td> <td>5 Phases (<i>default</i>)</td> </tr> <tr> <td>1–4</td> <td>2–5 & 3–6</td> <td>Empty</td> <td>4 Phases (<i>bypass Phase 4</i>)</td> </tr> <tr> <td>2–5 & 3–6</td> <td>3–6</td> <td>Empty</td> <td>3 Phases (<i>bypass Phases 3 & 4</i>)</td> </tr> </tbody> </table>	J5K1	J5K2	R4K8	Configuration	1–4	1–4	0 Ω	5 Phases (<i>default</i>)	1–4	2–5 & 3–6	Empty	4 Phases (<i>bypass Phase 4</i>)	2–5 & 3–6	3–6	Empty	3 Phases (<i>bypass Phases 3 & 4</i>)
J5K1		J5K2	R4K8	Configuration														
1–4		1–4	0 Ω	5 Phases (<i>default</i>)														
1–4	2–5 & 3–6	Empty	4 Phases (<i>bypass Phase 4</i>)															
2–5 & 3–6	3–6	Empty	3 Phases (<i>bypass Phases 3 & 4</i>)															

† Make selection by shorting only the indicated jumper pin numbers. The CRB silk-screen indicates pin 1 on the headers with an arrow ▲.

3.2.2 LED Indicators

Table 16 provides details on the CRB's LED indicators.

Table 16. LED Indicators (Sheet 1 of 2)

Ref Des Location	LED Display Status	Description (LED "ON" State)†
DS1K3	5 V Voltage	VCC is powered.
DS1K1	5 V Standby Voltage	VSBY5 is powered.
DS1K2	3.3 V Voltage	VCC3 is powered.
CR2G1	3.3 V Standby Voltage	VSBY3_3 is powered.
DS2F1	3.3 V Standby Voltage	VSBY3_3 is powered (<i>VSBY5 must also be powered</i>).
DS9C1	1.8 V Voltage	P1V8 is powered (<i>VSBY5 must also be powered</i>).
DS2H1	1.5 V Voltage	1_5V is powered (<i>VCC must also be powered</i>).
DS8K1	VRD0 Voltage	VCC_CPU0 is powered (<i>VCC3 must also be powered</i>).
DS6K1	VRD1 Voltage	VCC_CPU1 is powered (<i>VCC3 must also be powered</i>).
DS4J1	V _{TT} Voltage	P_VTT FSB termination voltage is powered (<i>VCC3 must also be powered</i>).

† The LED color is green unless specifically noted otherwise.



Table 16. LED Indicators (Sheet 2 of 2)

Ref Des Location	LED Display Status	Description (LED “ON” State) [†]																	
CR3D1	1.05 V Core Voltage	V_1P05_CORE is powered.																	
DS3H1	System Power OK	SYS_PWR_OK_DELAY signal is active																	
DS1B1	PCI Reset	PCIRST signal is active (<i>red</i>).																	
CR2J1	WDT Timeout	Watch Dog Timer timeout (SIO_WDT_TOUT) is active (<i>red</i>).																	
DS2F2	Hard Drive Active	HD_ACT_LED signal is active (<i>red</i>).																	
J6A1	LAN Link Status (Left Green LED) LAN Rate Status (Right Green/Yellow LED)	LAN Link and Activity Indication:																	
		<table border="1"> <thead> <tr> <th>LED</th> <th>State</th> <th>Condition</th> </tr> </thead> <tbody> <tr> <td rowspan="3">Left</td> <td>Off</td> <td>LAN link is not established.</td> </tr> <tr> <td>On - Green</td> <td>LAN link is established.</td> </tr> <tr> <td>Blinking - Green</td> <td>LAN activity is occurring.</td> </tr> <tr> <td rowspan="3">Right</td> <td>Off</td> <td>10 Mb/s data rate</td> </tr> <tr> <td>On - Green</td> <td>100 Mb/s data rate</td> </tr> <tr> <td>On - Yellow</td> <td>1000 Mb/s data rate</td> </tr> </tbody> </table>	LED	State	Condition	Left	Off	LAN link is not established.	On - Green	LAN link is established.	Blinking - Green	LAN activity is occurring.	Right	Off	10 Mb/s data rate	On - Green	100 Mb/s data rate	On - Yellow	1000 Mb/s data rate
		LED	State	Condition															
		Left	Off	LAN link is not established.															
			On - Green	LAN link is established.															
			Blinking - Green	LAN activity is occurring.															
Right	Off	10 Mb/s data rate																	
	On - Green	100 Mb/s data rate																	
	On - Yellow	1000 Mb/s data rate																	
Note: Both LEDs are physically located in the J6A1 RJ-45 connector housing.																			
DS6F1	CPU1 IERR#	CPU1 Internal Error output signal is active (<i>red</i>).																	
DS6F2	CPU0 IERR#	CPU0 Internal Error output signal is active (<i>red</i>).																	
DS6F3	CPU1 RESET#	CPU1 Reset input signal (FSB1_CPURST) is active (<i>red</i>).																	
DS7F1	CPU0 RESET#	CPU0 Reset input signal (FSB0_CPURST) is active (<i>red</i>).																	
DS7F2	CPU1 PROCHOT#	CPU1 Processor Hot output signal is active.																	
DS7F3	CPU0 PROCHOT#	CPU0 Processor Hot output signal is active.																	
DS7F4	THERMTRIP#	Either CPU's Thermal Trip output signal is active (<i>red</i>).																	
DS7F5	STPCLK#	Either CPU's Stop Clock input signal is asserted (<i>red</i>).																	
DS7F6	FERR#	Either CPU's Floating-point Error/Pending Break Event output signal is asserted (<i>red</i>).																	
DS7F7	SMI#	Either CPU's System Management Interrupt input signal is asserted (<i>red</i>).																	

[†] The LED color is green unless specifically noted otherwise.

3.3 Connectors

Warning: Only the following connectors have over-current protection: back panel USB*, front panel USB*, and PS/2* connector.

The other internal connectors are not over-current protected and should connect only to devices that go inside a computer's chassis, such as fans and internal peripherals. Do not use these connectors to power devices that are external to a computer's chassis. A fault in the load presented by the external devices can damage the computer, the power cable, and the external devices. This section describes the connectors.

3.3.1 Fan Connectors

For fan connector location details see “On-board I/O Connections” on page 14”.



Table 17. 4-Wire Fan Connectors (CPU0 and CPU1)

Pin	Signal Name
1	GND
2	+12 V
3	Tach
4	PWM Control

Table 18. 3-Wire Fan Connectors (MCH, AUX0, and AUX1)

Pin	Signal Name
1	GND ¹
2	+12 V
3	Tach

Notes:

1. Optional control signal on MCH Connector if Fan Over-ride Jumper is removed

3.3.2 Power Supply Connectors

The CRB has three power supply connectors. The main 24-pin power connector, the 8-pin processor power connector, and an additional 4-pin +12 V power connector. The power supply connectors conform to the SSI EPS12V specification.

Table 19. 24-pin Main Power Connector Pins (Top-View)

Signal Name	Pin		Signal Name
+3.3 V	13	1	+3.3 V
-12 V	14	2	+3.3 V
GND	15	3	GND
PS_ON	16	4	+5 V
GND	17	5	GND
GND	18	6	+5 V
GND	19	7	GND
RSVD	20	8	PWR_OK
+5 V	21	9	+5 V Standby (5VSB)
+5 V	22	10	+12 V (+12V3)
+5 V	23	11	+12 V (+12V3)
GND	24	12	+3.3 V

Table 20. 8-pin Processor Power Connector Pins (Top-View)

Signal Name	Pin		Signal Name
+12 V (+12V1)	5	1	GND
+12 V (+12V1)	6	2	GND
+12 V (+12V2)	7	3	GND
+12 V (+12V2)	8	4	GND



Table 21. 4-pin +12 V Power Connector Pins (Top-View)

Signal Name	Pin		Signal Name
+12 V (+12V4)	3	1	GND
+12 V (+12V4)	4	2	GND

Note: Connector required on 700 W and greater power supplies.

3.3.3 Front Panel Connector

This section describes the functions of the front panel connector. Table 22 lists the signal names and descriptions on the front panel connector.

Table 22. 9-pin Front Panel Connector Pins (Top-View)

Description	Signal Name	Pin		Signal Name	Description
HDD Activity LED Anode	FP_PU1	1	2	HD_ACT_LED_N	HDD Activity LED Cathode
Power LED Anode	FP_PU2	3	4	FRNTPNL_PWR_LED	Power LED Cathode
Power Button Pin 1	FP_PD1	5	6	FP_PWR_BTN_N	Power Button Pin 2
Reset Button Pin 1	FP_RST_BTN_N	7	8	FP_PD2	Reset Button Pin 2
	GND	9	10	N/A	

3.4 Memory Resources

Detailed memory information for addressable memory and memory maps can be found in the *Intel® 5100 Memory Controller Hub Chipset Datasheet*.

3.5 Interrupts

Interrupts can be routed through the I/O xAPIC and supports a total of 24 interrupts. The I/O xAPIC is supported by Microsoft Windows XP*. Table 23 provides the interrupts and their correlating functions.

Table 23. I/O xAPIC Interrupts (Sheet 1 of 2)

IRQ	System Resource
NMI	I/O channel check
0	Reserved, interval timer
1	Reserved, keyboard buffer full
2	Reserved, cascade input from slave PIC
3	User available
4	COM1 ¹
5	User available
6	Diskette drive
7	LPT1 ¹
8	Real-time clock
9	User available

Notes:

1. Default but can be changed to another IRQ.
2. Available in APIC mode only.



Table 23. I/O xAPIC Interrupts (Sheet 2 of 2)

IRQ	System Resource
10	User available
11	User available
12	On-board mouse port (if present, else available)
13	Reserved, math coprocessor
14	Primary Serial ATA
15	Secondary Serial ATA
16	User available (through PIRQA) ²
17	User available (through PIRQB) ²
18	User available (through PIRQC) ²
19	User available (through PIRQD) ²
20	User available (through PIRQE) ²
21	User available (through PIRQF) ²
22	User available (through PIRQG) ²
23	User available (through PIRQH) ²

Notes:

1. Default but can be changed to another IRQ.
2. Available in APIC mode only.

3.6 PCI Conventional Interrupt Routing Map

This section describes interrupt sharing and how the interrupt signals are connected between the PCI Conventional bus connectors and on-board PCI Conventional devices. The *PCI Local Bus Specification*, Rev. 2.3 describes how interrupts can be shared between devices attached to the PCI Conventional bus. In most cases, the small amount of latency added by interrupt sharing does not affect the operation or throughput of the devices. In some special cases where maximum performance is needed from a device, a PCI Conventional device should not share an interrupt with other PCI Conventional devices. Use the following information to avoid sharing an interrupt with a PCI Conventional add-in card.

Table 24. PCI Interrupt Routing Map PCI Interrupt Source

	Intel® 5100 MCH Chipset PIRQ Signal Name			
	PIRQA#	PIRQB#	PIRQC#	PIRQD#
PCI bus connector 1	INTA	INTB	INTC	INTD

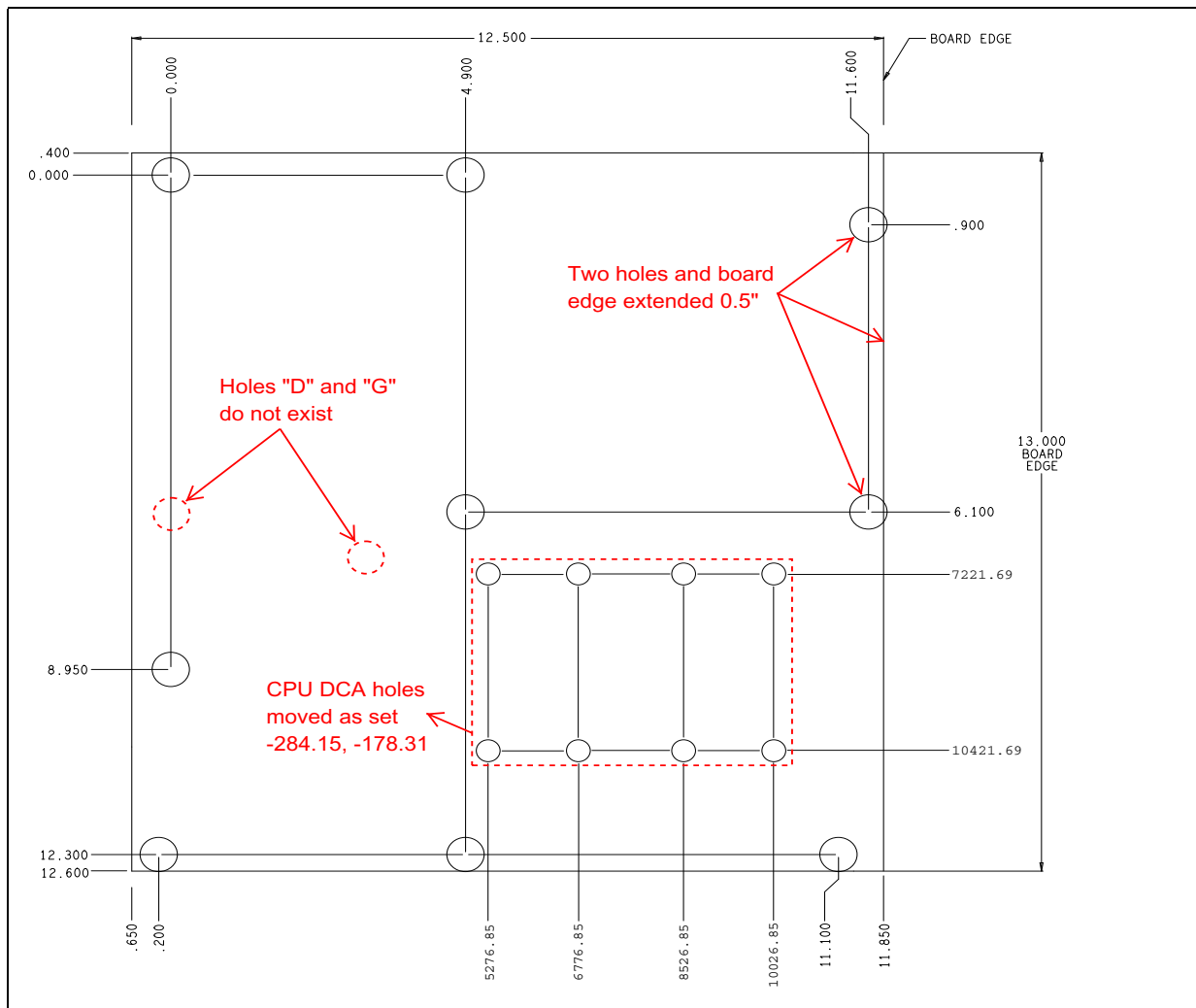
3.7 Mechanical Considerations

3.7.1 Form Factor

The CRB essentially fits a custom form factor chassis. Figure 5 illustrates the mechanical form factor for the CRB. Dimensions are given in inches. The outer dimensions are 12.50 inches by 13.0 inches, which means that the CRB is actually a half inch wider measuring across the back panel than the Extended ATX specification. The location of the I/O connectors and mounting holes do not necessarily correlate with the specification either.



Figure 5. Form Factor





4.0 Overview of BIOS Features

4.1 Introduction

The BIOS is stored in the Firmware Hub (FWH) and can be updated manually or by using a BIOS flash programming tool. If SPI flash programming is necessary, contact your Intel sales representative about the SPI programming guide for ICH9R.

4.1.1 Updating the BIOS by Manually Reprogramming

In order to change the BIOS FWH chip, see “U1J1 Firmware Hub” on page 11, without damaging the pins, use an EPROM chip removal tool. Remove the BIOS chip by inserting the pinchers of the tool in each open corner of the socket, close the pinchers around the chip, and pull the chip out carefully. Use a standard off-the-shelf EPROM programming tool to update the firmware, and reinsert the chip making sure to properly align the package prior to gently pressing it into place.

4.1.2 Updating the BIOS with a Flash Programming Tool

The user is able to update the BIOS image on the Quad-Core and Dual-Core Intel® Xeon® Processor 5000 Sequence and Intel® 5100 Memory Controller Hub Chipset CRB with a utility called AFUDOS which is a DOS utility.

1. Create a DOS bootable USB thumb drive in order to update the BIOS via this DOS utility. This link gives instructions on how to create the bootable DOS thumb drive: http://www.thepcspy.com/articles/hardware/bootable_usb_flash_drive.
2. Install the ROM burner application from American Megatrends Inc. (AMI) which is called “AFUDOS.EXE.” Here is the link for the DOS update utility from AMI called AFUDOS: <http://www.ami.com/support/bios.cfm>.
3. Copy both AFUDOS.EXE and the new BIOS ROM image onto the DOS bootable USB drive.
4. Once you have booted the platform from the USB thumb drive, update the BIOS image with the following command (the usage for this application is):
AFUDOS /ifilename.rom /pbnc

4.2 Overview

The BIOS displays a message during POST identifying the type of BIOS and a revision code.

The BIOS Setup program can be used to view and change the BIOS settings for the CRB. The BIOS Setup program is accessed by pressing the <DELETE> key after the POST test and memory test begin and before the operating system begins to boot. The menu bar is shown in Figure 6.

Figure 6. Menu Bar

```
<MAIN> - <ADVANCED> - <PCIPnP> - <BOOT> - <SECURITY> - <CHIPSET>--<EXIT>
```



Table 25 lists the BIOS Setup program menu features.

Table 25. BIOS Setup Program Menu Bar

Main	Advanced	PCI/PnP	Boot	Security	Chipset	Exit
Displays processor and memory configurations	Configures advanced features and settings	Sets up PCI and PCI Express*	Selects boot options and configurations	Sets passwords and security features	Configures different major components	Saves or discards changes to setup program options

Table 26. BIOS Setup Program Function Keys

BIOS Setup Program Function Key	Description
< or >	Selects a different menu screen (moves the cursor left or right)
^ or v	Selects an item (moves the cursor up or down)
Enter	Executes command or selects the submenu
F9	Load the optimal default configuration values for the current menu
F7	Discard changes
F8	Load fail safe defaults
F10	Save the current values and exits the BIOS Setup program
ESC	Exits the menu

4.3 Resource Configuration

4.3.1 PCI Auto-configuration

The BIOS automatically configures PCI devices. Currently on the CRB, there is a 32/33 PCI add-in card socket. Auto-configuration lets a user insert or remove PCI cards without having to manually configure the system. When a user turns on the system after adding a PCI card, the BIOS automatically configures interrupts, the I/O space, and other system resources. Any interrupts set to AVAILABLE in setup are considered to be available for use by the add-in card.

4.4 System Management BIOS (SMBIOS)

SMBIOS is a Desktop Management Interface (DMI)-compliant method for managing computers in a managed network.

The main component of SMBIOS is the Management Information Format (MIF) database, which contains information about the computing system and its components. Using SMBIOS, a system administrator can obtain the system types, capabilities, operational status, and installation dates for system components. The MIF database defines the data and provides the method for accessing this information. The BIOS enables applications such as third-party management software to use SMBIOS. The BIOS stores and reports the following SMBIOS information:

- BIOS data, such as the BIOS revision level
- Fixed-system data, such as peripherals, serial numbers, and asset tags
- Resource data, such as memory size, cache size, and processor clock frequency
- Dynamic data, such as event detection and error logging



4.5 Legacy USB* Support

Legacy USB* support enables USB* devices to be used even when the operating system's USB* drivers are not yet available. Legacy USB* support is used to access the BIOS Setup program and to install an operating system that supports USB*.

Legacy USB* support operates as follows:

1. When you apply power to the computer, legacy support is disabled.
2. POST begins.
3. Legacy USB* support is enabled by the BIOS allowing you to use a USB* keyboard to enter and configure the BIOS Setup program and the maintenance menu.
4. POST completes.
5. The operating system loads. While the operating system is loading, USB* keyboards and mice are recognized and may be used to configure the operating system.

After the operating system loads the USB* drivers, all legacy and non-legacy USB* devices are recognized by the operating system, and legacy USB* support from the BIOS is no longer used.

To install an operating system that supports USB*, follow the operating system's installation instructions.

4.6 Language Support

The BIOS Setup program and help messages are supported in US English.

4.7 Boot Options

In the BIOS Setup program, the user can choose to boot from a diskette drive, hard drives, CD-ROM, USB* device, or a network. The default setting is for the floppy to be the first and the hard drive to be the second.

4.7.1 CD-ROM Boot

Booting from CD-ROM is supported in compliance to the El Torito bootable CD-ROM format specification. Under the Boot menu in the BIOS Setup program, ATAPI CD-ROM is listed as a boot device. Boot devices are defined in priority order. Accordingly, if there is not a bootable CD in the CD-ROM drive, the system attempts to boot from the next defined drive. Refer to [Section 4.7.4, "Changing the Boot Device" on page 37](#) for how to change this setting.

4.7.2 Network Boot

A network can be selected as a boot device using the on-board gigabit NIC or using a network add-in card plugged into a PCI slot. This selection allows booting from a network add-in card with a remote boot ROM installed.

In order to boot from the LAN, enter the BIOS, and select LAN boot as your first boot device. Refer to [Section 4.7.4, "Changing the Boot Device" on page 37](#) for how to change this setting.



4.7.3 USB* Boot

In order to boot from a USB* device, enter the BIOS, and select USB* boot as your first boot device. The USB* device should be set as the first priority device under Removable devices, and the USB* device should be selected as the priority device in the Boot Priority menu.

Note: Have the USB* device plugged in when changing this BIOS setting.

4.7.4 Changing the Boot Device

Pressing the <DELETE> key during POST causes the BIOS menu to be displayed. Using your arrow keys, move over to <BOOT>, and then arrow down to <Boot Device Priority>, and then select which device you would like to boot first and second.

Note: Please follow the instructions on the right side of the BIOS screen to navigate and change BIOS settings.

4.8 BIOS Security Features

The BIOS includes security features that restrict access to the BIOS Setup program and who can boot the computer. A supervisor password and a user password can be set for the BIOS Setup program and for booting the computer, with the following restrictions:

- The supervisor password gives unrestricted access to view and change all Setup options in the BIOS Setup program. This is the supervisor mode.
- The user password gives restricted access to view and change Setup options in the BIOS Setup program. This is the user mode.
- If only the supervisor password is set, pressing the <Enter> key at the password prompt of the BIOS Setup program allows the user restricted access to Setup.
- If both the supervisor and user passwords are set, users can enter either the supervisor password or the user password to access Setup. Users have access to Setup respective to which password is entered.
- Setting the user password restricts who can boot the computer. The password prompt is displayed before the computer is booted. If only the supervisor password is set, the computer boots without asking for a password. If both passwords are set, the user can enter either password to boot the computer.
- For enhanced security, use different passwords for the supervisor and user passwords.
- Valid password characters are A–Z, a–z, and 0–9. Passwords may be up to 16 characters in length.



Appendix A Error Messages and Beep Codes

This appendix describes the various progress codes that are reported by the BIOS and the corresponding LED codes.

The LED codes are 8-bit quantities and can be used as Port 80 codes if the platform supports a Port 80 capturing device. The higher nibble alone is used for a 4-bit LED.

A.1 Speakers

The CRB-mounted speaker provides audible error message (beep code) information during POST. The location of the on-board speaker is coordinate 1D.

A.2 BIOS Beep Codes

Whenever an error occurs during POST, the BIOS exerts an error tone which indicates the problem.

Table 27. POST BIOS Beep Codes

Number of Beeps	Description
1	Memory refresh timer error.
3	Base memory read/write test error
6	8042 Gate A20 test error (cannot switch to protected mode)
7	General exception error (processor exception interrupt error)
8	Display memory error (system video adapter)

Table 28. Troubleshooting POST BIOS Beep Codes

Number of Beeps	Troubleshooting Action
1, 3	Reseat the memory, or replace with known good modules.
6, 7	Fatal error indicating a serious problem with the system. Consult your system manufacturer. Before declaring the motherboard beyond all hope, eliminate the possibility of interference by a malfunctioning add-in card. Remove all expansion cards except the video adapter. <ul style="list-style-type: none">• If beep codes are generated when all other expansion cards are absent, consult your system manufacturer's technical support.• If beep codes are not generated when all other expansion cards are absent, one of the add-in cards is causing the malfunction. Insert the cards back into the system one at a time until the problem happens again. This will reveal the malfunctioning card.
8	If the system video adapter is an add-in card, replace or reseat the video adapter. If the video adapter is an integrated part of the system board, the board may be faulty.



A.3 Port 80h POST Codes

The POST code checkpoints are the largest set of checkpoints during the BIOS pre-boot process. The following table describes the type of checkpoints that may occur during the POST portion of the BIOS:

Table 29. POST Code Checkpoints (Sheet 1 of 2)

Checkpoint	Description
03	Disable NMI, Parity, video for EGA, and DMA controllers. Initialize BIOS, POST, Runtime data area. Also initialize BIOS modules on POST entry and GPNV area. Initialize CMOS as mentioned in the Kernel Variable "wCMOSFlags."
04	Check CMOS diagnostic byte to determine if battery power is OK and CMOS checksum is OK. Verify CMOS checksum manually by reading storage area. If the CMOS checksum is bad, update CMOS with power-on default values and clear passwords. Initialize status register A. Initialize data variables that are based on CMOS setup questions. Initialize both the 8259 compatible PICs in the system
05	Initializes the interrupt controlling hardware (generally PIC) and interrupt vector table.
06	Do R/W test to CH-2 count reg. Initialize CH-0 as system timer. Install the POSTINT1Ch handler. Enable IRQ-0 in PIC for system timer interrupt. Traps INT1Ch vector to "POSTINT1ChHandlerBlock."
07	Fixes CPU POST interface calling pointer.
08	Initializes the CPU. The BAT test is being done on KBC. Program the keyboard controller command byte is being done after auto-detection of KB/MS using AMI* KB-5.
C0	Early CPU Init Start - Disable Cache - Init Local APIC
C1	Set up boot strap processor Information
C2	Set up boot strap processor for POST
C5	Enumerate and set up application processors
C6	Re-enable cache for boot strap processor
C7	Early CPU Init Exit
0A	Initializes the 8042 compatible Key Board Controller.
0B	Detects the presence of PS/2* mouse.
0C	Detects the presence of Keyboard in KBC port.
0E	Testing and initialization of different Input Devices. Also, update the Kernel Variables. Traps the INT09h vector, so that the POST INT09h handler gets control for IRQ1. Uncompress all available language, BIOS logo, and Silent logo modules.
13	Early POST initialization of chipset registers.
20	Relocate System Management Interrupt vector for all CPU in the system.
24	Uncompress and initialize any platform specific BIOS modules. GPNV is initialized at this checkpoint.
2A	Initializes different devices through DIM.
2C	Initializes different devices. Detects and initializes the video adapter installed in the system that have optional ROMs.
2E	Initializes all output devices.
31	Allocate memory for ADM module and uncompress it. Give control to ADM module for initialization. Initialize language and font modules for ADM. Activate ADM module.
33	Initializes the silent boot module. Set the window for displaying text information.
37	Displaying sign-on message, CPU information, setup key message, and any OEM specific information.
38	Initializes different devices through DIM. USB* controllers are initialized at this point.
39	Initializes DMAC-1 and DMAC-2.



Table 29. POST Code Checkpoints (Sheet 2 of 2)

3A	Initialize RTC date/time.
3B	Test for total memory installed in the system. Also, Check for DEL or ESC keys to limit memory test. Display total memory in the system.
3C	Mid POST initialization of chipset registers.
40	Detect different devices (Parallel ports, serial ports, and coprocessor in CPU, ... etc.) successfully installed in the system and update the BDA, EBDA, etc.
52	Updates CMOS memory size from memory found in memory test. Allocates memory for Extended BIOS Data Area from base memory. Programming the memory hole or any kind of implementation that needs an adjustment in system RAM size if needed.
60	Initializes NUM-LOCK status and programs the KBD typematic rate.
75	Initialize Int-13 and prepare for IPL detection.
78	Initializes IPL devices controlled by BIOS and option ROMs.
7C	Generate and write contents of ESCD in NVRam.
84	Log errors encountered during POST.
85	Display errors to the user and gets the user response for error.
87	Execute BIOS setup if needed / requested. Check boot password if installed.
8C	Late POST initialization of chipset registers.
8D	Build ACPI tables (if ACPI is supported)
8E	Program the peripheral parameters. Enable/Disable NMI as selected
90	Initialization of system management interrupt by invoking all handlers. <i>Please note that this checkpoint comes right after checkpoint 20h.</i>
A1	Clean-up work needed before booting to OS.
A2	Takes care of runtime image preparation for different BIOS modules. Fill the free area in F00h segment with OFFh. Initializes the Microsoft IRQ Routing Table. Prepares the runtime language module. Disables the system configuration display if needed.
A4	Initialize runtime language module. Display boot option popup menu.
A7	Displays the system configuration screen if enabled. Initialize the CPU's before boot, which includes the programming of the MTRR's.
A9	Wait for user input at config display if needed.
AA	Uninstall POST INT1Ch vector and INTO9h vector.
AB	Prepare BBS for Int 19 boot. Init MP tables.
AC	End of POST initialization of chipset registers. De-initializes the ADM module.
B1	Save system context for ACPI. Prepare CPU for OS boot including final MTRR values.
00	Passes control to OS Loader (typically INT19h).

A.4 BIOS Error Messages

Table 30 lists the error messages and provides a brief description of each.

Table 30. BIOS Error Messages

Error Message	Explanation
CMOS Battery Low	The battery may be losing power. Replace the battery soon.
CMOS Checksum Bad	The CMOS checksum is incorrect. CMOS memory may have been corrupted. Run Setup to reset values.
Memory Size Decreased	Memory size has decreased since the last boot. If no memory was removed then memory may be bad.
No Boot Device Available	System did not find a device to boot.



A.5 Port 80h POST Codes

During the POST, the BIOS generates diagnostic progress codes (POST codes) to I/O port 80h. If the POST fails or execution stops, the last POST code generated by the BIOS is left at port 80h. This code is useful for determining the point where an error occurred.

The following tables provide information about the POST codes generated by the BIOS:

- [Table 31](#) lists the Port 80h POST code ranges.
- [Table 32](#) lists the Port 80h POST sequence.

Table 31. Port 80h POST Code Ranges

Range (Hexadecimal)	Category/Subsystem
00–0Fh	Debug codes: Can be used by any PEIM/driver for debug.
10–1Fh	Host Processors: 1Fh is an unrecoverable processor error.
20–2Fh	Memory/Chipset: 2Fh is no memory detected or no useful memory detected.
30–3Fh	Recovery: 3Fh indicated recovery failure.
40–4Fh	Reserved for future use.
50–5Fh	I/O Busses: PCI, USB*, ISA, ATA, etc. 5Fh is an unrecoverable error. Start with PCI.
60–6Fh	Reserved for future use (for new busses).
70–7Fh	Output Devices: All output consoles. 7Fh is an unrecoverable error.
80–8Fh	Reserved for future use (new output console codes).
90–9Fh	Input devices: Keyboard/Mouse. 9Fh is an unrecoverable error.
A0–AFh	Reserved for future use (new input console codes).
B0–BFh	Boot Devices: Includes fixed media and removable media. BFh is an unrecoverable error.
C0–CFh	Reserved for future use.
D0–DFh	Boot device selection.
E0–FFh F0–FFh	FFh processor exception. E0–EEh: Miscellaneous codes. EFh boot/S3: resume failure.

Table 32. Typical Port 80h POST Sequence (Sheet 1 of 2)

POST Code	Description
21	Initializing a chipset component
22	Reading SPD from memory DIMMs
23	Detecting presence of memory DIMMs
25	Configuring memory
28	Testing memory
34	Loading recovery capsule
E4	Entered DXE phase
12	Starting Application processor initialization
13	SMM initialization
50	Enumerating PCI busses
51	Allocating resources to PCI bus
92	Detecting the presence of the keyboard



Table 32. Typical Port 80h POST Sequence (Sheet 2 of 2)

POST Code	Description
90	Resetting keyboard
94	Clearing keyboard input buffer
95	Keyboard Self Test EB Calling Video BIOS
58	Resetting USB* bus
5A	Resetting PATA/SATA bus and all devices
92	Detecting the presence of the keyboard
90	Resetting keyboard
94	Clearing keyboard input buffer
5A	Resetting PATA/SATA bus and all devices
28	Testing memory
90	Resetting keyboard
94	Clearing keyboard input buffer
E7	Waiting for user input
01	INT 19
00	Ready to boot

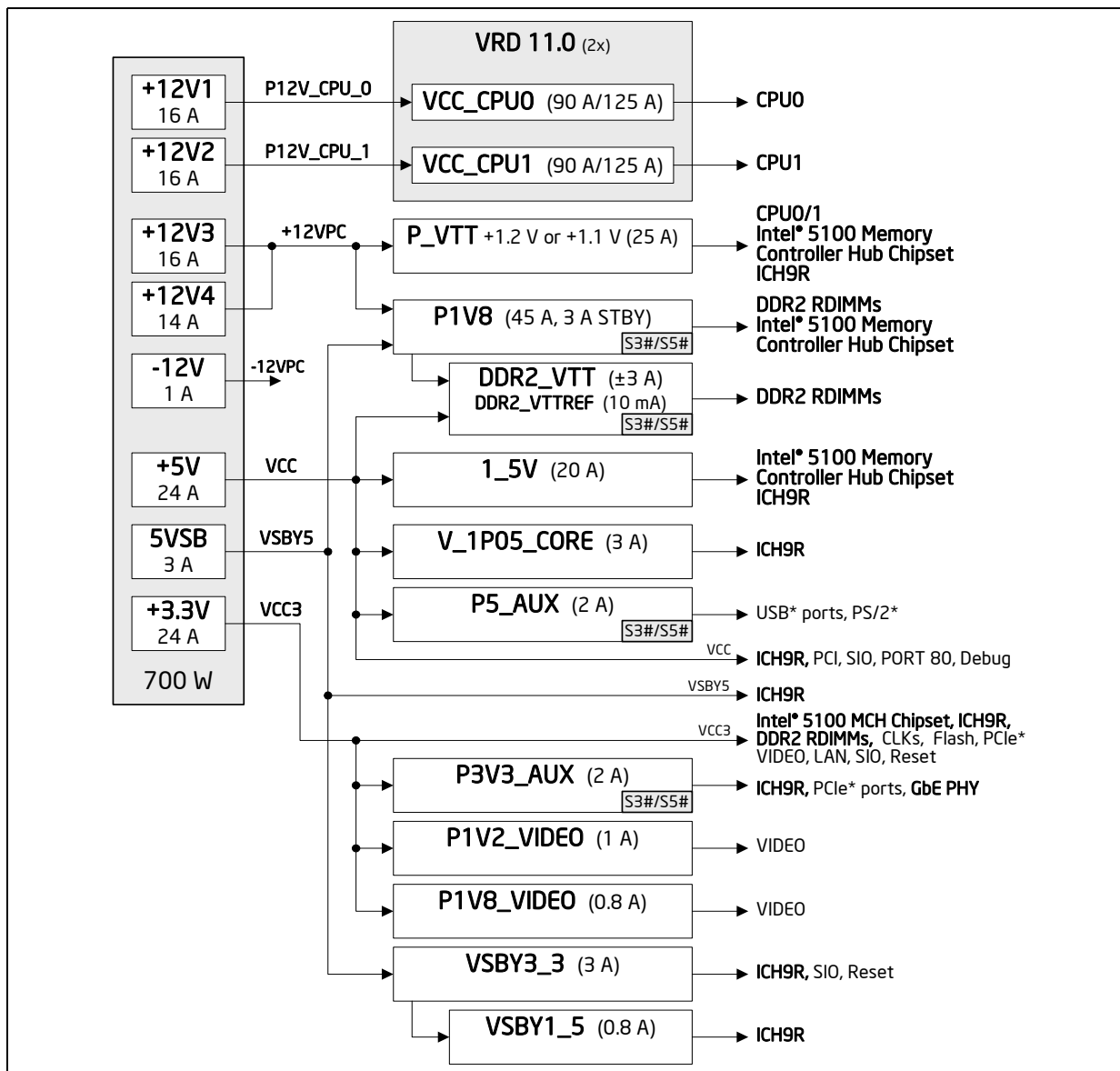


Appendix B Board Reference Diagrams

B.1 Power Overview

This diagram shows the CRB's power supply/loading scheme.

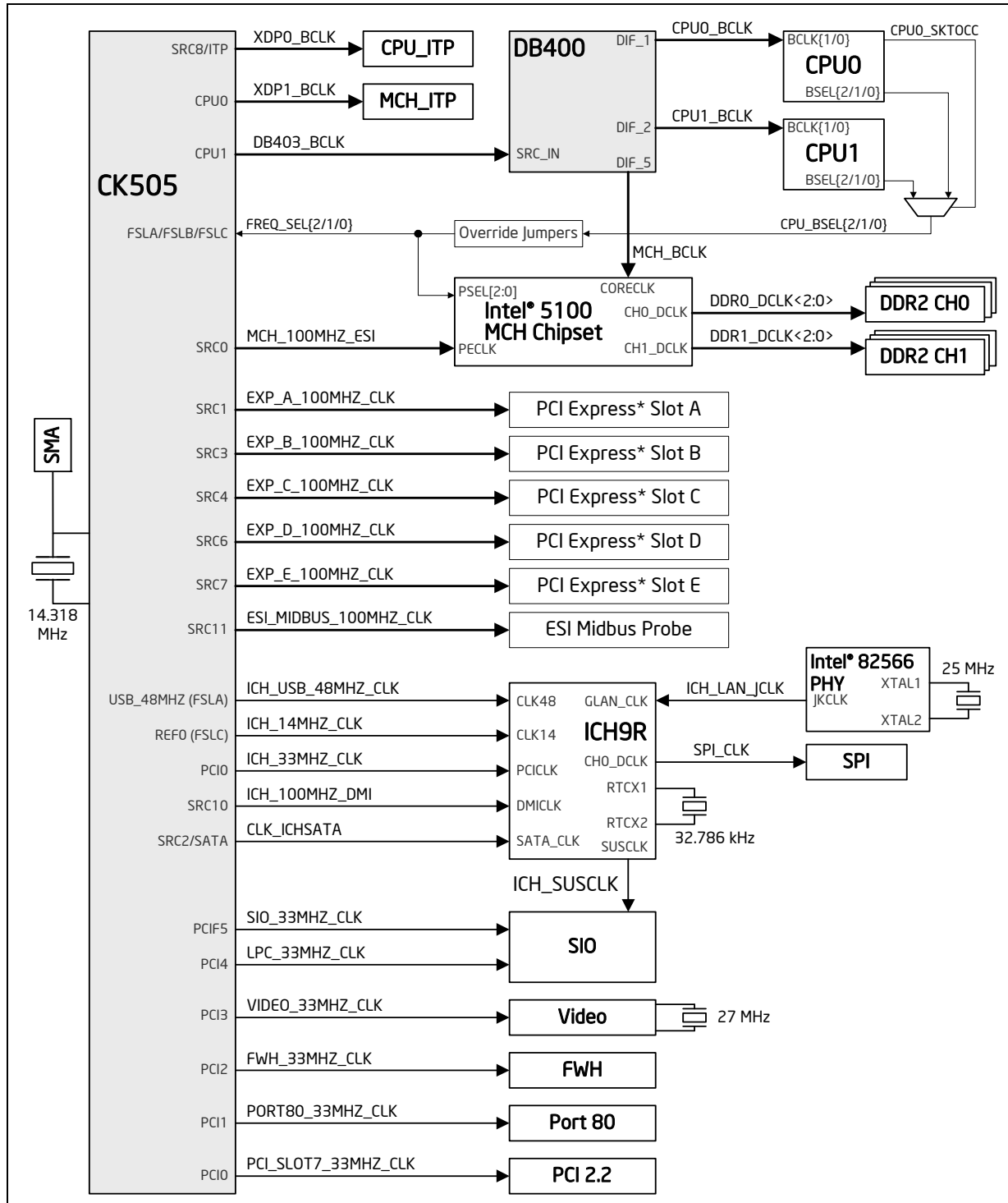
Figure 7. Power Diagram



B.2 Clocking Overview

This diagram shows the CRB's clock signaling scheme.

Figure 8. Clock Diagram

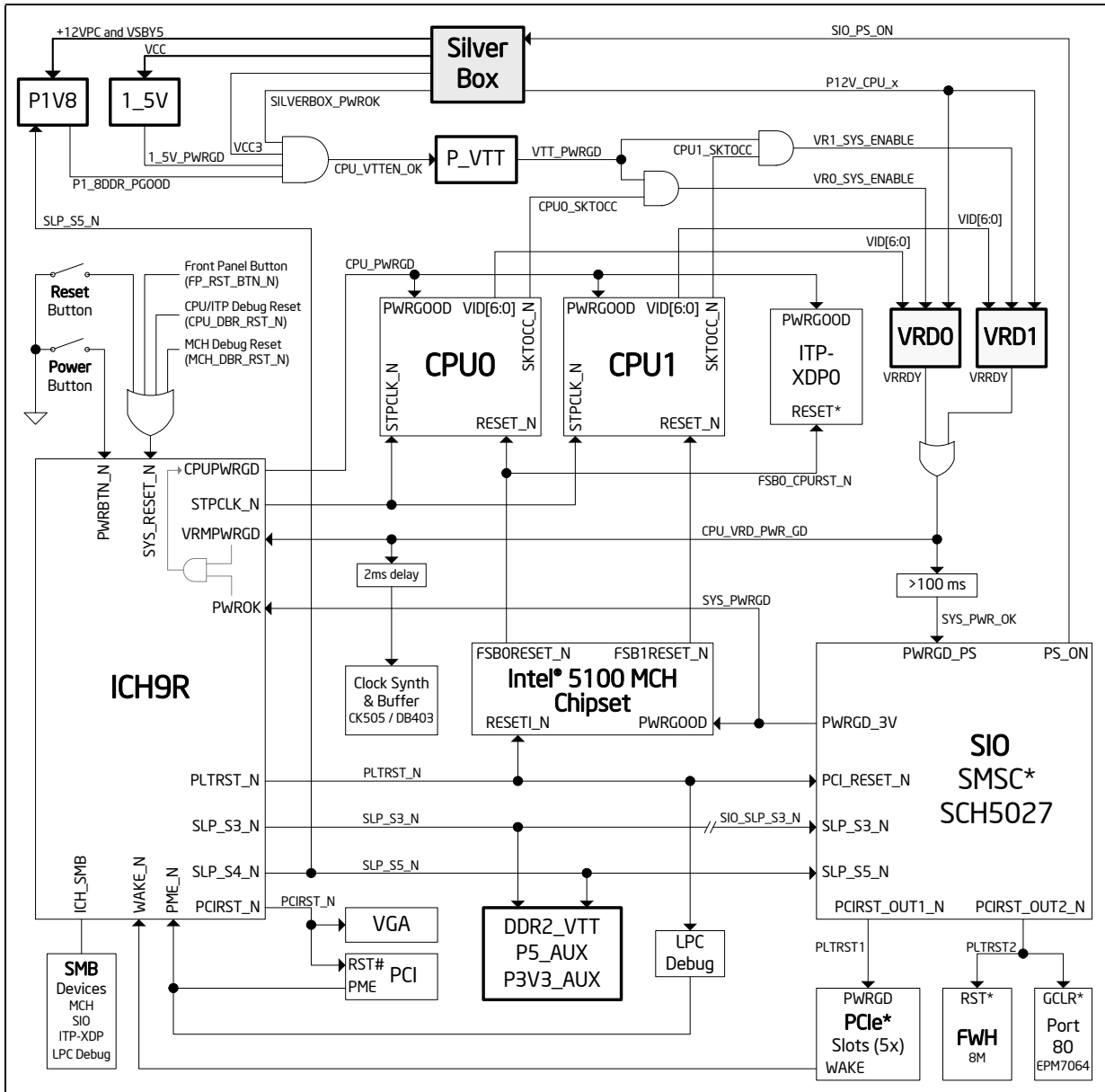




B.3 Reset and Power Management Signal Overview

This diagram shows the CRB's reset signaling scheme and power management signaling scheme.

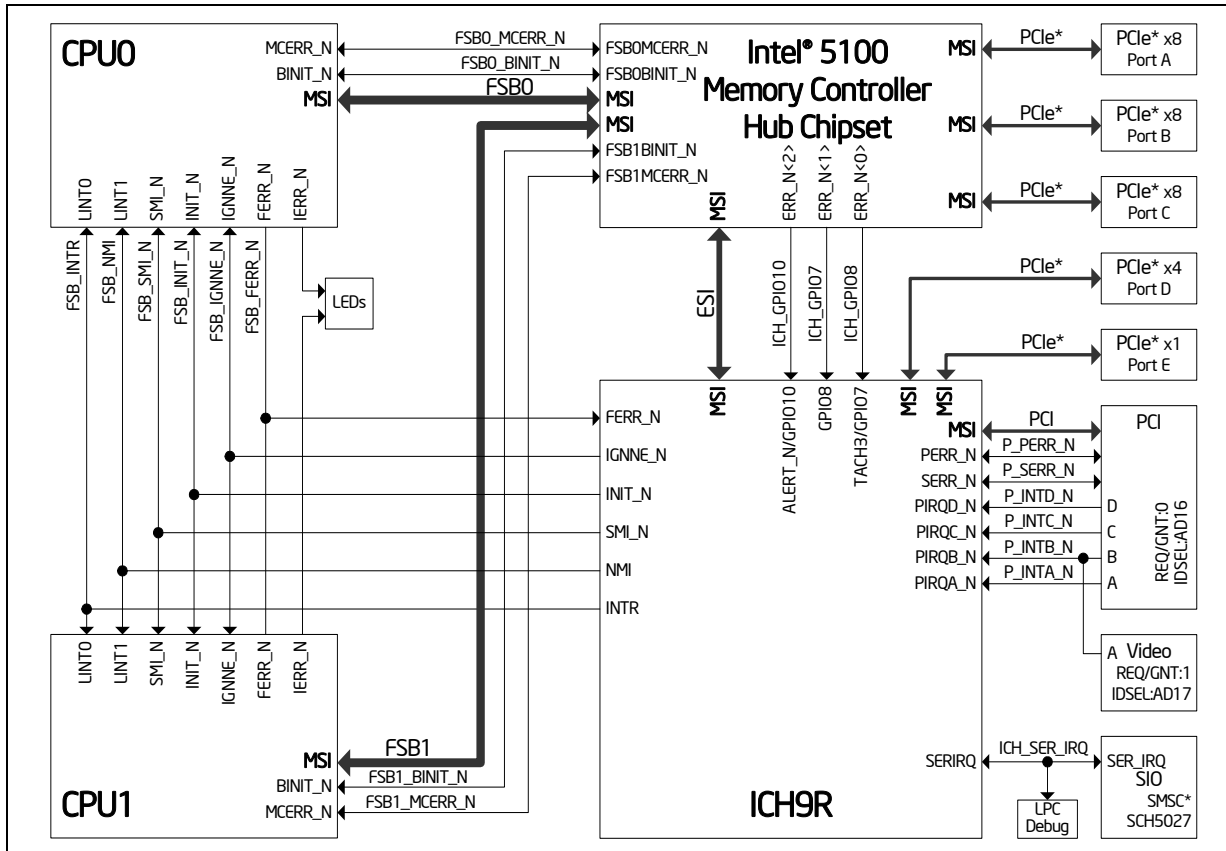
Figure 9. Reset and Power Management Signal Diagram



B.4 Interrupt and Error Signal Overview

This diagram shows the CRB's interrupt and error signaling scheme.

Figure 10. Interrupt and Error Signal Diagram

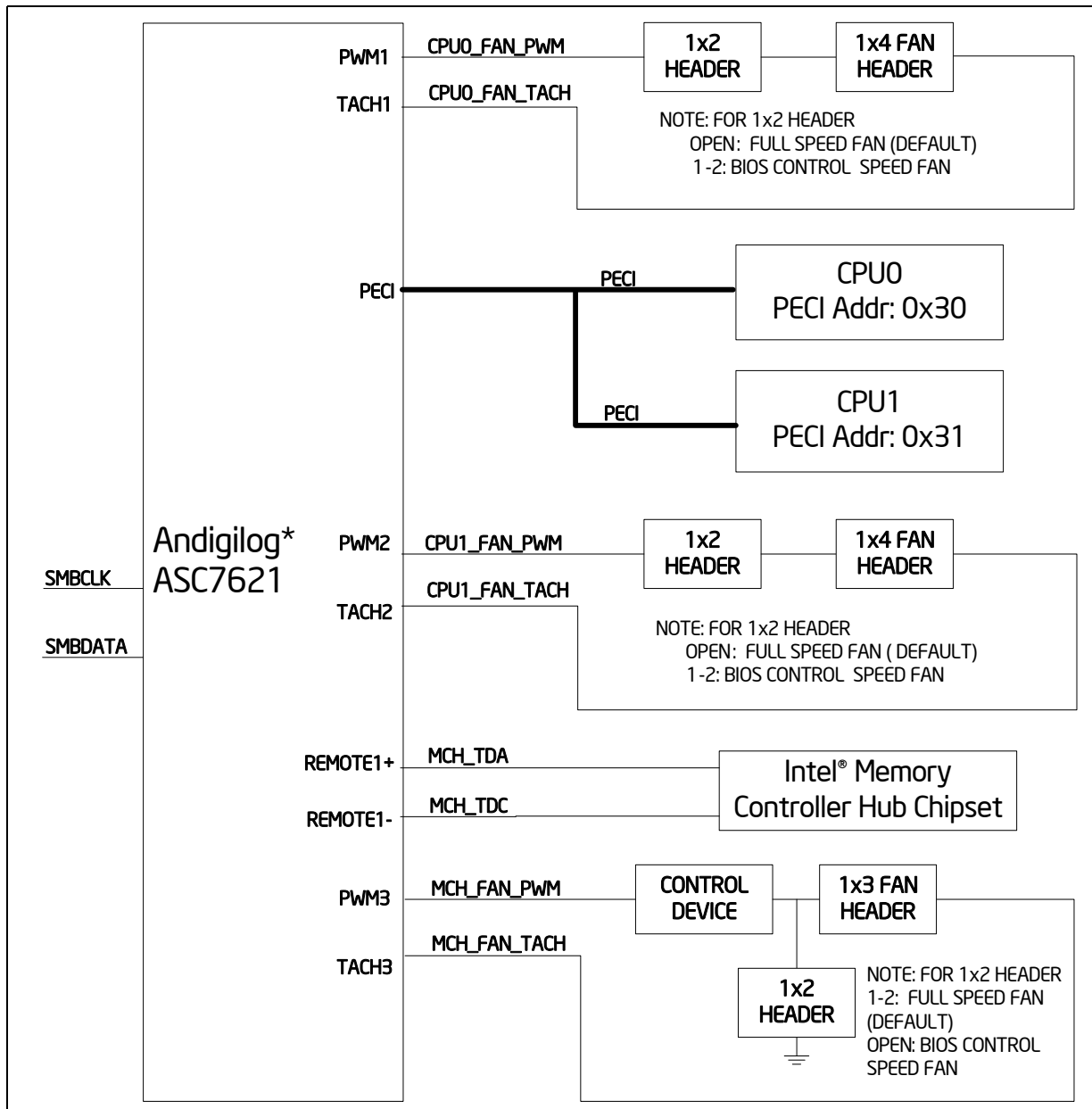




B.5 Thermal Signal Overview

This diagram shows the CRB's thermal signaling scheme.

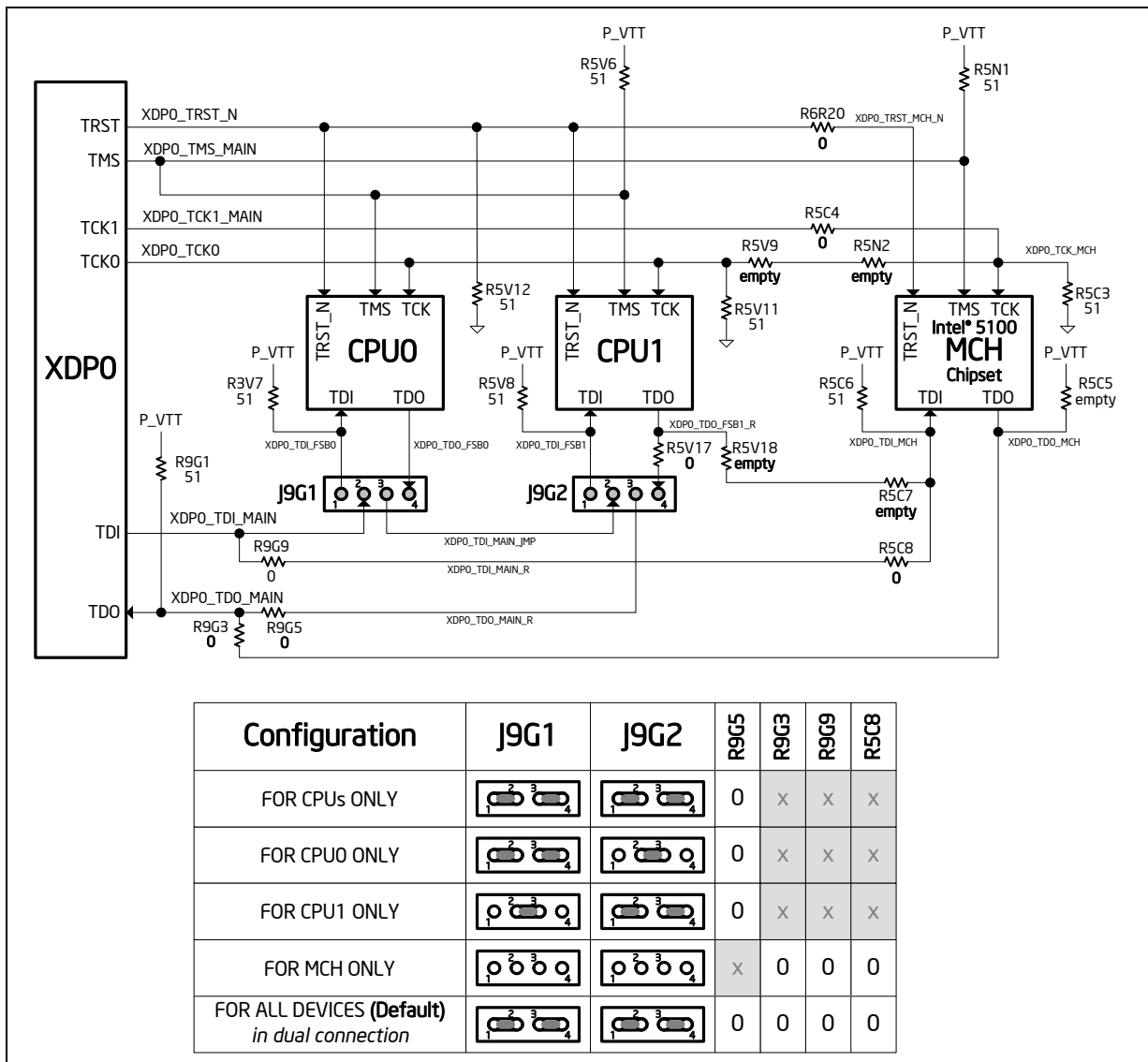
Figure 11. Thermal Control Diagram



B.6 External Debug Port Signal Overview

This diagram shows the CRB's ITP-XDP0 signaling scheme.

Figure 12. External Debug Port Signal Diagram





B.7 System Management Bus Signal Overview

This diagram shows the CRB's SMBus signaling scheme.

Figure 13. System Management Bus Signal Diagram

