

Intel® SR2200

Chassis Subassembly Product Guide

A Guide for Technically Qualified Assemblers of Intel® Identified Subassemblies/Products

Order Number: A55885-003

Disclaimer

Information in this document is provided in connection with Intel® products. No license, express or implied, by estoppel or otherwise, to any intellectual property rights is granted by this document. Except as provided in Intel's Terms and Conditions of Sale for such products, Intel assumes no liability whatsoever, and Intel disclaims any express or implied warranty, relating to sale and/or use of Intel products including liability or warranties relating to fitness for a particular purpose, merchantability, or infringement of any patent, copyright or other intellectual property right. Intel products are not designed, intended or authorized for use in any medical, life saving, or life sustaining applications or for any other application in which the failure of the Intel product could create a situation where personal injury or death may occur. Intel may make changes to specifications and product descriptions at any time, without notice.

Intel and Pentium are registered trademarks of Intel Corporation or its subsidiaries in the United States and other countries.

† Other names and brands may be claimed as the property of others.

Copyright © 2001, Intel Corporation. All Rights Reserved.

Contents

1 Chassis Description

What Your Kit Includes	7
Items You Must Purchase Separately.....	7
Feature Summary.....	8
System Components	8
Chassis Front Panel and Peripheral Bays	9
Front Panel RJ-45 Serial Connector	9
Chassis Back I/O Ports and Features.....	10
Front Panel Controls and Indicators.....	11
Peripherals.....	13
Hot Swappable SCSI Hard Drives.....	13
Flex Bay	14
Power Supply.....	14
System Cooling.....	14
Chassis Security.....	14
Locking and Unlocking the Front Bezel.....	14

2 Assembling the System

Before You Begin.....	15
Supplies Needed	15
Installation/Assembly Safety Instructions.....	16
Use Only for Intended Applications.....	16
Checking the Power Cord.....	17
Warnings and Cautions	17
Installing System Components.....	19
Overview of System Components.....	19
Preparing the Chassis	20
Removing the Cover	20
Removing the Riser Cards	21
Removing the Fan Assembly	22
Installing Components	23
Installing the Server Board	23
Routing Cables	26
Installing the Fan Assembly.....	28
Installing the Power Cord and Strain Relief Strap	29
Adding Components to the Server Board	30
Installing Peripherals	31
Installing a PCI Card on a Riser Card.....	31
Installing the Riser Cards on the Server Board.....	33
Installing a Hard Drive	34
Installing a CD-ROM Drive/FDD Module.....	36
Installing a Tape Drive.....	37
Mounting the Tape Drive	37
Suggested Tape Drive Cabling	38
Installing a COM 1 port in the Rear I/O.....	42
Installing the Bezel.....	42

3	Installing the System in a Rack	
	Equipment Rack Precautions	45
4	Working Inside Your Server	
	Tools and Supplies Needed	47
	Safety: Before You Remove the Cover	47
	Warnings and Cautions	48
	Lithium Battery Replacement	48
	Replacing Components	49
	Replacing a Hard Drive	49
	Replacing a CD-ROM Drive/FDD Module	51
	Replacing a PCI Add-in Card	52
	Replacing a Power Supply Module	55
	Replacing a Power Supply Cage	56
	Replacing a Fan	58
	Replacing a Backplane Board	60
	Replacing a Front Panel Board	62
	Replacing a Server Board	63
A	Regulatory and Certification Information	
	Product Regulatory Compliance	65
	Product Safety Compliance	65
	Product EMC Compliance	65
	Product Regulatory Compliance Markings	66
	Electromagnetic Compatibility Notices	67
	FCC Verification Statement (USA)	67
	ICES-003 (Canada)	68
	Europe (CE Declaration of Conformity)	68
	VCCI (Japan)	68
	BSMI (Taiwan)	69
	Regulated Specified Components	69
B	Equipment Log and Worksheets	
	Equipment Log	71
	Current Usage	73
	Calculating Power Usage	73
	Worksheet, Calculating DC Power Usage	73
	Worksheet, Total Combined Power Used by the System	74
C	Safety Warnings	
	WARNING: English (US)	76
	AVERTISSEMENT: Français	78
	WARNUNG: Deutsch	80
	AVVERTENZA: Italiano	82
	ADVERTENCIAS: Español	84

D Warranty

Limited Warranty for Intel® Chassis Subassembly Products	87
Extent of Limited Warranty	87
Warranty Limitations and Exclusions	88
Limitations of Liability	88
How to Obtain Warranty Service	89
Telephone Support	89
Returning a Defective Product	90

Figures

1. System Components	8
2. Chassis Front.....	9
3. Chassis Back.....	10
4. Controls and Indicators.....	11
5. Peripherals	13
6. Overview of System Components.....	19
7. Removing the Cover	20
8. Removing a Riser Card	21
9. Removing the Fan Assembly	22
10. Before Installing the Server Board	23
11. Mounting the Server Board SCB2	25
12. Cable Routing	26
13. Floppy/FP/IDE Cable Caution	27
14. Installing the Fan Assembly.....	28
15. Connecting Fans to the Server Board	29
16. Installing the Power Cord and Strain Relief Strap	29
17. Installing a Low-Profile PCI Card in a Riser Card.....	32
18. Installing a Full-Length PCI Card in a Riser Card.....	32
19. Installing a Riser Card on the Server Board	33
20. Removing an Air Baffle from a Drive Carrier.....	34
21. Attaching the Drive to the Carrier	35
22. Installing a CD-ROM Drive/FDD Module.....	36
23. Mounting a Tape Drive	38
24. Preparing a SCSI Cable: Tape Drive to On-board SCSI Controller	39
25. Cable Routing: Tape Drive to On-board SCSI Controller	39
26. Cable Routing: Tape Drive to SCSI Controller on Full-height PCI Card	40
27. Preparing a SCSI Cable: Tape Drive to SCSI Controller on an L-P PCI Card.....	41
28. Cable Routing: Tape Drive to SCSI Controller on L-P PCI Card.....	41
29. Installing the Bezel.....	42
30. Removing a Carrier and Hard Drive from a Drive Bay.....	49
31. Removing a Hard Drive from a Carrier.....	50
32. Installing a CD-ROM Drive/FDD Module.....	51
33. Removing a Riser Card for Low-Profile PCI's	53
34. Removing a Riser Card for Full-Length PCI's	54
35. Replacing a Power Supply Module	55
36. Replacing a Power Supply Cage.....	56
37. Removing the Fan Assembly	58
38. Removing a Fan	59

39.	Replacing a Backplane Board	61
40.	Removing the Front Panel Board	62
41.	Removing the Server Board	63

Tables

1.	Control Button Functions	12
2.	LED Indicator Status	12
3.	Power Usage Worksheet 1.....	73
4.	Power Usage Worksheet 2.....	74

1 Chassis Description

Your SR2200 server chassis kit is designed to support the Intel® Server Board SCB2 and comes with the front panel board, backplane board, power supply, one 3.5-inch peripheral drive carrier, and six hard drive carriers installed. The fan assembly and riser cards are installed for shipment, but you must remove and reinstall them when you install the server board.

To complete the system, you must purchase some items separately (see below).

What Your Kit Includes

Your kit includes the following components:

- 2U rack-mount chassis featuring:
 - Six hard drive bays with carriers and drive blanks (baffles)
 - One bay for an optional CD-ROM drive/FDD module (comes with filler panel and plug)
 - One bay for optional tape drive (comes with carrier and filler panel)
- One 350W SSI PFC non-redundant power supply
- Two PCI riser cards for use with the Intel Server Board SCB2
- Two system fans
- One power cord (U.S. version)
- One internal USB cable, (connecting server board to front panel board)
- One internal flex circuit cable, 100-pin (connecting server board to backplane board)
- One internal SCSI cable (connecting server board to backplane board)
- One internal front panel cable, 34-pin (connecting front panel board to backplane board)
- One Resource CD-ROM containing drivers, utilities, and product guide
- Mounting screws (server board)
- Front, mid, or 4-post rack mounting kit

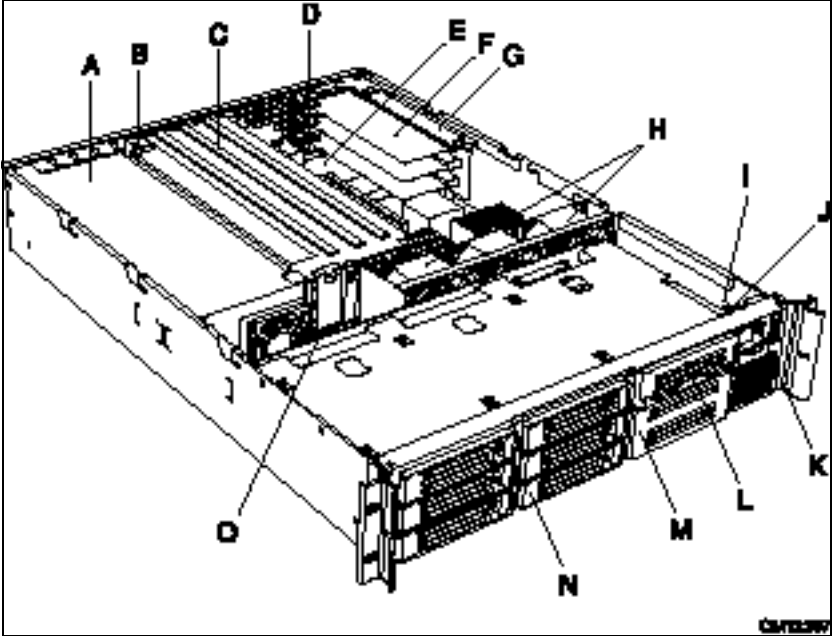
Items You Must Purchase Separately

The following components must be purchased separately:

- Front bezel (optional)
- Intel Server Board SCB2 (SCSI)
- Minimum of one Intel® Pentium® III processor with 512K cache support (FC-PGA2)
- PC-133 Registered ECC SDRAM memory DIMMs
- SCSI hard disk drives (HDD)
- Slimline CD-ROM drive/floppy disk drive module (optional)
- PCI add-in cards
- Other peripheral devices

Feature Summary

System Components

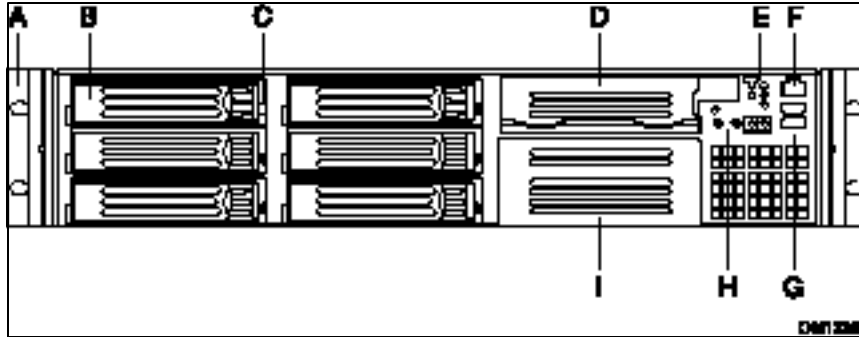


- | | |
|--|--|
| A. Power supply | I. Front panel board |
| B. PCI card bracket (full-length) | J. Intrusion switch |
| C. Riser card assembly (full-length) | K. Control panel |
| D. PCI card bracket (low-profile) | L. Flex bay (optional CD-ROM drive/FDD module available) |
| E. Server board (accessory to system) | M. Tape drive bay (tape drive available from others) |
| F. PCI add-in card (accessory to system) | N. Hard drive bay (one of six, accessory to system) |
| G. Riser card assembly (low-profile) | O. Backplane board |
| H. System fans | |

Figure 1. System Components

Chassis Front Panel and Peripheral Bays

To access the system controls and peripherals when a front bezel is installed, grasp the bezel and gently pull it towards you until it unsnaps from the chassis.



- | | |
|--|--|
| A. Chassis handles (2) | F. RJ-45 serial port |
| B. Drive bay (1-inch) | G. USB connectors 3 and 4 |
| C. HDD activity/fault Indicator | H. System controls |
| D. Flex bay (optional CD-ROM drive/FDD module available) | I. Tape drive bay (tape drive available from others) |
| E. Front panel indicator lights | |

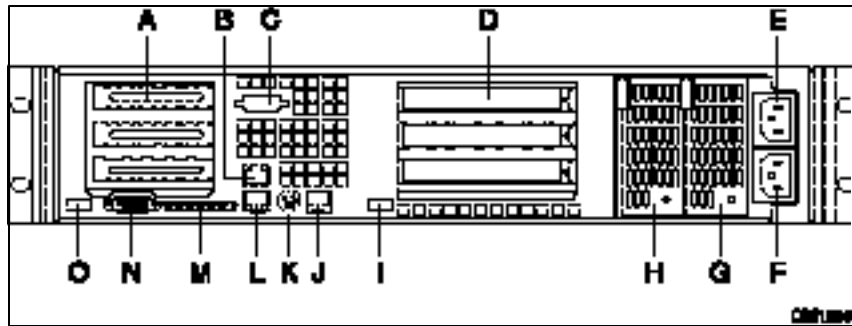
Figure 2. Chassis Front

Front Panel RJ-45 Serial Connector

Your SR2200 server chassis comes equipped with a front panel accessed server management port (see Figure 2, F). This port is designed to allow PC-to-PC communication to aid in diagnosing system failures.

An optional accessory kit (order number AXXRJ45DB9) provides an RJ-45 to DB9 conversion adapter. Customers wishing to make their own cable may refer to the *SR2200 Technical Product Specification* available on the Intel support website.

Chassis Back I/O Ports and Features

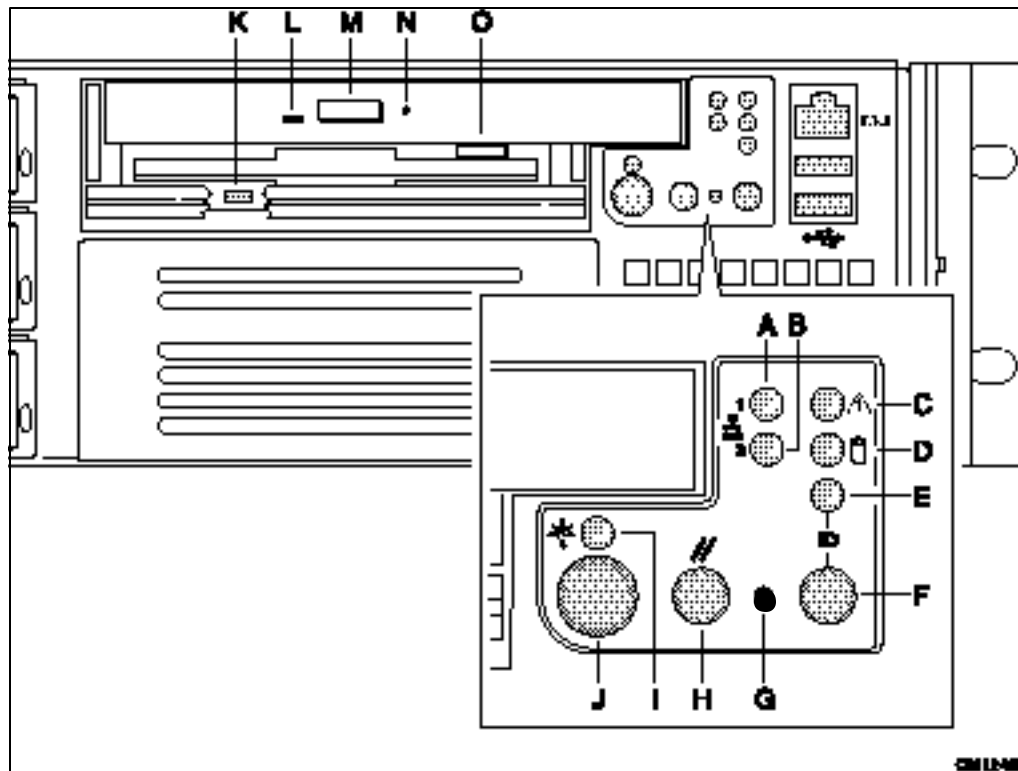


- | | |
|--|---|
| A. PCI card bracket (low profile) | I. USB connector 2 |
| B. RJ45 NIC 2 connector
Green Status LED/Yellow Status LED | J. RJ45 serial port |
| C. COM 1 port mounting hole (cable provided and installed by others) | K. PS/2 [†] mouse/keyboard connector |
| D. PCI card bracket (full-height) | L. RJ45 NIC 1 connector |
| E. AC power input (primary) | M. SCSI connector (If available) |
| F. AC power input (redundant) | N. Video connector |
| G. Power supply module, redundant (system accessory) | O. USB connector 1 |
| H. Power supply module, primary | |

Figure 3. Chassis Back

Front Panel Controls and Indicators

Shown with optional CD-ROM drive/floppy disk drive installed.



- | | |
|--------------------------------|--|
| A. NIC 1 activity LED | I. Power/sleep LED |
| B. NIC 2 activity LED | J. Power button |
| C. System status LED | K. FDD activity LED |
| D. Fixed disk drive status LED | L. CD-ROM activity LED |
| E. ID LED | M. CD-ROM drive eject button |
| F. ID button | N. (Tool assisted) Manual CDROM drive eject button |
| G. NMI button (tool assisted) | O. FDD eject button |
| H. Reset button | |

Figure 4. Controls and Indicators

Table 1. Control Button Functions

Power/Sleep button	Toggles the system power on/off. Or sleep button for ACPI compliant operating systems.
Reset button	Reboots and initializes the system.
NMI button	Pressing the recessed button with a paper clip or pin issues a non-maskable interrupt and puts the server in a halt state for diagnostic purposes.
ID button	Toggles on/off the front panel ID LED and the baseboard ID LED. The baseboard ID LED is visible through the rear of the chassis and allows you to locate the server you're working on from behind a rack of servers.

Table 2. LED Indicator Status

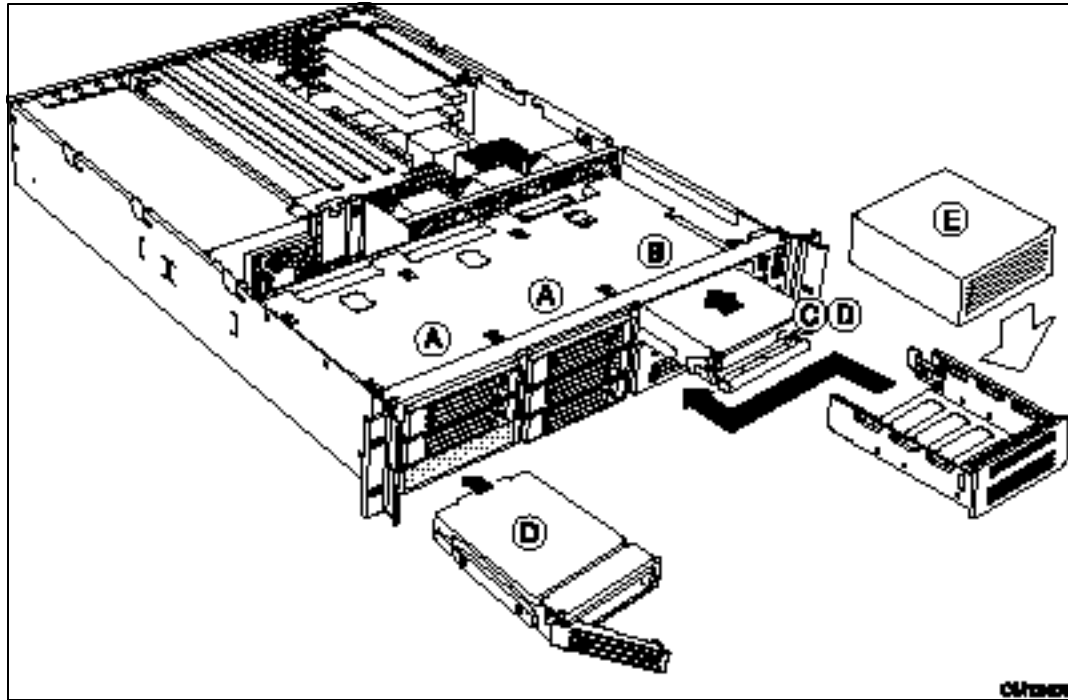
Power/sleep LED	<p><i>Continuous green light</i> indicates the system has power applied to it.</p> <p><i>Blinking green light</i>^(Note 4) indicates the system is sleeping.</p> <p><i>No light</i> indicates the system does not have power applied to it (other than 5 V standby power).</p>
NIC 1 activity LED NIC 2 activity LED	<i>Continuous green light</i> indicates activity between the system and the network to which it is connected.
System status LED	<p><i>Continuous green light</i> indicates the system is operating normally.</p> <p><i>Blinking green light</i> indicates the system is operating in a degraded condition.</p> <p><i>Continuous amber light</i>^(Note 1) indicates the system is in a critical or nonrecoverable condition.</p> <p><i>Blinking amber light</i>^(Note 1) indicates the system is in a non-critical condition.</p> <p><i>No light</i> indicates POST/system stop.</p>
Fixed disk drive status LED	<p><i>Random blinking green light</i> indicates fixed disk drive activity (SCSI or IDE).</p> <p><i>Continuous amber light</i>^(Note 2) indicates fixed disk drive fault (SCSI or IDE).</p> <p><i>No light</i>^(Note 3) indicates no fixed disk drive activity nor fault (SCSI or IDE).</p>
ID LED	<p><i>Continuous blue light</i> indicates ID button is depressed.</p> <p><i>No light</i> indicates ID button is not depressed.</p>

Notes:

- 1 The Amber status takes precedence over the Green status. When the Amber LED is on or blinking, the Green LED is off.
- 2 In order for a hard disk fault indication to occur, either an Intelligent Platform Management Interface (IPMI) based satellite management controller must send a Set Fault Indication command to the Baseboard Management Controller (BMC), or the system board must be used with the 2U SR2200 hot swappable backplane.
- 3 Also off when the system is powered off or in a sleep state.
- 4 The Power LED sleep indication is maintained on standby by the chipset. If the system is powered down without going through BIOS, the LED state in effect at the time of power off will be restored when the system is powered on until the BIOS clears it. If the system is not powered down normally, it is possible that the Power LED will be blinking at the same time that the System Status LED is off due to a failure or configuration change that prevents the BIOS from running.

Peripherals

The chassis provides external bays for peripherals that can be purchased separately and added to the system. The following describes the available options.



- A. Hard drive bays (6)
- B. Flex bay (1)
- C. CD-ROM drive/floppy disk drive module
- D. Hard disk drive
- E. Tape drive (available from others)

Figure 5. Peripherals

Hot Swappable SCSI Hard Drives

The chassis ships with six drive carriers for mounting SCSI hard drives in the hard drive bays. For information on how to install these drives, see “Installing a Hard Drive” on page 34.

The SCSI hard drives are hot swappable. When a drive fails, the SCSI backplane detects the failure, reports it, and powers down the failed drive. The drive fault LED becomes a continuous amber light. After the failed drive is removed and a new drive is inserted, there is a short wait before power is applied to the drive and the drive fault LED becomes a random blinking green light.



NOTE

Drives can consume up to 17 watts of power each. Drives must be specified to run at a maximum ambient temperature of 50 °C.

Flex Bay

The flex bay can be used with either the optional CD-ROM/FDD module or a seventh hot swappable SCSI HDD.

The CDROM/FDD module may only be inserted or removed from the flex bay when system power is turned off. The CD-ROM/FDD module is NOT hot swappable. For information on installation, see “Installing a CD-ROM Drive/FDD Module” on page 36.

Power Supply

The power supply consists of the power supply bay and one power supply module. A second power supply module can be purchased to provide a redundant, 1+1 system. With either configuration, the power supply provides 350 watts of power and is designed to minimize EMI. The power supply operates within the following voltage ranges and is rated as follows:

- 100-120 V~ at 50/60 Hertz (Hz); 6.3A maximum
- 200-240 V~ at 50/60 Hz; 2.5A maximum

The power subsystem supports implementation of remote management features including remote enable that permits power to be activated from a variety of sources.

A -48V DC power supply bay is available for solutions requiring this configuration.

System Cooling

The chassis includes two 80-mm non-hot-swappable system fans for cooling the processor(s), hard drives, and add-in cards. A third fan may be added to the center position to provide cooling redundancy for system components. The system fans are mounted in a fan assembly located in the middle of the chassis to pull cooling air through the chassis. The power supply contains a single fan for cooling.

Chassis Security

To help prevent unauthorized access to the system’s peripherals and control panel, install the optional front bezel, which provides a key lock. The chassis also includes a preinstalled intrusion switch for the top access cover that can be monitored by server management software. When the cover is opened, the switch, located on the front panel board, transmits a signal to the Baseboard Management Controller (BMC) on the server board, where server management software processes the signal.

Locking and Unlocking the Front Bezel

To unlock the bezel, insert the key in the lock and turn the lock counterclockwise until it stops (about a quarter turn). The bezel is now unlocked and can be opened again.

To lock the bezel, insert the key in the lock. Turn the lock clockwise until it stops (about a quarter turn). The bezel is now locked and cannot be opened.

2 Assembling the System

Before the SR2200 can be installed for use, you must assemble the hardware components that make up your particular system. Additionally, you will want to add any peripherals and add-in cards purchased for the system. The following procedures help guide you through this assembly process and create your desired system configuration.



NOTE

To maintain and ensure regulation compliance, the fully integrated system should be tested, certified and/or documented to illustrate compliance to the regional regulations and laws for where the product will be sold. The peripherals and add-in cards chosen for integration should have individual regulatory approvals.

Before You Begin

Supplies Needed

Before beginning your work, make sure you have the following supplies available:

- Anti-static wrist strap (recommended)
- SR2200 accessory kit (included)
- SCB2 SCSI server board kit
- Processors and memory you purchased separately to add to the server board
- Optional peripherals and add-in cards you want to include in the system

Installation/Assembly Safety Instructions

Before you start the assembly process, you will need to make sure you follow certain basic safety precautions.



CAUTION

Only technically qualified persons shall perform integration/servicing of this chassis sub-assembly.

Follow these guidelines to meet and maintain safety and product regulatory requirements when integrating this chassis subassembly.

Read and adhere to all of these instructions and the instructions supplied with this assembly. If you do not follow these instructions, the UL listing and other regulatory approvals will be void, and the product will most likely be non-compliant with regional product laws and regulations.

Use Only for Intended Applications

This product was evaluated as Information Technology Equipment (ITE) that may be installed in offices, schools, computer rooms and similar locations. The suitability of this product for other Product Categories and Environments other than ITE applications, (such as medical, industrial, alarm systems, and test equipment) may require further evaluation.

When you integrate this subassembly, observe all warnings and cautions in the Installation Guide.

To avoid injury, be careful of:

- Sharp pins on connectors
- Sharp pins on printed circuit assemblies
- Rough edges and sharp corners on the chassis
- Hot components (like processors, voltage regulators, and heat sinks)
- Damage to wires that could cause a short circuit

Checking the Power Cord



WARNING

Do not attempt to modify or use the supplied AC power cords if they are not the exact type required.

The power supply cords are the main disconnect to AC power. The socket outlets must be installed near the equipment and readily accessible.

If the power cords supplied with the system are not compatible with the AC wall outlet in your region, obtain power cords that meet the following criteria:

- The power cord must be rated for the available AC voltage and have a current rating that is at least 125% of the current rating of the server.
- The plug on the power cord that plugs into the wall outlet must be a grounding-type male plug designed for use in your region. It must have certification marks showing certification by an agency acceptable in your region.
- The connector that plugs into the AC receptacle on the power supply must be an IEC 320, sheet C13, type female connector.
- In Europe, the cord must be less than 4.5 meters (14.76 feet) long, and it must be flexible <HAR> (harmonized) or VDE certified cordage to comply with the chassis' safety certifications.

Warnings and Cautions

These warnings and cautions apply whenever you remove the chassis cover to access components inside the server. Only a technically qualified person should integrate and configure the server.



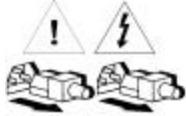
WARNING / BEFORE YOU REMOVE THE ACCESS COVER

Before removing the access cover for any reason, observe these safety guidelines:

- 1. Turn off all peripheral devices connected to the server.**
- 2. Turn off the server by pressing the power button on the front of the chassis. Then unplug all AC power cords from the chassis or wall outlet.**
- 3. Label and disconnect all peripheral cables and all telecommunication lines connected to I/O connectors or ports on the back of the chassis.**
- 4. Provide some electrostatic discharge (ESD) protection by wearing an antistatic wrist strap attached to chassis ground—any unpainted metal surface—when handling components.**



WARNING



The power button on the front panel **DOES NOT** turn off the AC power. To disconnect power from the server, you must unplug all AC power cords from the wall outlet or the chassis.



WARNING

Hazardous electrical conditions may be present on power, telephone, and communication cables. Turn off the server and disconnect the power cords, telecommunications systems, networks, and modems attached to the server before opening it. Otherwise, personal injury or equipment damage can result.



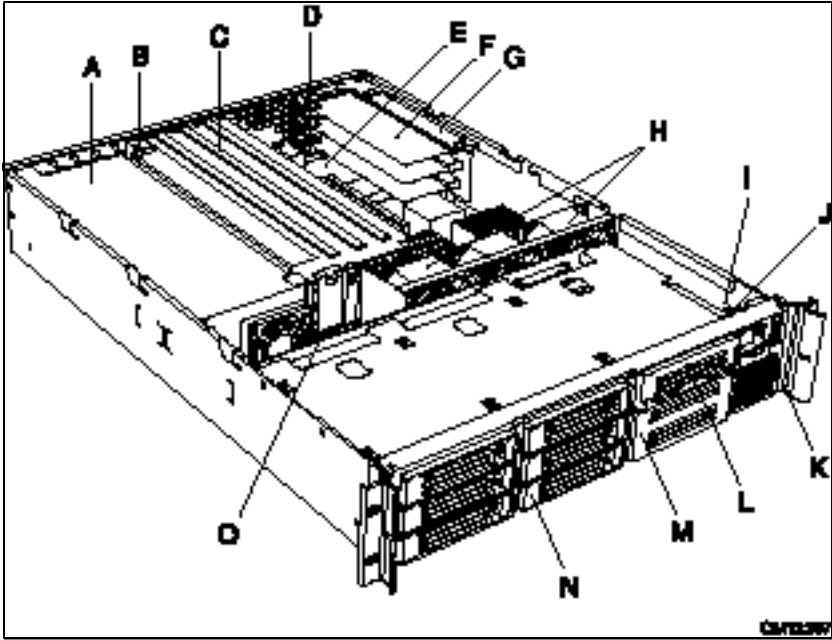
WARNING

Do not open the power supply. Hazardous voltage, current and energy levels are present inside the power supply. Refer servicing of the power supply to qualified technical service personnel.

Installing System Components

Overview of System Components

All references to left, right, front and rear are based on the reader facing the front of the chassis.



- A. Power supply
- B. PCI card bracket (full-length)
- C. Riser card assembly (full-length)
- D. PCI card bracket (low-profile)
- E. Server board (accessory to system)
- F. PCI add-in card (accessory to system)
- G. Riser card assembly (low-profile)
- H. System fans (center fan is an accessory to system)
- I. Front panel board
- J. Intrusion switch
- K. Control panel
- L. Flex bay (optional CD-ROM drive/FDD module available)
- M. Tape drive bay (tape drive available from others)
- N. Hard drive bay (one of six, accessory to system)
- O. Backplane board

Figure 6. Overview of System Components

Preparing the Chassis

Removing the Cover

1. While pressing the blue latch button (A) with your left thumb, slide the top cover back using the heel of your right hand on the black pad.



NOTE

A non-skid surface or a stop behind the chassis may be needed if attempting to remove the top cover on a flat surface.

2. Set the cover aside and away from the immediate work area.

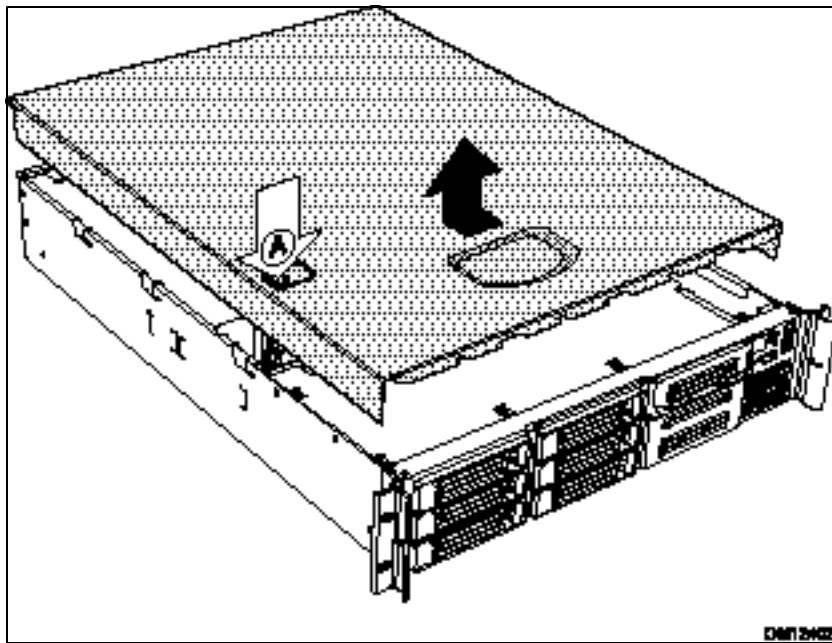


Figure 7. Removing the Cover

Removing the Riser Cards

1. Insert your finger in the plastic loop. On riser card (A), also grasp the opposite end at (C).
2. Pull straight up and remove the riser card from the chassis.
3. Discard the protective blocks.

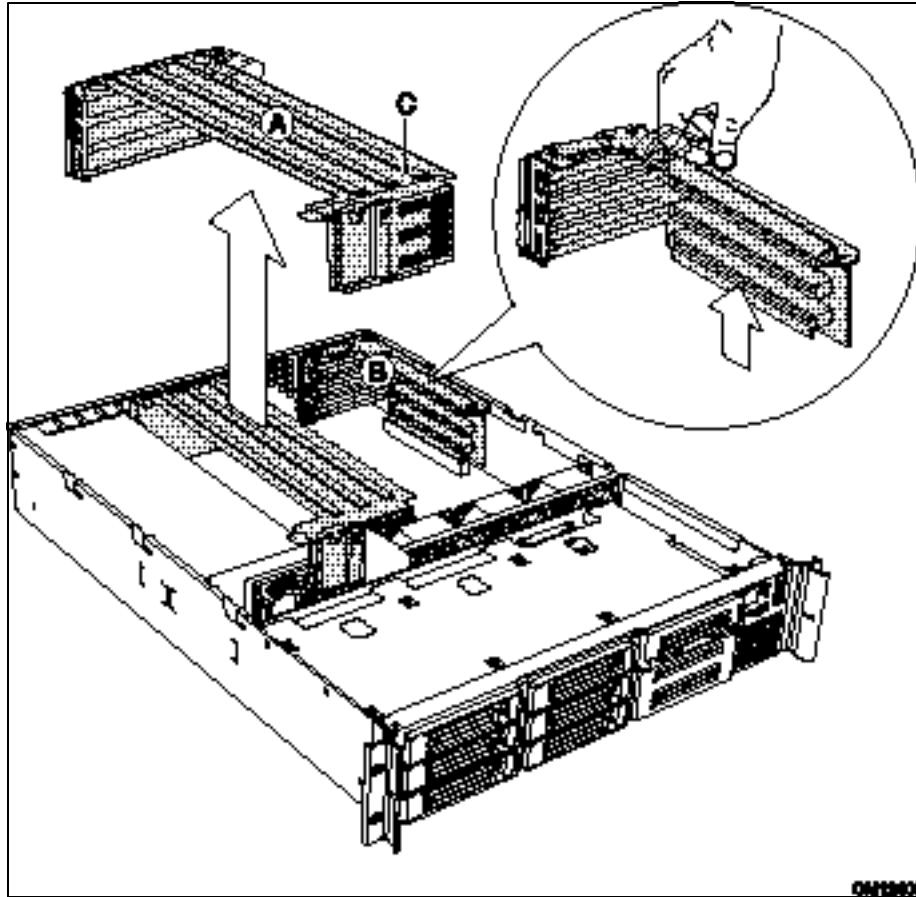


Figure 8. Removing a Riser Card

Removing the Fan Assembly

1. At the end of the fan assembly closest to the chassis centerline, lift up on tab (A).
2. While lifting up on the tab, slide the fan assembly toward the chassis centerline (B) until it releases from the chassis.
3. Lift the fan assembly out of the chassis.

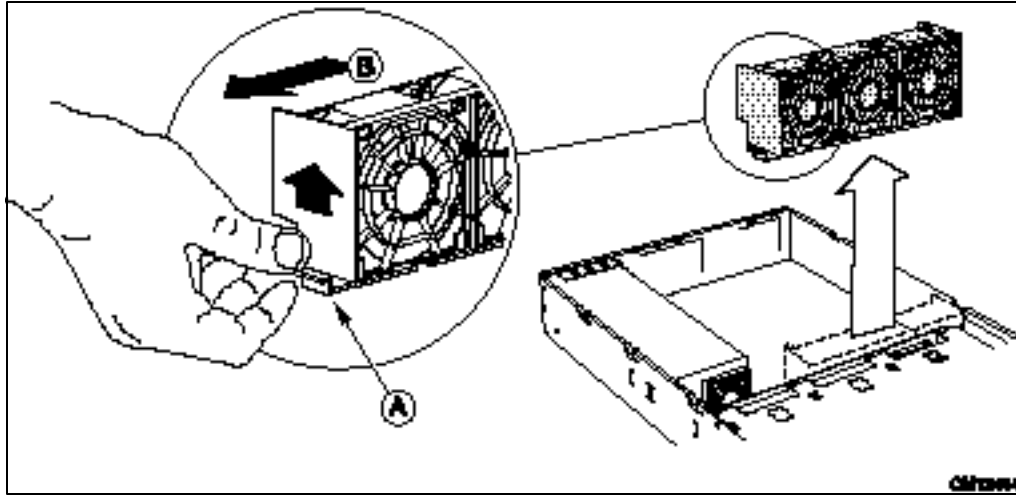


Figure 9. Removing the Fan Assembly

Installing Components



CAUTION

Do not install any server board support bumpers in the SR2200 chassis.

System components must be installed in the order presented below. If installed in a different order, component damage may occur.

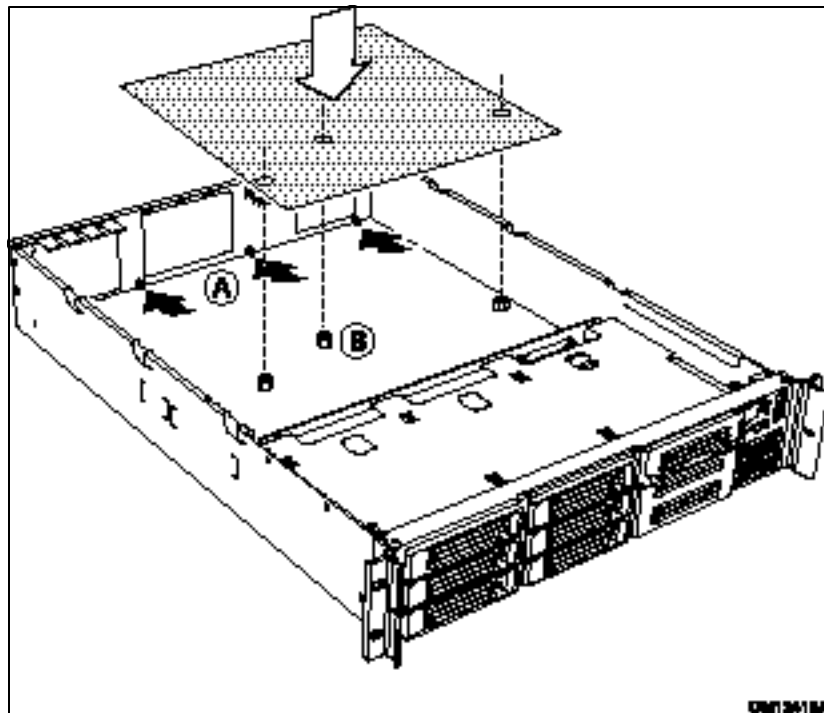
Installing the Server Board

1. Ensure that the Mylar insulator sheet is seated securely over the standoffs, is laying flat on the chassis floor, and that the edge of the sheet is seated below the studs in the rear chassis wall. (See Figure 10, A.)
2. Remove the server board from its packaging and antistatic bag.
3. While placing the board on the chassis standoffs, carefully position the board I/O connectors in the rear chassis I/O openings.
4. Adjust board position so that the two mounting holes near the board edges rest securely on the two corresponding shouldered standoffs. (See Figure 10, B.)



NOTE

The three holes on the server board used to mount the board to the standoffs have white circles around them.



A. Studs in the rear chassis wall

B. Shouldered standoffs

Figure 10. Before Installing the Server Board

5. Attach the board to the chassis using the three thumbscrews shipped in the chassis accessory kit.

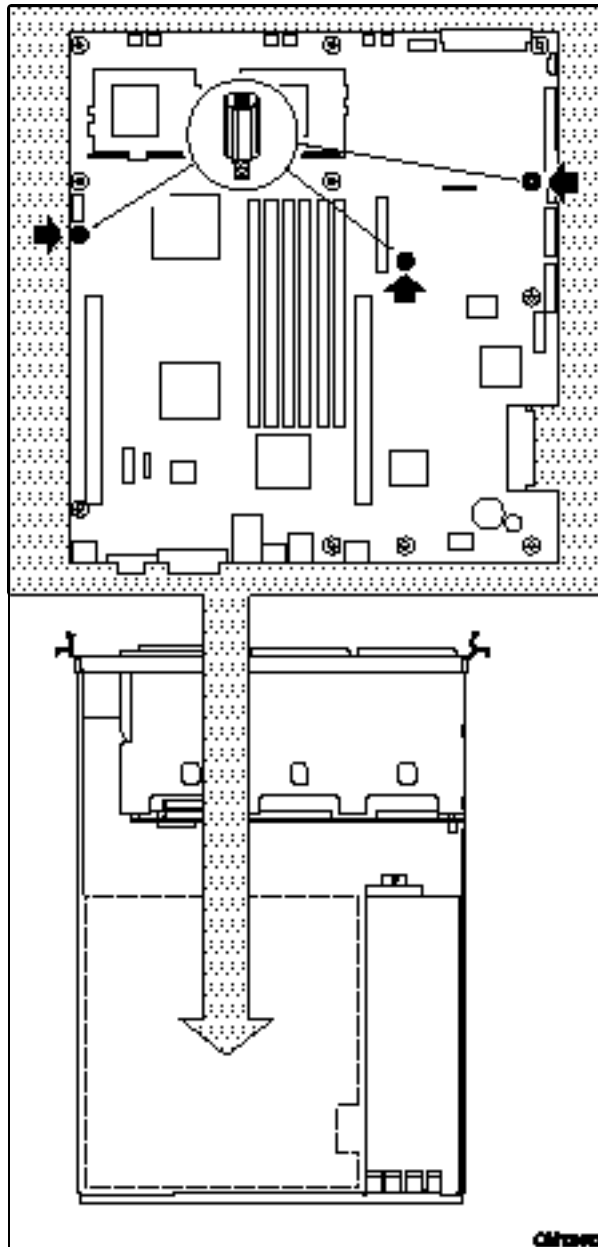


Figure 11. Mounting the Server Board SCB2

Routing Cables

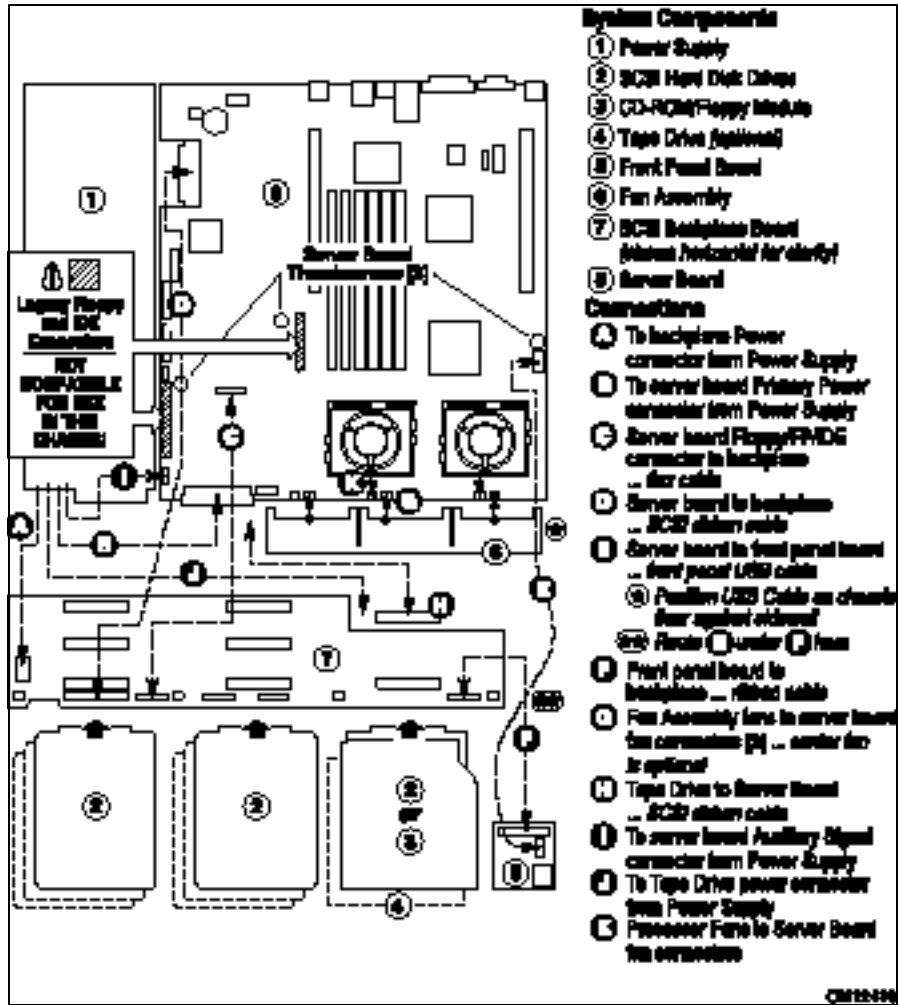


Figure 12. Cable Routing

1. Verify that the P6 backplane power cable (A) is routed from the power supply to the backplane board and is connected to the white 6-pin connector.
2. To facilitate fan installation, grasp the P1 server board power cable connector and twist the cables (B) one full turn clockwise.
3. Route the P1 server board power cable from the power supply and connect it to the white 24-pin connector on the server board. Firmly press the two connectors together until they are fully seated.
4. If you are not installing a tape drive, coil the P3 tape drive power cable, wire tie the coil, and place it on the floor.
5. Route the P2 auxiliary signal cable (I) from the power supply to the server board and connect it to the 5-pin auxiliary signal connector.
6. Connect the USB cable (E) to the USB connector on the server board. Route the cable along the chassis floor at the bottom of the chassis sidewall (*). Connect it to the front panel board.
7. Install the fan assembly (refer to “Installing the Fan Assembly” on page 28.)

8. Remove the flex circuit cable (C) from the cable bag in the accessory kit. Note that one end of the cable has a caution label attached to it. Connect the opposite end of the cable to the floppy/front panel/IDE connector on the server board. Route the cable to the backplane board and connect the other cable end to the matching connector on the backplane.



CAUTION

After connection of cable (C) in step 8, ensure that each cable connector is properly seated in the board connector. The connector should be parallel to its board connector and not cocked to one side. If in doubt, remove, reinsert, and recheck.



Figure 13. Floppy/FP/IDE Cable Caution

9. Locate the end of the SCSI ribbon cable (D) that is labeled baseboard. Connect that end to the SCSI connector on the server board. Route the cable to the backplane board and connect it to the matching connector on the backplane board.
10. Ensure that the front panel cable (F) is connected to the front panel board, routed over USB cable (E) (***) to the backplane, and connected to the matching connector.
11. If you have installed a tape drive, connect the tape drive power cable (J) to the drive.

Installing the Fan Assembly



CAUTION

When installing the fan assembly, avoid pinching cables routed in the area.

1. Note the raised tabs on the chassis floor and the corresponding holes in the bottom of the fan assembly.
2. Lower the fan assembly as shown in Figure 14 until it is just above the chassis floor.
 - As necessary, mold the power cable bundle to create additional clearance.
 - Ensure the USB cable is against the chassis sidewall and positioned low enough to fit into the notch in the end of the fan assembly.
3. Align the holes in the fan assembly with the raised tabs on the chassis and lower the fan assembly onto the floor.
4. While pressing down on the fan assembly, slide it in the direction of arrow (A) until latch (B) snaps in place.

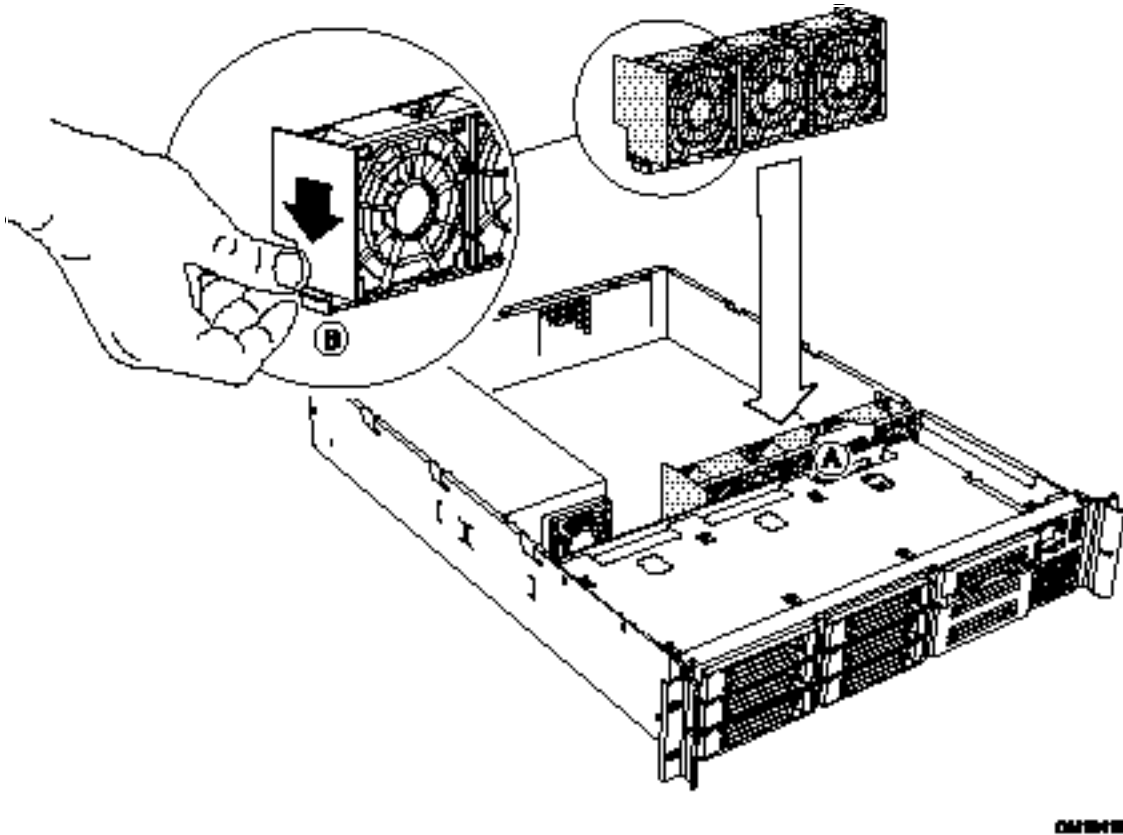


Figure 14. Installing the Fan Assembly

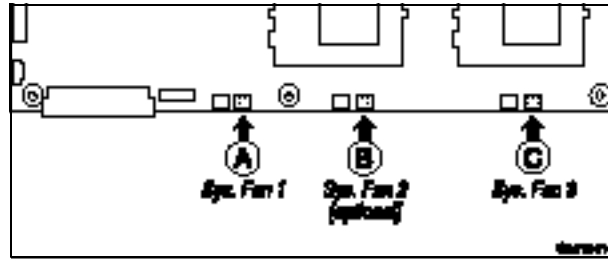


Figure 15. Connecting Fans to the Server Board

5. Connect the fan power cables to the server board at the system fan connectors (Figure 15).
6. Return to page 26 and complete the cabling of your server.

Installing the Power Cord and Strain Relief Strap



NOTE

If you will be placing your server in a rack, wait to install the power cord until after the server is in the rack.

1. Attach the strain relief strap to the chassis (A).
2. Plug the power cord into the power supply but not into the power source.
3. Insert the power cord into the plastic loop (B) of the strain relief.
4. Pull the plastic band (C) until it tightens around the power cord.

To release the plastic loop and free the cord, squeeze the release lever (D).

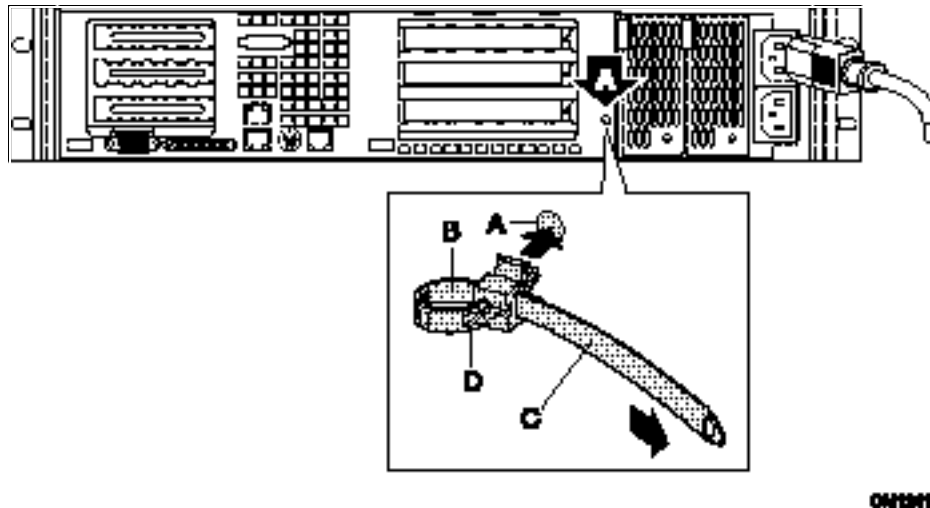


Figure 16. Installing the Power Cord and Strain Relief Strap

Adding Components to the Server Board

After installing the server board, you must add the desired number of processors and memory DIMMs. For instructions, see the *Intel Server Board SCB2 Quick Start Guide* that shipped with your server board.



NOTE

Once the server board and its components are installed, you are done assembling the system unless you have optional peripherals or add-in cards you wish to install. If you need to install these components, continue on to the next section. Otherwise, install the cover and bezel and continue on to Chapter 3, “Installing the System in a Rack” found on page 45.

Installing Peripherals

Peripherals and add-in cards are not included in your system and must be purchased separately. The following sections describe how to install PCI add-in cards, hard disk drives, a CD-ROM drive/floppy disk drive, and a tape drive.

Installing a PCI Card on a Riser Card

The riser card nearest the chassis sidewall (see Figure 19, B, on page 33) supports three Low Profile (LP) PCI add-in cards. The riser card on the chassis centerline (see Figure 19, A, on page 33) supports three full-length, full-height PCI add-in cards or three LP cards (an LP card must be equipped with a standard full-height PCI mounting bracket).

PCI add-in cards must be installed on a riser card while the riser card is removed from the chassis. If you do not have PCI cards to install, proceed to page 33, “Installing the Riser Cards on the Server Board”.

1. Open the retainer clip (Figure 17, A) and remove the desired filler panel from the rear retention bracket (B) of the riser card.
 - If you are installing a full-length card, open the full-length card lock located on the opposite end of the riser assembly.
 - If your full-length card has a card guide attached to the end opposite the metal bracket, remove the guide.
2. Insert the edge connector of the PCI card into the desired slot of the riser card (D) while inserting the end of the card's metal bracket in opening (C).
 - If you are installing a full-length card, insert the end opposite the metal bracket into the full-length card lock.
3. Firmly push the PCI card's edge connector into the riser card slot until it is fully seated.
4. Close the retainer clip (E). Ensure the clip is latched.
 - If you are installing a full-length card, also close the full-length card lock.

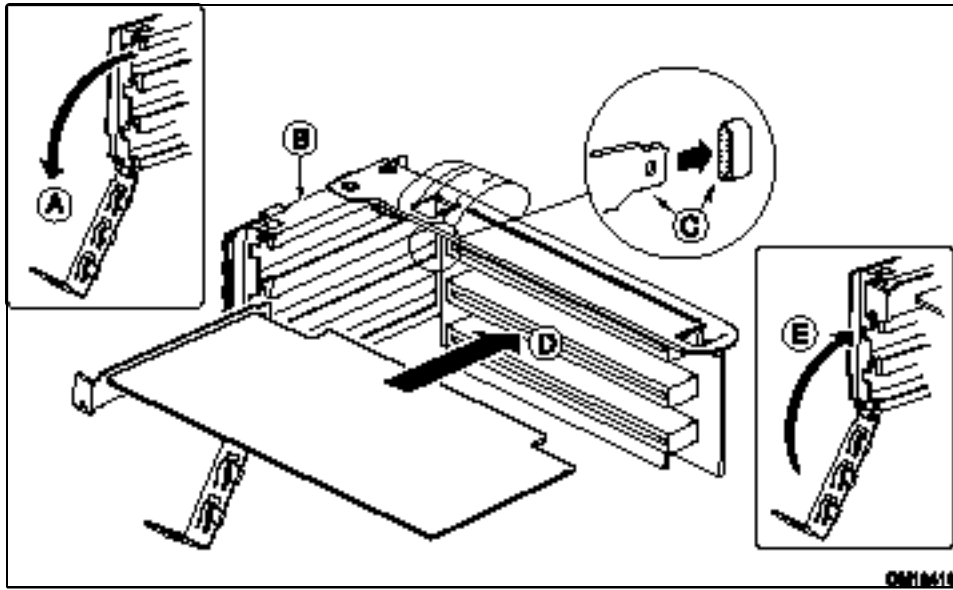


Figure 17. Installing a Low-Profile PCI Card in a Riser Card

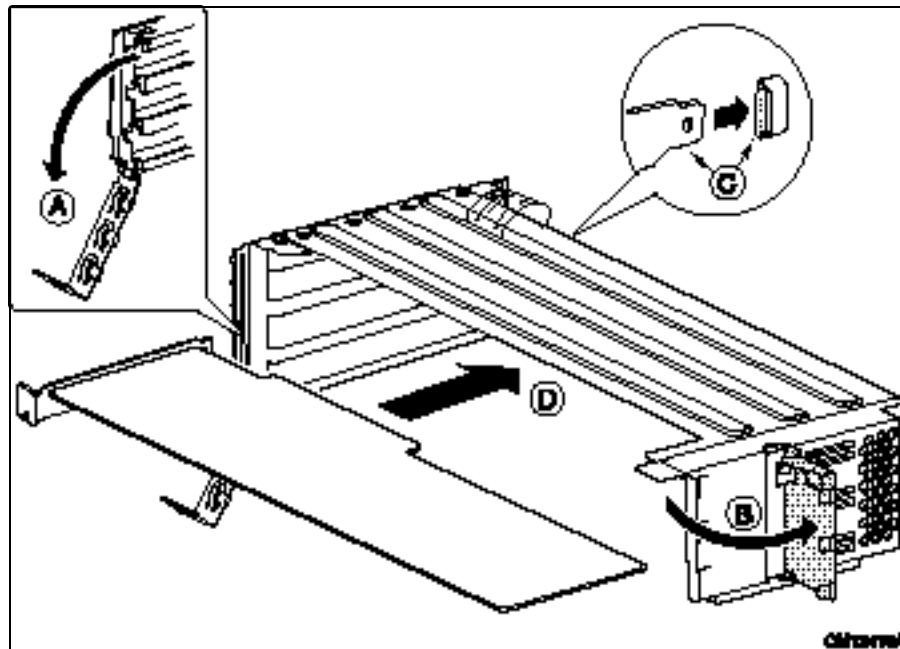
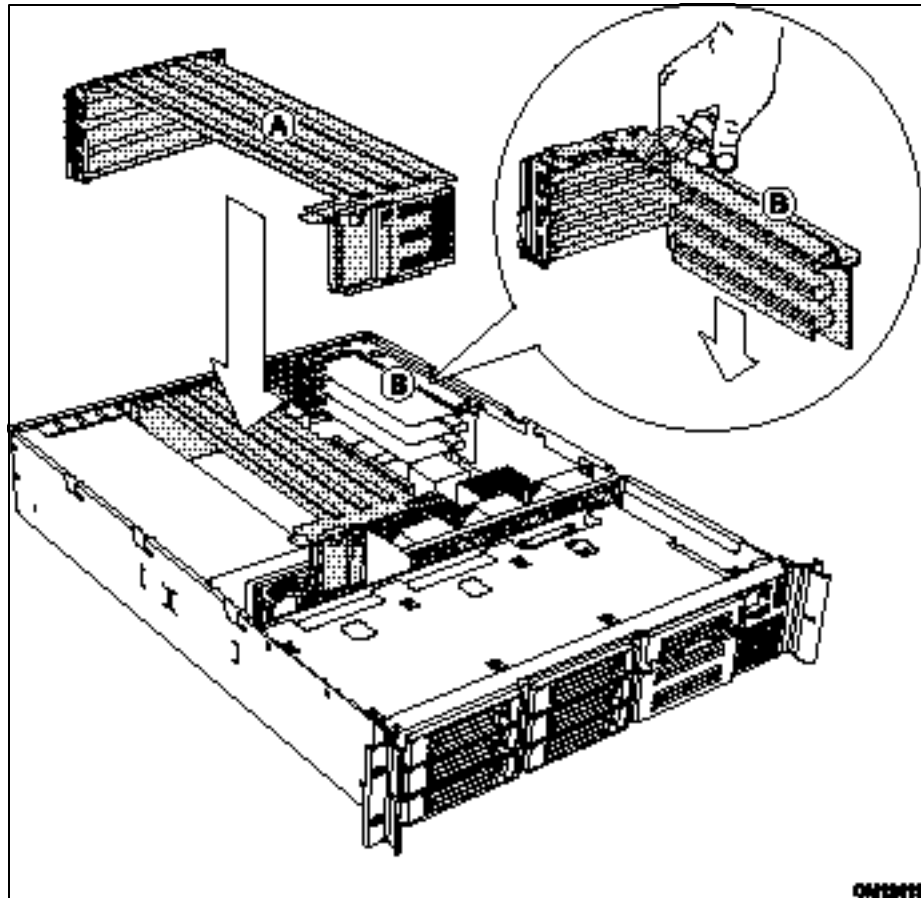


Figure 18. Installing a Full-Length PCI Card in a Riser Card

Installing the Riser Cards on the Server Board

1. Align the riser card connector with the server board slot while aligning the tabs on the rear retention bracket with the holes in the chassis.
2. Firmly press the riser card straight down until it is fully seated in the server board slot.
3. Install the other riser card in the same manner.



- A. Low-profile riser card
- B. Full-length riser card

Figure 19. Installing a Riser Card on the Server Board

Installing a Hard Drive

The server can support up to seven hot swappable hard drives: six hard drives in the drive bays, plus one in the flex bay.



CAUTION

To allow proper airflow and server cooling, all drive bays must contain either a carrier with a hard drive installed or a carrier with an air baffle installed.

1. If present, remove the front bezel.
2. If the drive carrier is installed in the drive bay, remove it.
3. Remove the air baffle (Figure 20, A) from the drive carrier by removing the four screws (B) from the slide track (C).
4. Store the air baffle for future reinstallation in the event you must operate your server without a drive in one of the bays.

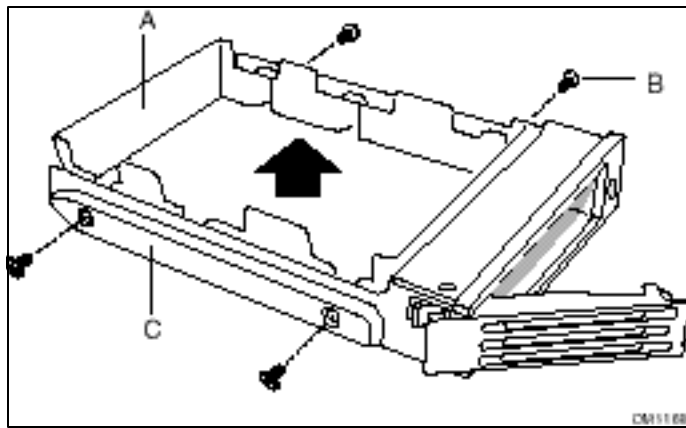


Figure 20. Removing an Air Baffle from a Drive Carrier

5. Remove the hard drive from its wrapper and place it on an anti-static surface.
6. Set any jumpers and/or switches on the drive according to the drive manufacturer's instructions.
7. With the drive circuit-side-down (Figure 21, A), position the connector end (E) so that it is facing the back of the carrier (B).
8. Align the holes in the drive to the holes in the drive carrier slide track (C), insert the screws (D) that you previously removed, and attach the carrier to the drive.

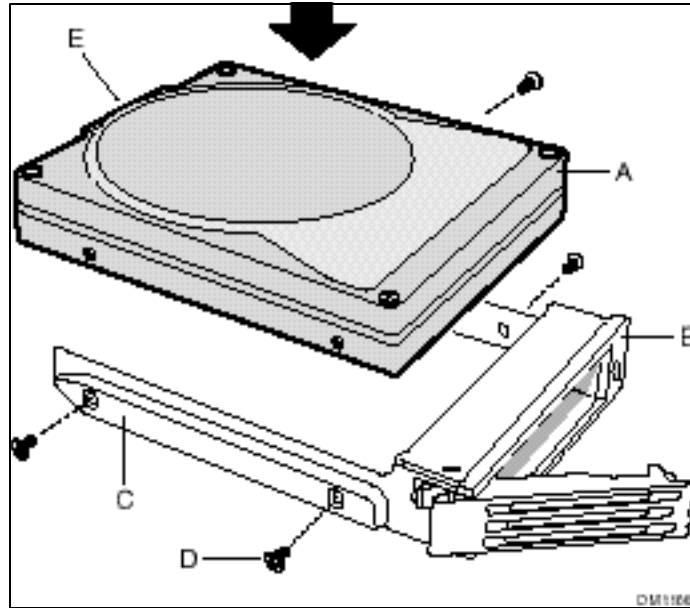


Figure 21. Attaching the Drive to the Carrier

9. Slide the carrier/drive all the way into the drive bay with the retention lever in the fully open position.
10. Push the retention lever closed to secure the carrier/drive in the bay.
11. Reinstall a carrier/air baffle in any bays where you are not installing a carrier/drive.

Installing a CD-ROM Drive/FDD Module

Your server does not come with a CD-ROM drive or floppy disk drive. As an accessory, Intel offers a slim-line CD-ROM drive/FDD module that you may purchase and install in the flex bay.

1. Remove the filler panel and plug from the front of the chassis.
2. Ensure the handle bar (A) on the front of the module is rotated to the down position.
3. Insert the module into the flex bay and slide it back until you feel the connectors touch.
4. With your thumbs positioned above the handle bar indentations (B), push the module in until it locks in place.

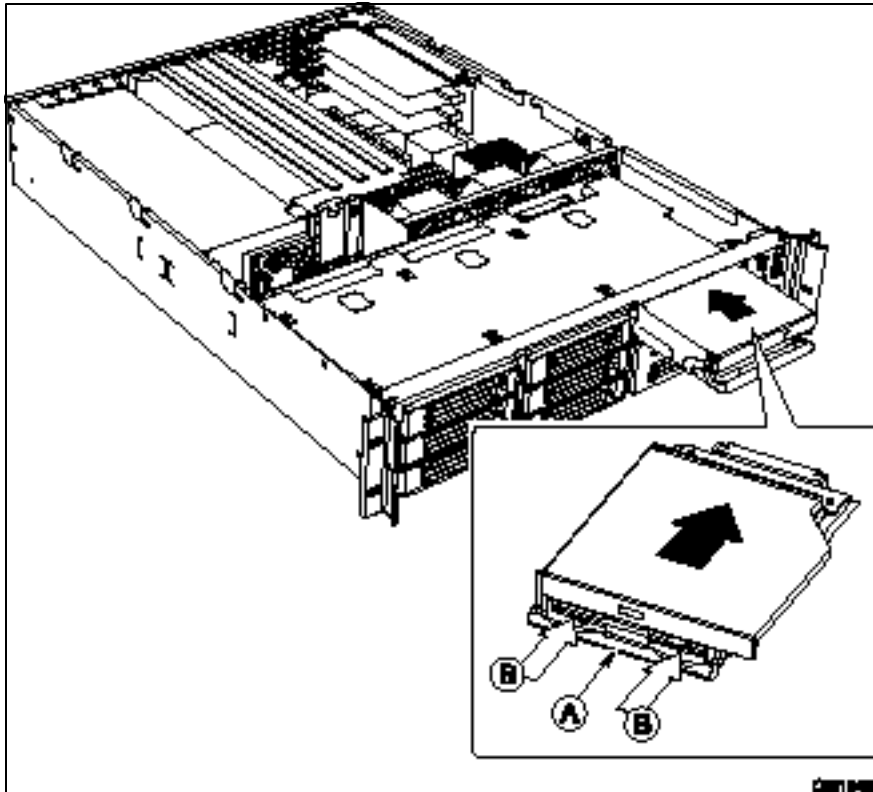


Figure 22. Installing a CD-ROM Drive/FDD Module

Installing a Tape Drive

You may purchase a tape drive and install it in the 3.5-inch drive bay using the carrier provided. SCSI tape drives are recommended due to the cable length required. If you install an IDE tape drive, you must install an IDE add-in controller card. The cable routing will be similar to what is shown for a SCSI tape drive.



NOTE

Using the legacy IDE connector on the SCB2 server board to support an IDE peripheral device in the SR2200 chassis is not a supported configuration. Using this connector in the SR2200 chassis may produce unreliable operation of the IDE device and may result in data loss.

If you install a SCSI tape drive, you can connect it one of two ways:

- To the on-board SCSI controller. This requires that you connect the backplane to an add-in RAID or SCSI controller.
- To an add-in SCSI controller board. This allows you to leave the backplane connected to the on-board SCSI controller.

Mounting the Tape Drive

1. Remove the chassis cover.
2. Remove the blank panel from the bay.
3. Push on the retainer clip at the rear of the carrier (A) to release it from the chassis.
4. Remove the carrier by sliding it toward the front of the chassis.
5. Set any jumpers and/or switches on your tape drive (B) according to the drive manufacturer's instructions.
6. Install the tape drive in the carrier.
7. Insert the carrier/drive assembly in the empty bay and slide it toward the rear of the chassis until the retainer clip latches.

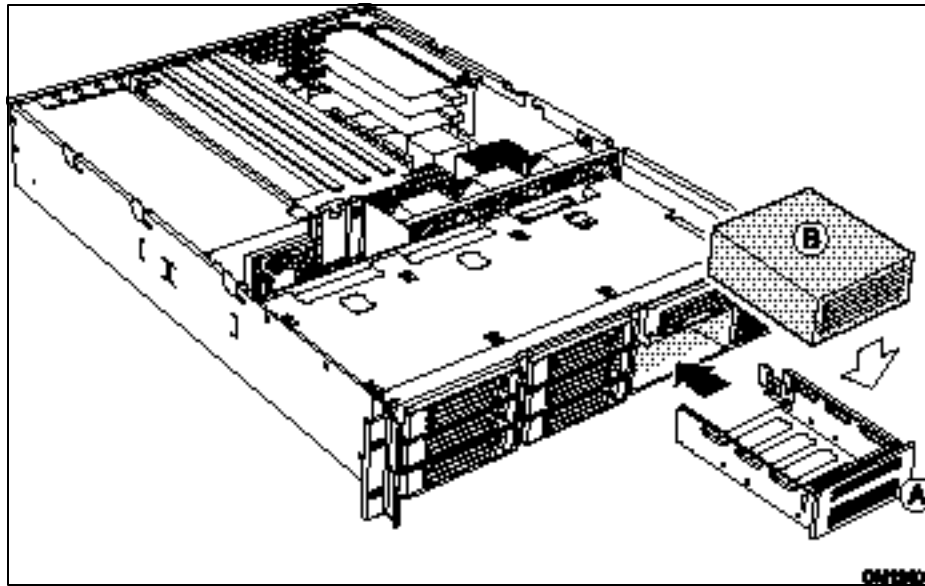


Figure 23. Mounting a Tape Drive



CAUTION

Carefully route cables to minimize airflow blockage and cooling problems.

Suggested Tape Drive Cabling

A peripheral power cable (4-pin connector) is included in the cable output from the power supply. Route and connect to the tape drive before the SCSI cable is installed.

Connecting to the On-board SCSI Controller

1. Obtain a SCSI cable with an unfolded length of 26-inches.
2. Flatten the cable and fold it in half beginning about 1-inch from the tape drive end (see Figure 24, A, on page 39). Continue folding for a distance of about 10-inches.
3. Fold the cable in half again and secure with electrical tape.
4. Connect the cable to the tape drive (see Figure 25, A, on page 39) and carefully route the folded and taped section on the chassis floor between the fan assembly (C) and the tape drive (A).
5. Connect the cable to the on-board SCSI controller at connector (B).

Because the on-board SCSI controller is now unavailable, you will need to install a PCI add-in card that provides RAID or SCSI control and connect it to the backplane.

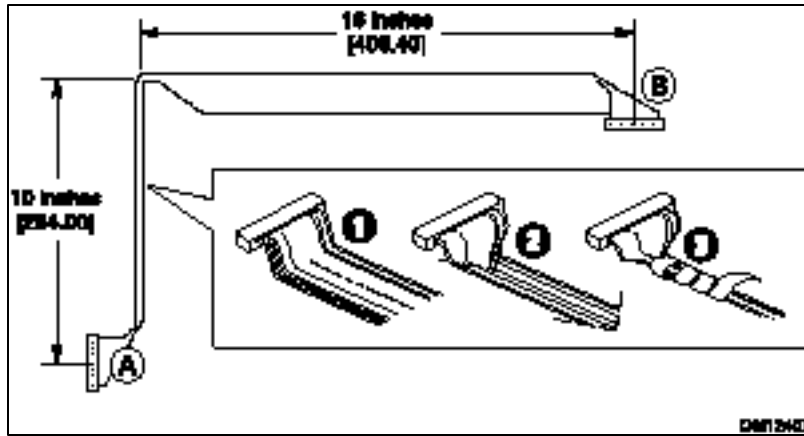


Figure 24. Preparing a SCSI Cable: Tape Drive to On-board SCSI Controller

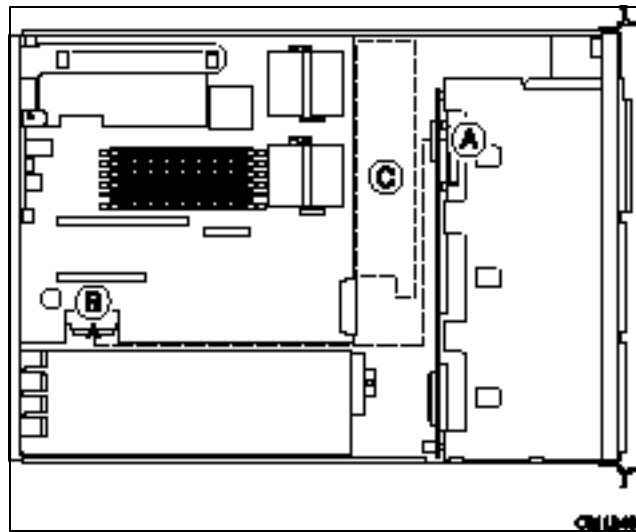


Figure 25. Cable Routing: Tape Drive to On-board SCSI Controller

Connecting to a SCSI Controller on a Full-height PCI Card

1. Obtain a SCSI cable with an unfolded length of 26-inches.
2. Flatten the cable and fold it in half beginning about 1-inch from the tape drive end (see Figure 24, A). Continue folding for a distance of about 10-inches.
3. Fold the cable in half again and secure with electrical tape.
4. Connect the cable to the tape drive (see Figure 26, A) and carefully route the folded and taped section on the chassis floor between the fan assembly (C) and the tape drive (A).
5. Connect the cable to the SCSI controller (B) on the full-height PCI card.

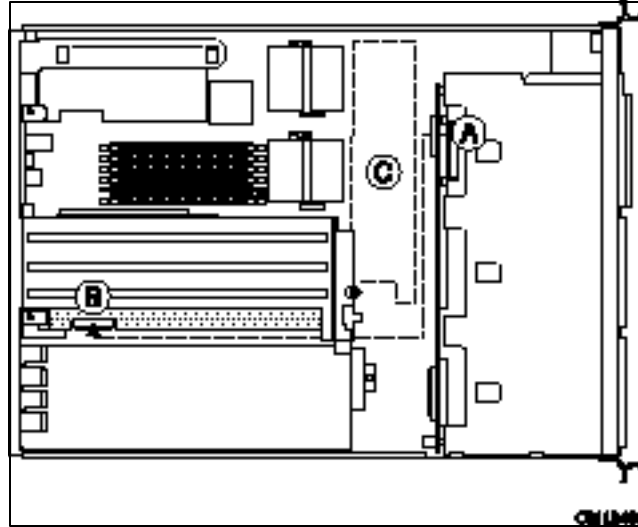


Figure 26. Cable Routing: Tape Drive to SCSI Controller on Full-height PCI Card

Connecting to a SCSI Controller on a Low Profile PCI Card

1. Obtain a SCSI cable with an unfolded length of 26-inches.
2. Flatten the cable and fold it in half for the full length, leaving about 1-inch at each end (see Figure 27).
3. Fold the cable in half again and secure with electrical tape.
4. Connect the cable to the tape drive (see Figure 28, A, on page 41) and carefully route the folded and taped section on the chassis floor between the fan assembly (C) and the tape drive (A).
5. Connect the cable to the SCSI controller (B) on the low-profile PCI card.

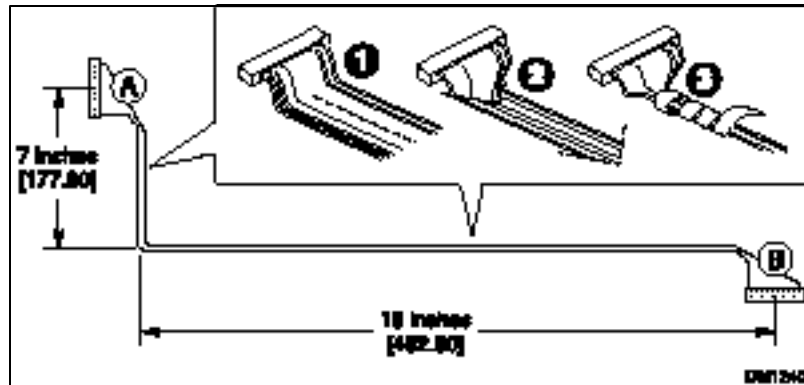


Figure 27. Preparing a SCSI Cable: Tape Drive to SCSI Controller on an L-P PCI Card

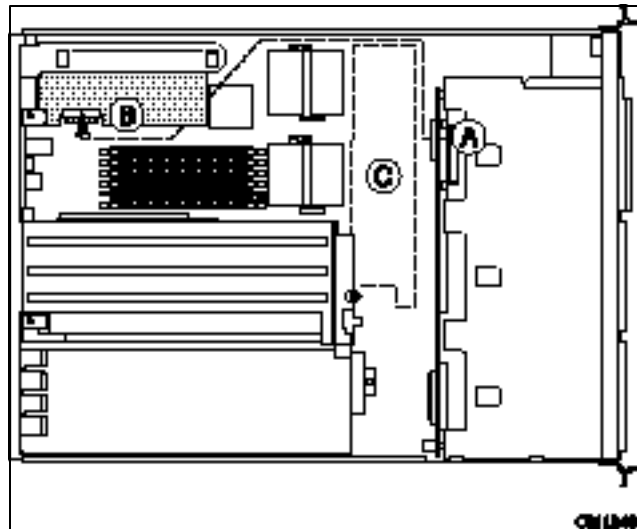


Figure 28. Cable Routing: Tape Drive to SCSI Controller on L-P PCI Card

Installing a COM 1 port in the Rear I/O

Using a standard DH-10 to DB-9 COM cable, you may install a COM 1 port in the opening provided in the rear I/O (see Figure 3, C, on page 10). Connect the other end to the COM 1 serial port header on the server board (see Figure 1, “Server Board Connector and Component Locations” in the *Intel Server Board SCB2 Quick Start Guide*.)

Installing the Bezel

Place the bezel between the chassis handles and push it toward the front of the chassis until it snaps into place.

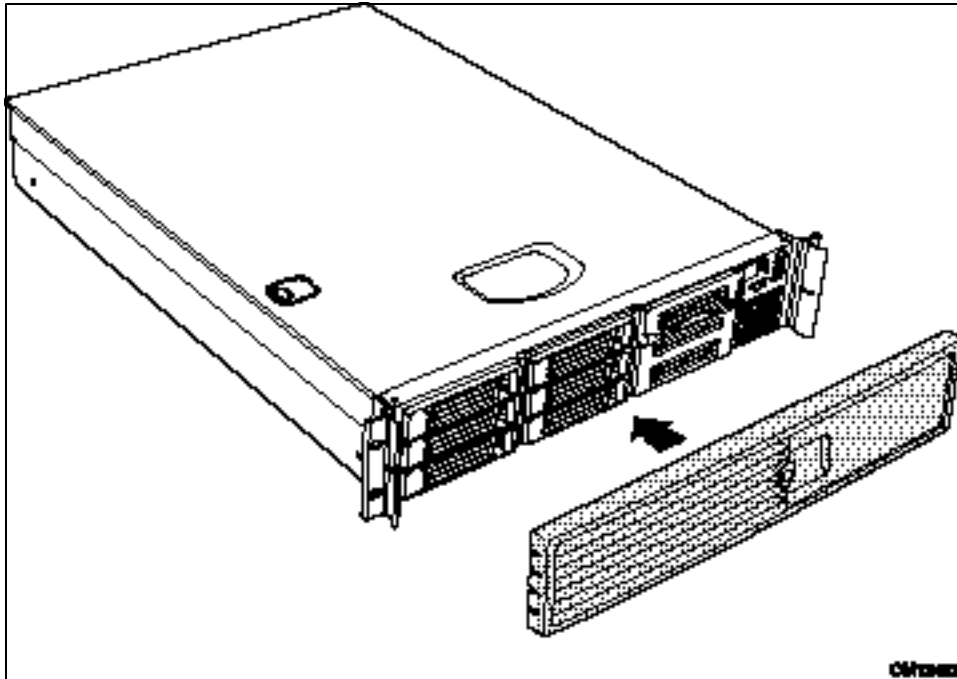


Figure 29. Installing the Bezel

3 Installing the System in a Rack

Your SR2200 chassis comes equipped with a rack mount kit that can be configured for front-mount, mid-mount, or 4-post racks. An optional slide rail kit may be purchased separately.

Each kit contains instructions for installation into a rack or cabinet. If you need additional copies, the order numbers are:

- SR1200 and SR2200 Rail Kit Installation Guide—A61347-002
- SR1200 and SR2200 Bracket Kit Installation Guide—A61346-002

Equipment Rack Precautions



CAUTION

ANCHOR THE EQUIPMENT RACK: The equipment rack must be anchored to an unmovable support to prevent it from falling over when one or more servers are extended in front of it on slide assemblies. The equipment rack must be installed according to the manufacturer's instructions. You must also consider the weight of any other device installed in the rack.

MAIN AC POWER DISCONNECT: You are responsible for installing an AC power disconnect for the entire rack unit. This main disconnect must be readily accessible, and it must be labeled as controlling power to the entire unit, not just to the server(s).

GROUNDING THE RACK INSTALLATION: To avoid the potential for an electrical shock hazard, you must include a third wire safety grounding conductor with the rack installation. If server power cords are plugged into AC outlets that are part of the rack, then you must provide proper grounding for the rack itself. If server power cords are plugged into wall AC outlets, the safety grounding conductor in each power cord provides proper grounding only for the server. You must provide additional, proper grounding for the rack and other devices installed in it.

OVER CURRENT PROTECTION: The server is designed for an AC line voltage source with up to 20 amperes of over current protection. If the power system for the equipment rack is installed on a branch circuit with more than 20 amperes of protection, you must provide supplemental protection for the server. If more than one server is installed in the rack, the power source for each server must be from a separate branch circuit.



CAUTION

Temperature: The operating temperature of the server, when installed in an equipment rack, must not go below 5 °C (41 °F) or rise above 35 °C (95 °F). Extreme fluctuations in temperature can cause a variety of problems in your server.

Ventilation: The equipment rack must provide sufficient airflow to the front of the server to maintain proper cooling. It must also include ventilation sufficient to exhaust a maximum of 1840 Btu's per hour for a fully loaded SR2200 server.

It is important to note that this is the maximum, and a minimum or typical system could be much less. You may want to calculate the BTU/hr more accurately for your configuration. An extra 500 BTU/hr over many systems would translate into a large error calculating air conditioning capacity.

4 Working Inside Your Server

This chapter describes how to replace components in your server after it has been set up. All references to left, right, front and rear are based on the reader facing the front of the chassis.

Tools and Supplies Needed

- Antistatic wrist strap (recommended)

Safety: Before You Remove the Cover

Before removing the system cover to work inside the system, observe these safety guidelines:

1. Turn off all peripheral devices connected to the system.
2. Turn off the system by pressing the power button on the front of the system. Then unplug the AC power cord from the system or wall outlet.
3. Label and disconnect all peripheral cables and all telecommunication lines connected to I/O connectors or ports on the back of the system.
4. Attach a wrist strap to a chassis ground of the system—any unpainted metal surface—before handling components.

Warnings and Cautions

These warnings and cautions apply whenever you remove the chassis cover to access components inside the server. Only a technically qualified person should integrate and configure the server.

Lithium Battery Replacement



CAUTION

Refer to technically qualified persons only for replacement of battery.

The following warning is provided on the server board configuration label, which is provided with the Intel server board boxed product. There is insufficient space on the server board to place this label. Therefore, the label must be placed permanently on the inside of the chassis, as close to the battery as possible.



WARNING

Danger of explosion if battery is incorrectly replaced. Replace with only the same or equivalent type recommended by the manufacturer.

Dispose of used batteries according to the manufacturer's instructions.



ADVARSEL!

Lithiumbatteri - Eksplosions fare ved fejlagtig håndtering. Udskiftning må kun ske med batteri af samme fabrikat og type. Levér det brugte batteri tilbage til leverandøren.



ADVARSEL!

Lithiumbatteri - Eksplosjonsfare. Ved utskifting benyttes kun batteri som anbefalt av apparatfabrikanten. Brukt batteri returneres apparatleverandøren.



VARNING

Explosionsfara vid felaktigt batteribyte. Använd samma batterityp eller en ekvivalent typ som rekommenderas av apparattillverkaren. Kassera använt batteri enligt fabrikantens instruktion.



VAROITUS

Paristo voi räjähtää, jos se on virheellisesti asennettu. Vaihda paristo ainoastaan laitevalmistajan suosittelemaan tyyppiin. Hävitä käytetty paristo valmistajan ohjeiden mukaisesti.

Replacing Components

Replacing a Hard Drive



CAUTION

To allow proper airflow and cooling during operation, all drive bays must contain either a carrier/drive or a carrier with air baffle installed.

1. Before removing the cover to work inside the system, observe the safety guidelines on page 47.
2. Remove the bezel from the front of the chassis.
3. Pull the retention lever (A) toward you until the tab end (B) of the lever is free of the housing slot (C).
4. Pull the carrier/drive forward and out of the drive bay.

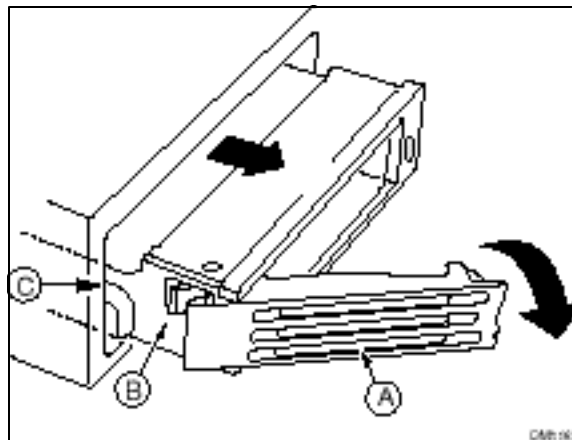


Figure 30. Removing a Carrier and Hard Drive from a Drive Bay

5. Remove the hard drive from the carrier (A) by removing the four screws (D) from the slide track (C). Lift the drive out of the carrier (B).
6. Remove the new hard drive from its wrapper and place it on an anti-static surface.
7. Set any jumpers and/or switches on the drive according to the drive manufacturer's instructions.

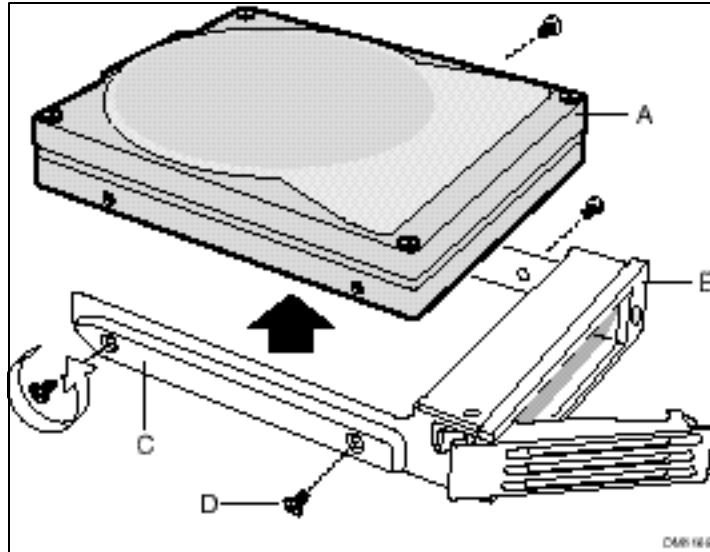


Figure 31. Removing a Hard Drive from a Carrier

8. Install the new drive in the carrier and the carrier/drive into the drive bay (see steps 7 through 10 of "Installing a Hard Drive" on page 34).
9. Reinstall a carrier/air baffle in any bays where you are not reinstalling a carrier/drive.

Replacing a CD-ROM Drive/FDD Module



CAUTION

A CD-ROM drive/FDD module is NOT hot swappable. Before replacing it, you must first take the server out of service, turn off all peripheral devices connected to the system, turn off the system by pressing the power button, and unplug the AC power cord from the system or wall outlet.

1. Remove the bezel from the front of the chassis.
2. Rotate the handle bar (A) up about 1/4-inch (6-mm) to unlatch the module from the bay.
3. Grasp the handle bar at both ends and firmly pull out to disengage the connector. (When you first pull, resistance will be high until the connector disengages.)
4. Slide the module out of the flex bay.
5. On the replacement module, rotate the handle bar down.
6. Insert the replacement module into the flex bay and slide it back until you feel the connectors touch.
7. With your thumbs positioned above the handle bar indentations (B), push the module in until it locks in place.
8. Reinstall the bezel.

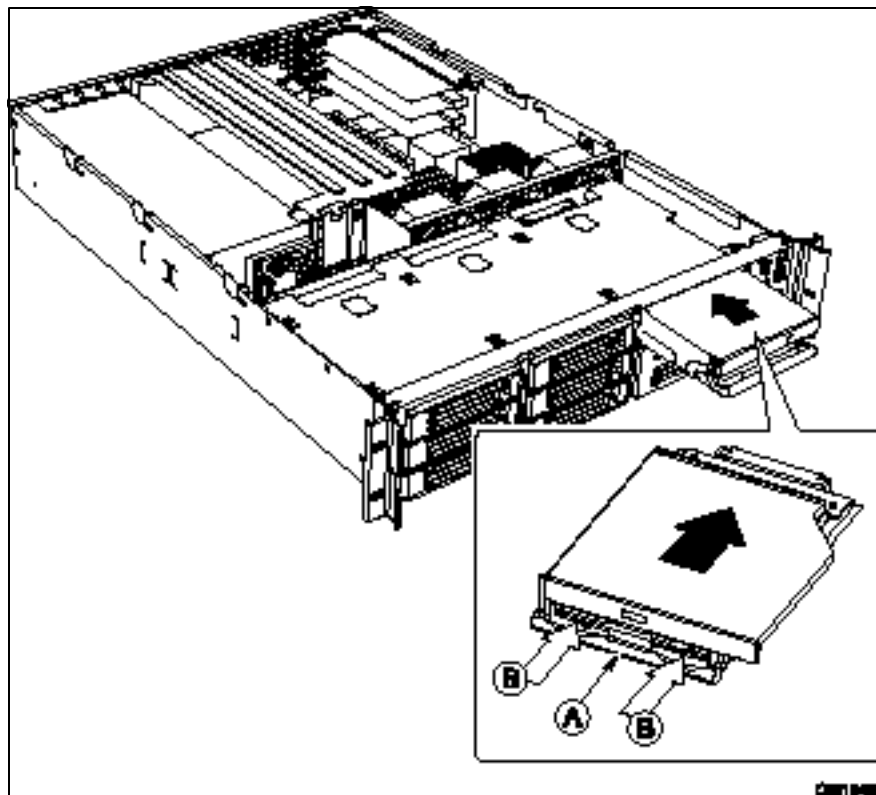


Figure 32. Installing a CD-ROM Drive/FDD Module

Replacing a PCI Add-in Card

If you will be replacing a low-profile PCI add-in card, see Figure 33 on page 53.

If you will be replacing a full-length PCI add-in card, see Figure 34, page 54.

1. Before removing the cover to work inside the system, observe the safety guidelines on page 47.
2. Insert your finger in loop A and remove the riser card assembly that contains the add-in card you desire to replace.
 - If you are removing a full-length card, also grasp the opposite end.
3. Open the retainer clip B on the riser card retention bracket.
 - If you are removing a full-length card, open the full-length card lock located on the opposite end of the riser assembly.
4. Pull the PCI card (C) out of the riser card assembly.
5. Insert the edge-connector of the replacement PCI card into the slot of the riser card while inserting the end of the PCI card's metal bracket in opening.
 - If you are installing a full-length card, also insert the end of the card opposite the metal bracket into the slots of the full-length card lock.
7. Firmly push the PCI card's edge-connector into the riser card slot until it is fully seated.
8. Close the retainer clip and ensure it is latched.
 - If you are installing a full-length card, also close the full-length card lock.
9. Insert the riser card connector in the server board slot while aligning the tabs on the rear retention bracket with the holes in the chassis.
10. Firmly press the riser card straight down until it is seated in the server board slot.

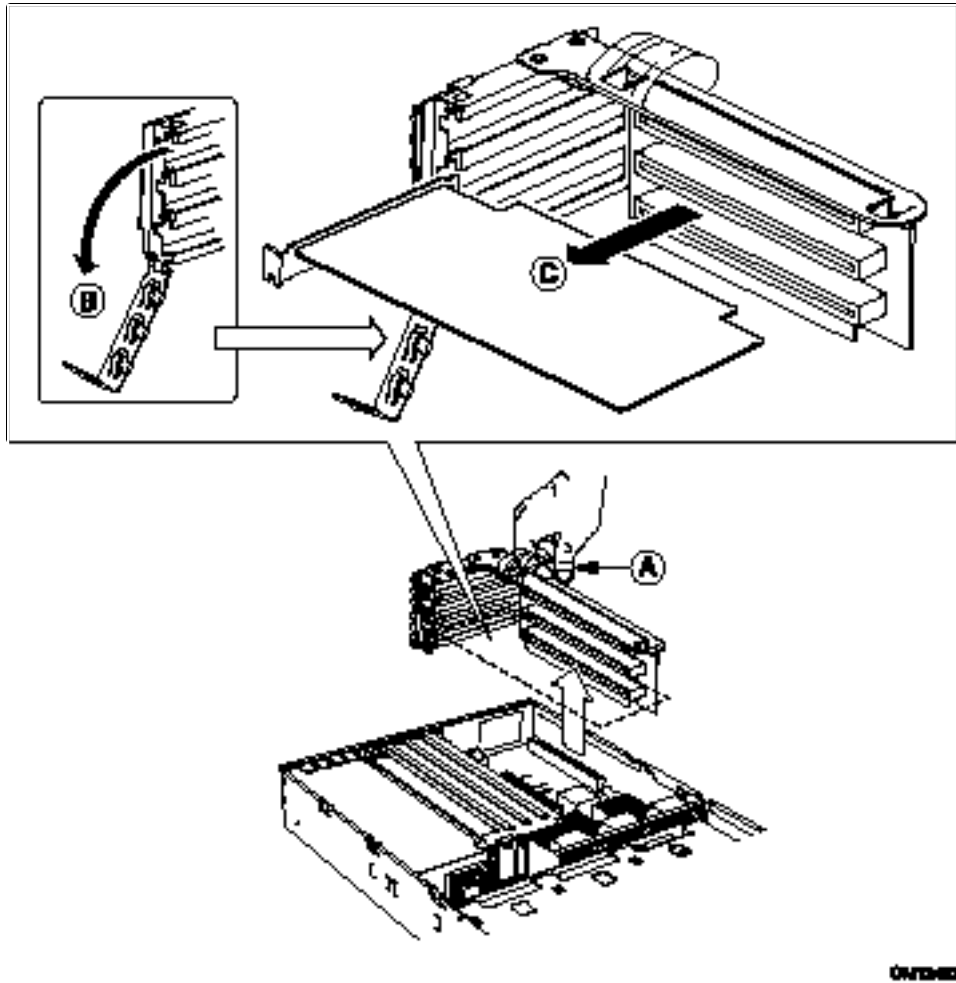


Figure 33. Removing a Riser Card for Low-Profile PCI's

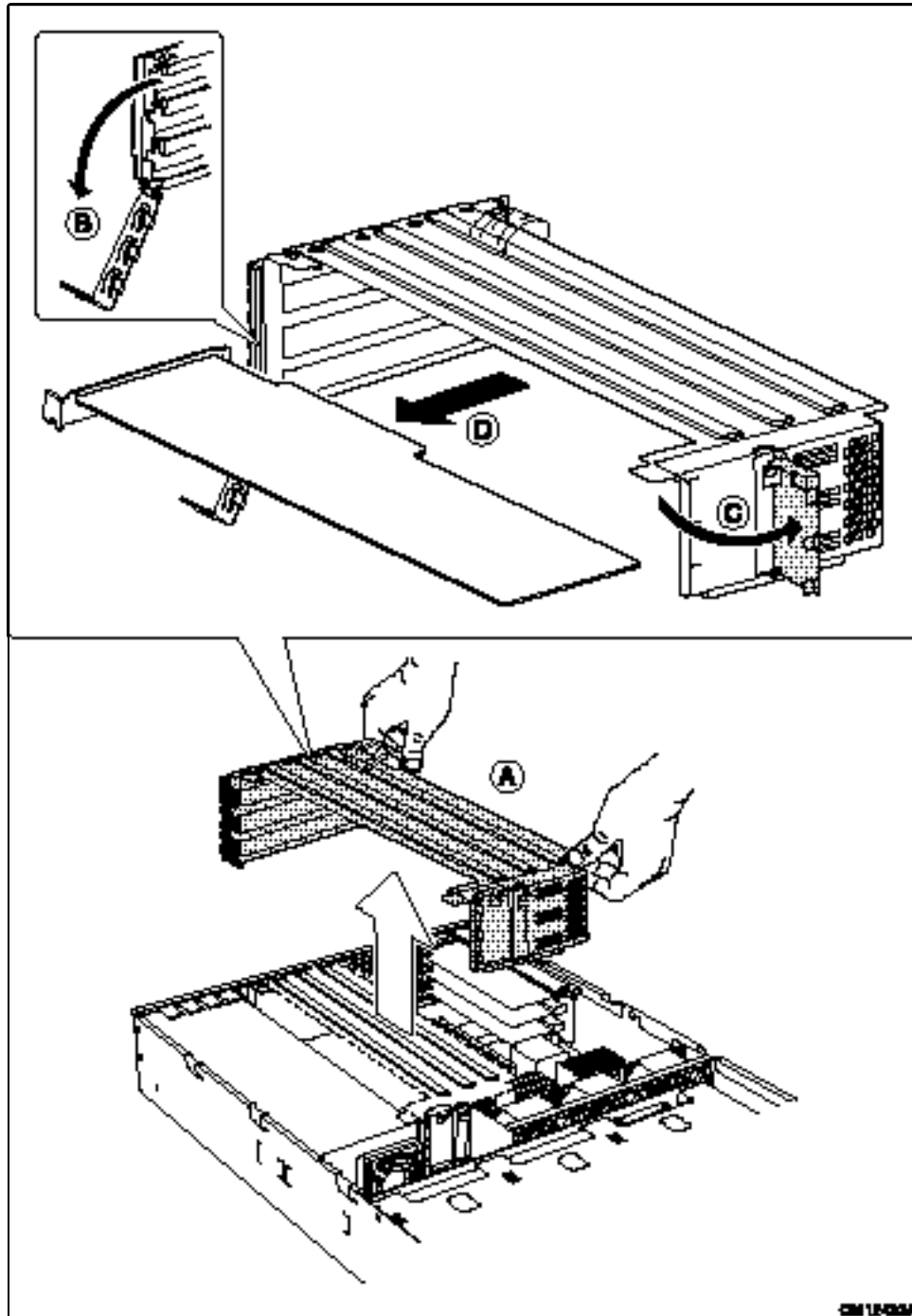


Figure 34. Removing a Riser Card for Full-Length PCI's

Replacing a Power Supply Module

The power supply system consists of the power supply bay and either one or two power supply modules. The optional second module provides a redundant, 1+1 system.



CAUTION

If you do not have the second, redundant power supply module, you must take the server out of service before replacing the single module.

1. Squeeze the module handle to depress the latch (Figure 35, A) that is the right side of the handle.
2. Rotate the handle down (B) while pulling the module toward you (C). As you pull the module out, support the module with your free hand.
3. Insert a new power supply module in the bay.
4. Grip the module handle, rotate it down, and push the module into the bay.
5. When the module is nearly all of the way in, the handle will rotate up. At this time, push firmly on the front of the handle to lock the latch.
6. The power supply module is now functional and the power supply fault indicator should not be lit.

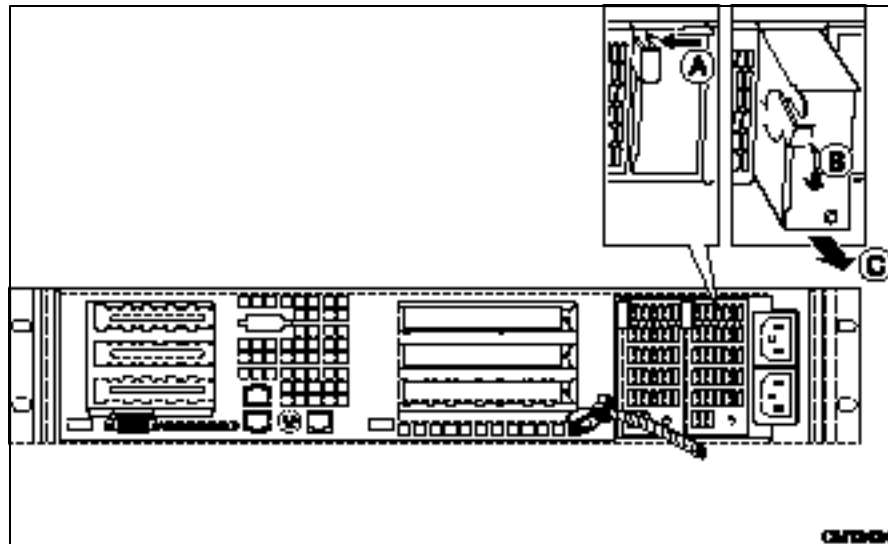


Figure 35. Replacing a Power Supply Module

Replacing a Power Supply Cage

1. Unplug the power cord from the power source.
2. At the rear of the server, release the strain relief(s) and unplug the power cord(s) from the power supply.
3. Remove the power supply modules.
4. Remove the chassis cover.
5. Remove the full-height PCI riser card.
6. Remove the fan assembly.
7. Disconnect and remove all data cabling necessary to gain access to the power cables.
8. Disconnect the main power connector from the server board.
9. Disconnect all other power cables from their devices.
10. At the rear of the chassis, remove the two screws (A) that secure the power supply.



NOTE

In Figure 36, B, the power cables are not shown for clarity.

11. At the fan end of the power supply, remove the screw (C) that attaches the power supply to the standoff in the chassis floor.

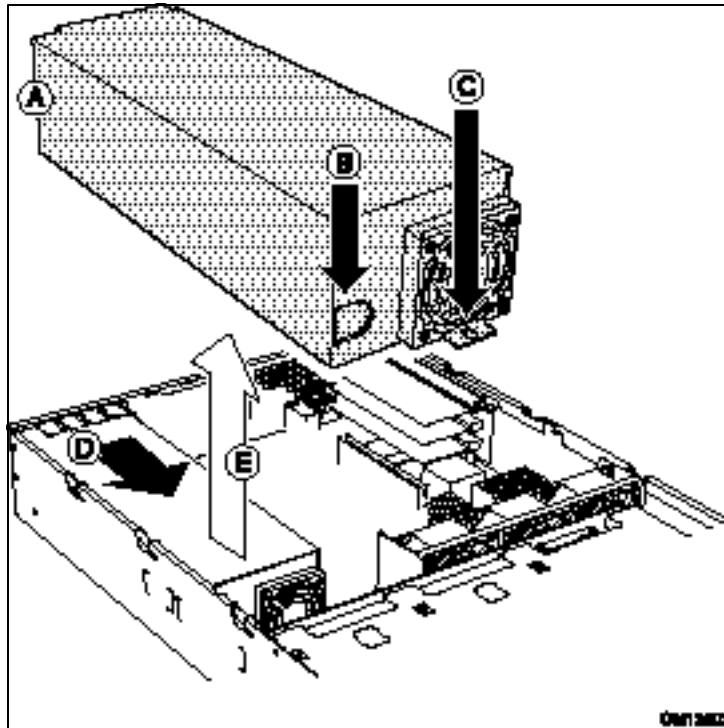


Figure 36. Replacing a Power Supply Cage

12. Lift the fan end of the power supply above the chassis standoff and slide it toward the front of the server (D). Lift the power supply out of the chassis (E).
13. Place the new power supply in the chassis and slide it to the rear as far as it will go.

14. Install the two screws at the rear of the chassis and the one screw at the fan end of the power supply.
15. Place the power cables in the bundle clip.
16. Plug the main power connector into the server board.
17. Connect all other power cables to their devices.
18. Install the fan assembly and connect the fan power cables to the server board.
19. Install the full-height PCI riser card.
20. Route and connect all data cables.



CAUTION

Carefully route cables in their original paths to minimize airflow blockage and cooling problems.

21. Install the chassis cover.
22. Connect the power cord(s) to the power cord receptacle(s) and plug the cord(s) back into the power source.

Replacing a Fan

1. Before removing the cover to work inside the system, observe the safety guidelines on page 47.
2. Remove the cover from the chassis.
3. Remove the full-height PCI riser card.
4. Unplug the fan cables (Figure 37, A) from the server board.
5. At the end of the fan assembly closest to the chassis centerline, lift up on tab (B) and slide the fan assembly toward the chassis centerline (C) until it releases from the chassis.

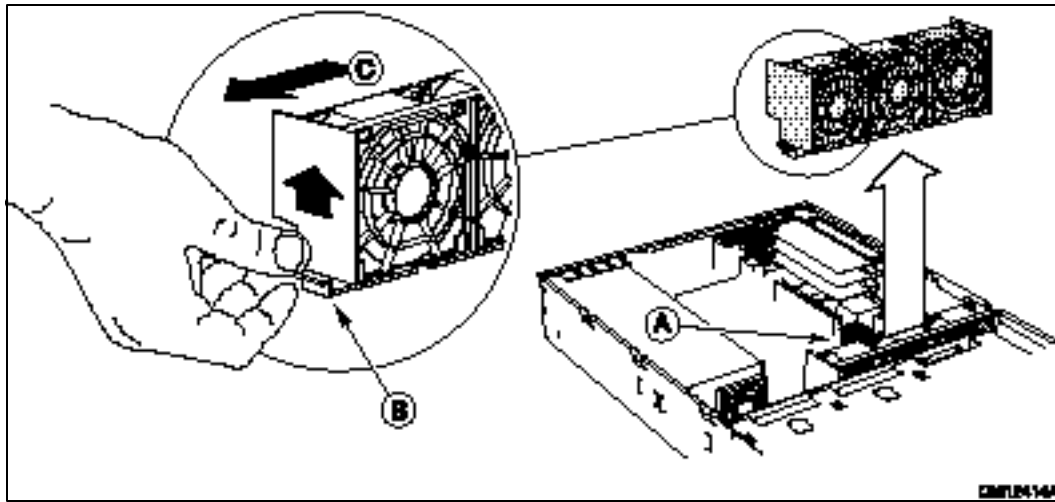


Figure 37. Removing the Fan Assembly

6. At the base of the failed fan, press down on the tab (Figure 38, A) while rotating the bottom of the fan out (B) and remove the failed fan from the fan assembly.

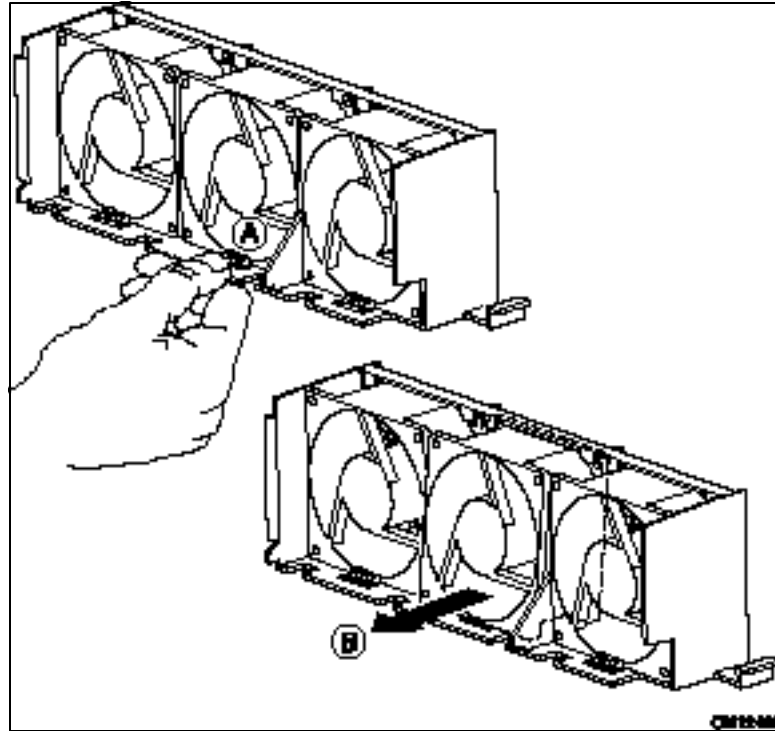


Figure 38. Removing a Fan

7. Insert the top of a new fan into the fan assembly and rotate the bottom in until tab (B) locks it in place.
8. Ensure the USB cable is against the chassis sidewall and positioned low enough to fit into the notch in the end of the fan assembly.
9. Align the holes in the fan assembly with the raised tabs on the chassis and lower the fan assembly onto the chassis floor.
10. Slide the fan assembly toward the chassis sidewall until it has locked in place.
11. Plug the fan cables into the server board system fan connectors.
12. Install the full-height PCI riser card.
13. Replace the chassis cover.

Replacing a Backplane Board

1. Before removing the cover to work inside the system, observe the safety guidelines on page 47.
2. Remove the cover from the chassis.
3. Remove all hard drives and peripherals from their bays.
4. Remove the full-height PCI riser card assembly.
5. Remove the fan assembly.
6. Unplug all cables connected to the backplane board.
7. Remove the four mounting screws (Figure 39, A) along the top of the board and lift it out of the chassis.
8. Lower the replacement backplane board into the chassis, inserting the lower corners (B) and (C) into their slotted chassis tabs.
9. Install and tighten the four mounting screws.



CAUTION

Carefully route cables in their original paths to minimize airflow blockage and cooling problems.

10. Connect all cables to the board.
11. Install the fan assembly.
12. Install the full-height PCI riser card.
13. Install all hard drives and peripherals in their bays.
14. Install the chassis cover.

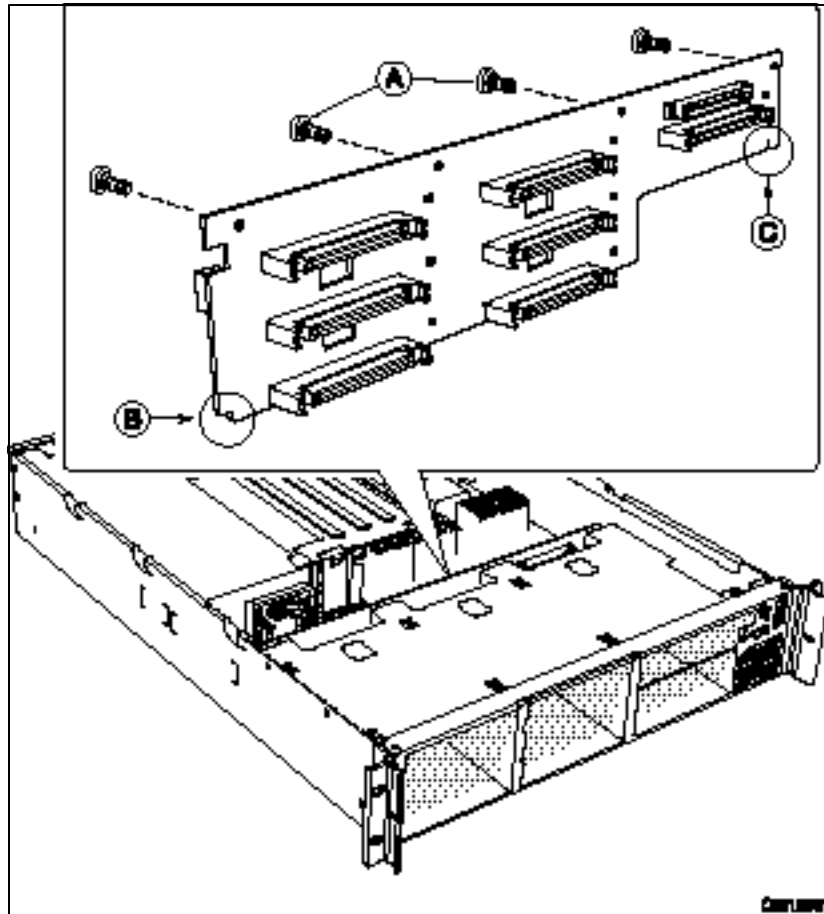


Figure 39. Replacing a Backplane Board

Replacing a Front Panel Board

1. Before removing the cover to work inside the system, observe the safety guidelines on page 47.
2. Remove the cover from the chassis.
3. Unplug the USB and backplane cables from the front panel board (A).

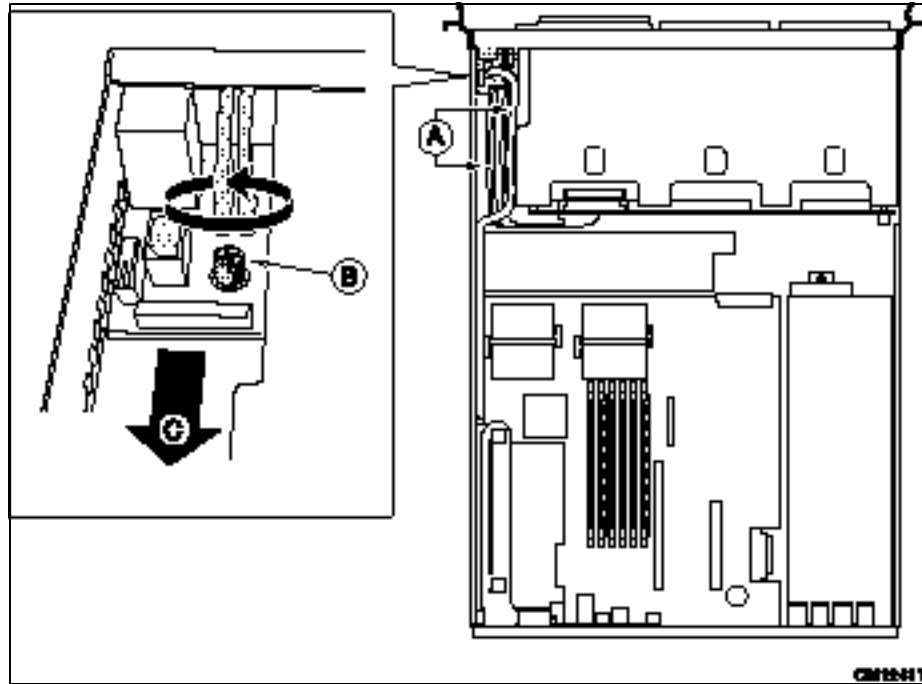


Figure 40. Removing the Front Panel Board

4. Remove the thumbscrew (B) from the board.
5. Remove the front panel board from the chassis (C).
6. Install the new board in the chassis being careful to insert the LED light pipes into the front panel holes.
7. Secure the board to the chassis with the thumbscrew.
8. Plug the USB and backplane cables back into the front panel board.
9. Replace the chassis cover.

Replacing a Server Board

1. Before removing the cover to work inside the system, observe the safety guidelines on page 47.
2. Disconnect all cables from the rear I/O of the chassis.
3. Remove the cover from the chassis.
4. Remove the PCI riser cards.
5. Remove the fan assembly.
6. Unplug all cables connected to the server board.
7. Remove any processors, terminators, and memory cards that you wish to use with the new board. (See the *Intel Server Board SCB2 Quick Start Guide* shipped with your server board.)
8. Remove the three mounting screws that secure the server board to the chassis (see Figure 38).

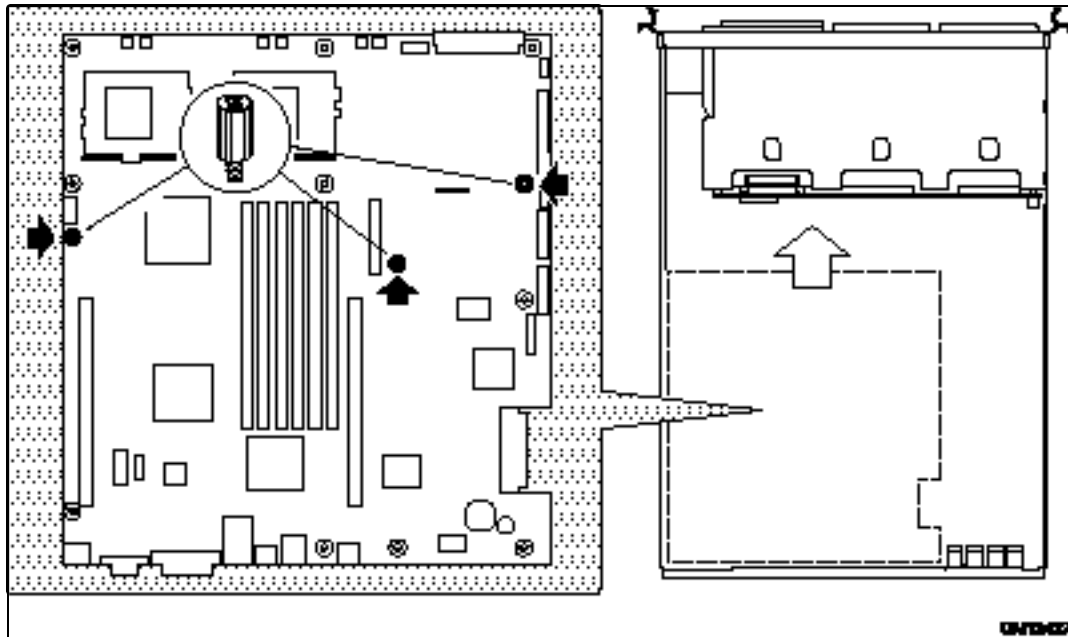


Figure 41. Removing the Server Board

9. Slide the board toward the front of the chassis until the I/O connectors are clear of the chassis I/O openings and lift it from the chassis.
10. Ensure that the edge of the insulator sheet is below the studs in the rear chassis wall and that the sheet is laying flat on the chassis floor.
11. Place the new server board on the chassis standoffs, being careful to position the board I/O connectors in the rear chassis I/O openings.
12. Adjust board position so that the two mounting holes near the board edges rest securely on the two corresponding shouldered standoffs.
13. Attach the board to the chassis using the three thumbscrews.
14. Install the processor(s), terminator, and memory cards that you wish to use with the new board.



CAUTION

Carefully route cables in their original paths to minimize airflow blockage and cooling problems.

15. Cable the new server board to the other system components.
16. Install the fan assembly.
17. Install the PCI riser cards.
18. Replace the chassis cover.
19. Connect any cables removed from the rear I/O of the chassis.

A Regulatory and Certification Information



WARNING

You must adhere to the assembly instructions in this guide to ensure and maintain compliance with existing product certifications and approvals. Use only the described, regulated components specified in this guide. Use of other products / components will void the UL Listing and other regulatory approvals of the product, and will most likely result in noncompliance with product regulations in the region(s) in which the product is sold.

Product Regulatory Compliance

The SR2200 chassis subassembly, when correctly integrated per this guide, complies with the following safety and electromagnetic compatibility (EMC) regulations.

Product Safety Compliance






- UL 1950 - CSA 950 (US/Canada)
- EN 60 950 (European Union)
- IEC60 950 (International)
- CE – Low Voltage Directive (73/23/EEC) (European Union)
- EMKO-TSE (74-SEC) 207/94 (Nordics)
- GOST R 50377-92 (Russia)
- IRAM Type Certification (Argentina)

Product EMC Compliance

- FCC /ICES-003, Class A Emissions (USA/Canada) Verification
- CISPR 22, 3rd Edition, Class A Emissions (International)
- EN55022, Class A Emissions (CENELEC Europe)
- EN55024: 1998, Immunity (CENELEC Europe)
- EN61000-3-2, Harmonics (CENELEC Europe)
- EN61000-3-3, Voltage Flicker (CENELEC Europe)
- CE – EMC Directive 89/336/EEC (CENELEC Europe)
- VCCI, Class A Emissions (Japan)
- AS/NZS 3548 Class A Emissions (Australia / New Zealand)
- BSMI CNS13438 Class A Emissions (Taiwan)
- GOST R 29216-91, Class A Emissions (Russia)
- GOST R 50628-95, Immunity (Russia)
- RRL, MIC Notice No. 1997-41 (EMC) & 1997-42 (EMI) (Korea)

Product Regulatory Compliance Markings

The SR2200 server chassis will be marked with the following regulatory markings.

cULus Listing Marks	
German GS Mark	
CE Mark	
FCC Marking (Class A)	<p>This device complies with Part 15 of the FCC Rules. Operation of this device is subject to the following two conditions: (1) This device may not cause harmful interference, and (2) This device must accept any interference received, including interference that may cause undesired operation. Manufactured by Intel Corporation</p>
Canada EMC Marking (Class A)	<p>CANADA ICES-003 CLASS A CANADA NMB-003 CLASSE A</p>
Japan VCCI Marking (Class A)	<p>この装置は、クラス A 情報技術装置です。この装置を家庭環境で使用すると電波妨害を引き起こすことがあります。この場合には使用者が適切な対策を講ずるよう要求されることがあります。VCCI-A</p>
Australia C-Tick Mark	
Taiwan BSMI Marking (Class A)	<p>標磁 39021909 警告使用者： 這是甲類的資訊產品，在居住的環境中使用時，可能會造成射頻干擾，在這種情況下，使用者會被要求採取某些適當的對策</p>
Russia GOST R Marking	

Electromagnetic Compatibility Notices

FCC Verification Statement (USA)

Product Type: SR2200

This device complies with Part 15 of the FCC Rules. Operation is subject to the following two conditions: (1) This device may not cause harmful interference, and (2) this device must accept any interference received, including interference that may cause undesired operation.

Intel Corporation
5200 N.E. Elam Young Parkway
Hillsboro, OR 97124-6497
Phone: 1-800-628-8686

This equipment has been tested and found to comply with the limits for a Class A digital device, pursuant to Part 15 of the FCC Rules. These limits are designed to provide reasonable protection against harmful interference in a residential installation. This equipment generates, uses, and can radiate radio frequency energy and, if not installed and used in accordance with the instructions, may cause harmful interference to radio communications. However, there is no guarantee that interference will not occur in a particular installation. If this equipment does cause harmful interference to radio or television reception, which can be determined by turning the equipment off and on, the user is encouraged to try to correct the interference by one or more of the following measures:

- Reorient or relocate the receiving antenna.
- Increase the separation between the equipment and the receiver.
- Connect the equipment into an outlet on a circuit different from that to which the receiver is connected.
- Consult the dealer or an experienced radio/TV technician for help.

Any changes or modifications not expressly approved by the grantee of this device could void the user's authority to operate the equipment. The customer is responsible for ensuring compliance of the modified product.

Only peripherals (computer input/output devices, terminals, printers, etc.) that comply with FCC Class A or B limits may be attached to this computer product. Operation with noncompliant peripherals is likely to result in interference to radio and TV reception.

All cables used to connect to peripherals must be shielded and grounded. Operation with cables, connected to peripherals that are not shielded and grounded may result in interference to radio and TV reception.

ICES-003 (Canada)

Cet appareil numérique respecte les limites bruits radioélectriques applicables aux appareils numériques de Classe A prescrites dans la norme sur le matériel brouilleur: “Appareils Numériques”, NMB-003 édictée par le Ministre Canadian des Communications.

(English translation of the notice above.) This digital apparatus does not exceed the Class A limits for radio noise emissions from digital apparatus set out in the interference-causing equipment standard entitled “Digital Apparatus,” ICES-003 of the Canadian Department of Communications.

Europe (CE Declaration of Conformity)

This product has been tested in accordance too, and complies with the Low Voltage Directive (73/23/EEC) and EMC Directive (89/336/EEC). The product has been marked with the CE Mark to illustrate its compliance.

VCCI (Japan)

この装置は、情報処理装置等電波障害自主規制協議会（VCCI）の基準に基づくクラスA情報技術装置です。この装置を家庭環境で使用すると電波妨害を引き起こすことがあります。この場合には使用者が適切な対策を講ずるよう要求されることがあります。

English translation of the notice above:

This is a Class A product based on the standard of the Voluntary Control Council for Interference (VCCI) from Information Technology Equipment. If this is used near a radio or television receiver in a domestic environment, it may cause radio interference. Install and use the equipment according to the instruction manual.

BSMI (Taiwan)

The BSMI ID certification number and EMC warning is located on the outside rear area of the product.

檢磁 39021911

警告使用者：

這是甲類的資訊產品，在居住的環境中使用時，可能會造成射頻干擾，在這種情況下，使用者會被要求採取某些適當的對策。

Regulated Specified Components

To maintain the UL listing and compliance to other regulatory certifications and/or declarations, the following regulated components must be used, and conditions adhered to. Interchanging or use of other component will void the UL Listing and other product certifications and approvals.

Updated product information for configurations can be found on Intel's Server Builder Web-site at: <http://channel.intel.com/go/serverbuilder>

If you do not have access to Intel's web address please contact your local Intel representative.

- **SR2200 chassis** (base chassis is provided with power supply and fans)—UL listed.
- **Server board**—you must use an Intel Server Board – UL Recognized.
- **Add-in boards**—must have a printed wiring board flammability rating of minimum UL94V-1. Add-in boards containing external power connectors and/or lithium batteries must be UL Recognized or UL Listed. Any add-in board containing modem telecommunication circuitry must be UL Listed. In addition the modem must have the appropriate telecommunications, safety and EMC approvals for the region in which it is sold.
- **Peripheral storage devices**—must be UL Recognized or UL listed accessory and TUV or VDE licensed. Maximum power rating of any one device is 19W. Total server configuration is not to exceed maximum loading conditions of power supply.
 - When using a UL Recognized Peripheral Storage Device, the plastic bezel must be made of a UL recognized plastic with flammability rating of UL94V-1.

B Equipment Log and Worksheets

Equipment Log

Use the blank equipment log provided here to record information about your system. You will need some of this information when you run the SSU.

Item	Manufacturer Name and Model Number	Serial Number	Date Installed
Chassis			
Server Board			
Processor Speed and Cache			
Video Display			
Video Controller			
Keyboard			
Mouse			
3.5-inch Drive			
CD-ROM Drive			
Hard Disk Drive 1			
Hard Disk Drive 2			
Hard Disk Drive 3			

continued

Current Usage

Calculating Power Usage

The total combined power consumption for your configuration **must be less than 350 watts**, with any combination of loads not to exceed maximum current on any one channel as defined in Table 1. The combined power consumption on 5V and 3.3V should not be more than 150W. Use the two worksheets in this section to calculate the total used by your configuration. For current and voltage requirements of add-in boards and peripherals, see your vendor documents.

Worksheet, Calculating DC Power Usage

1. List the current for each board and device in the appropriate voltage level column.
2. Add the current in each column, then go to the next worksheet.

Table 3. Power Usage Worksheet 1

Device	Current (maximum) at voltage level:				
	+5Vsb	+3.3 V	+5 V	+12 V	-12 V
Boards, processors, and memory (get totals from your board manual)					
SCSI backplane and front panel			0.40		
3.5-inch drive			0.30		
CD-ROM drive			0.60		
3.5-inch tape drive or other peripheral					
1 st hot swap hard drive					
2 nd hot swap hard drive					
3 rd hot swap hard drive					
4 th hot swap hard drive					
5 th hot swap hard drive					
6 th hot swap hard drive					
7 th hot swap hard drive					
Cooling fans (2 or 3) 80 mm, 1.2A each on 12V					
Total Current					
Maximum Ratings (for comparison)	2.0 A	20.0 A	20.0 A	25.0 A	0.5 A

Worksheet, Total Combined Power Used by the System

1. From the previous worksheet, enter the total current for each column.
2. Multiply the voltage by the total current to get the total wattage for each voltage level.
3. Add the total wattage for each voltage level to arrive at a total combined power usage on the power supply.

Table 4. Power Usage Worksheet 2

Voltage level and total current (V X A = W)	Total Watts for each voltage level
(+5 Vsb) X (_____ A)	_____ W
(+3.3 V) X (_____ A)	_____ W
(+5 V) X (_____ A)	_____ W
(+12 V) X (_____ A)	_____ W
(-12 V) X (_____ A)	_____ W
Total Combined Wattage	_____ W



CAUTION

Do not overload: As an overall current usage limitation on the power supply, do not exceed a combined power output of 250 watts for all DC outputs.

C Safety Warnings

WARNING: English (US)

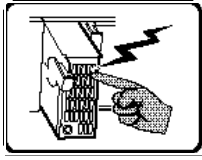
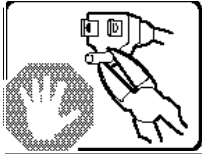
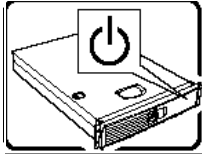

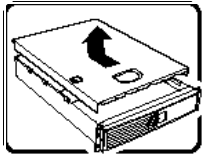
AVERTISSEMENT: Français

WARNUNG: Deutsch

AVVERTENZA: Italiano

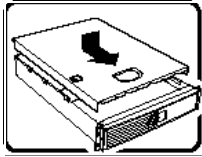
ADVERTENCIAS: Español

WARNING: English (US)

	<p>The power supply in this product contains no user-serviceable parts. There may be more than one supply in this product. Refer servicing only to qualified personnel.</p>
	<p>Do not attempt to modify or use the supplied AC power cord if it is not the exact type required. A product with more than one power supply will have a separate AC power cord for each supply.</p>
	<p>The power button on the system does not turn off system AC power. To remove AC power from the system, you must unplug each AC power cord from the wall outlet or power supply. The power cord(s) is considered the disconnect device to the mains (AC) power. The socket outlet that the system plugs into shall be installed near the equipment and shall be easily accessible.</p>
	<p>SAFETY STEPS: Whenever you remove the chassis covers to access the inside of the system, follow these steps:</p> <ol style="list-style-type: none">1. Turn off all peripheral devices connected to the system.2. Turn off the system by pressing the power button.3. Unplug all AC power cords from the system or from wall outlets.4. Label and disconnect all cables connected to I/O connectors or ports on the back of the system.5. Provide some electrostatic discharge (ESD) protection by wearing an antistatic wrist strap attached to chassis ground of the system—any unpainted metal surface—when handling components.6. Do not operate the system with the chassis covers removed.
	<p>After you have completed the six SAFETY steps above, you can remove the system covers. To do this:</p> <ol style="list-style-type: none">1. Unlock and remove the padlock from the back of the system if a padlock has been installed.2. Remove and save all screws from the covers.3. Remove the covers.

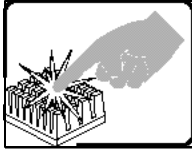
continued

WARNING: English (continued)

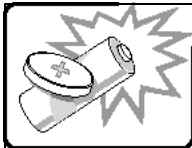


For proper cooling and airflow, always reinstall the chassis covers before turning on the system. Operating the system without the covers in place can damage system parts. To install the covers:

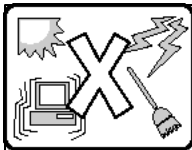
1. Check first to make sure you have not left loose tools or parts inside the system.
 2. Check that cables, add-in boards, and other components are properly installed.
 3. Attach the covers to the chassis with the screws removed earlier, and tighten them firmly.
 4. Insert and lock the padlock to the system to prevent unauthorized access inside the system.
 5. Connect all external cables and the AC power cord(s) to the system.
-



A microprocessor and heat sink may be hot if the system has been running. Also, there may be sharp pins and edges on some board and chassis parts. Contact should be made with care. Consider wearing protective gloves.



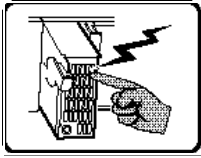
Danger of explosion if the battery is incorrectly replaced. Replace only with the same or equivalent type recommended by the equipment manufacturer. Dispose of used batteries according to manufacturer's instructions.



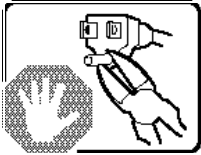
The system is designed to operate in a typical office environment. Choose a site that is:

- Clean and free of airborne particles (other than normal room dust).
 - Well-ventilated and away from sources of heat including direct sunlight.
 - Away from sources of vibration or physical shock.
 - Isolated from strong electromagnetic fields produced by electrical devices.
 - In regions that are susceptible to electrical storms, we recommend you plug your system into a surge suppresser and disconnect telecommunication lines to your modem during an electrical storm.
 - Provided with a properly grounded wall outlet.
 - Provided with sufficient space to access the power supply cord(s), because they serve as the product's main power disconnect.
-

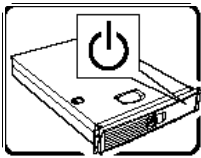
AVERTISSEMENT: Français



Le bloc d'alimentation de ce produit ne contient aucune pièce pouvant être réparée par l'utilisateur. Ce produit peut contenir plus d'un bloc d'alimentation. Veuillez contacter un technicien qualifié en cas de problème.



Ne pas essayer d'utiliser ni modifier le câble d'alimentation CA fourni, s'il ne correspond pas exactement au type requis. Le nombre de câbles d'alimentation CA fournis correspond au nombre de blocs d'alimentation du produit.

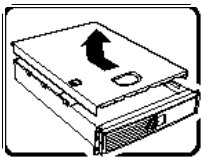


Notez que le commutateur CC de mise sous tension /hors tension du panneau avant n'éteint pas l'alimentation CA du système. Pour mettre le système hors tension, vous devez débrancher chaque câble d'alimentation de sa prise.



CONSIGNES DE SÉCURITÉ -Lorsque vous ouvrez le boîtier pour accéder à l'intérieur du système, suivez les consignes suivantes:

1. Mettez hors tension tous les périphériques connectés au système.
2. Mettez le système hors tension en mettant l'interrupteur général en position OFF (bouton-poussoir).
3. Débranchez tous les cordons d'alimentation c.a. du système et des prises murales.
4. Identifiez et débranchez tous les câbles reliés aux connecteurs d'E-S ou aux accès derrière le système.
5. Pour prévenir les décharges électrostatiques lorsque vous touchez aux composants, portez une bande antistatique pour poignet et reliez-la à la masse du système (toute surface métallique non peinte du boîtier).
6. Ne faites pas fonctionner le système tandis que le boîtier est ouvert.

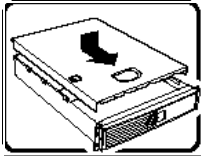


Une fois TOUTES les étapes précédentes accomplies, vous pouvez retirer les panneaux du système. Procédez comme suit:

1. Si un cadenas a été installé sur à l'arrière du système, déverrouillez-le et retirez-le.
 2. Retirez toutes les vis des panneaux et mettez-les dans un endroit sûr.
 3. Retirez les panneaux.
-

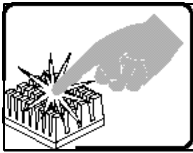
suite

AVERTISSEMENT: Français (suite)



Afin de permettre le refroidissement et l'aération du système, réinstallez toujours les panneaux du boîtier avant de mettre le système sous tension. Le fonctionnement du système en l'absence des panneaux risque d'endommager ses pièces. Pour installer les panneaux, procédez comme suit:

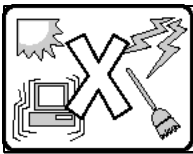
1. Assurez-vous de ne pas avoir oublié d'outils ou de pièces démontées dans le système.
 2. Assurez-vous que les câbles, les cartes d'extension et les autres composants sont bien installés.
 3. Revissez solidement les panneaux du boîtier avec les vis retirées plus tôt.
 4. Remettez le cadenas en place et verrouillez-le afin de prévenir tout accès non autorisé à l'intérieur du système.
 5. Rebranchez tous les cordons d'alimentation c. a. et câbles externes au système.
-



Le microprocesseur et le dissipateur de chaleur peuvent être chauds si le système a été sous tension. Faites également attention aux broches aiguës des cartes et aux bords tranchants du capot. Nous vous recommandons l'usage de gants de protection.



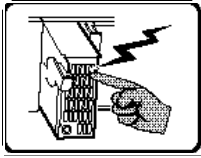
Danger d'explosion si la batterie n'est pas remontée correctement. Remplacer uniquement avec une batterie du même type ou d'un type équivalent recommandé par le fabricant. Disposez des piles usées selon les instructions du fabricant.



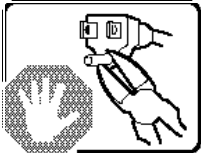
Le système a été conçu pour fonctionner dans un cadre de travail normal. L'emplacement choisi doit être:

- Propre et dépourvu de poussière en suspension (sauf la poussière normale).
 - Bien aéré et loin des sources de chaleur, y compris du soleil direct.
 - A l'abri des chocs et des sources de vibrations.
 - Isolé de forts champs électromagnétiques générés par des appareils électriques.
 - Dans les régions sujettes aux orages magnétiques il est recommandé de brancher votre système à un supresseur de surtension, et de débrancher toutes les lignes de télécommunications de votre modem durant un orage.
 - Muni d'une prise murale correctement mise à la terre.
 - Suffisamment spacieux pour vous permettre d'accéder aux câbles d'alimentation (ceux-ci étant le seul moyen de mettre le système hors tension).
-

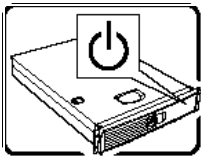
WARNUNG: Deutsch



Benutzer können am Netzgerät dieses Produkts keine Reparaturen vornehmen. Das Produkt enthält möglicherweise mehrere Netzgeräte. Wartungsarbeiten müssen von qualifizierten Technikern ausgeführt werden.



Versuchen Sie nicht, das mitgelieferte Netzkabel zu ändern oder zu verwenden, wenn es sich nicht genau um den erforderlichen Typ handelt. Ein Produkt mit mehreren Netzgeräten hat für jedes Netzgerät ein eigenes Netzkabel.

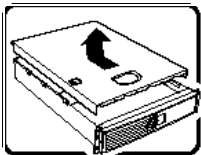


Der Wechselstrom des Systems wird durch den Ein-/Aus-Schalter für Gleichstrom nicht ausgeschaltet. Ziehen Sie jedes Wechselstrom-Netz-kabel aus der Steckdose bzw. dem Netzgerät, um den Stromanschluß des Systems zu unterbrechen.



SICHERHEISSMASSNAHMEN: Immer wenn Sie die Gehäuseabdeckung abnehmen um an das Systeminnere zu gelangen, sollten Sie folgende Schritte beachten:

1. Schalten Sie alle an Ihr System angeschlossenen Peripheriegeräte aus.
2. Schalten Sie das System mit dem Hauptschalter aus.
3. Ziehen Sie den Stromanschlußstecker Ihres Systems aus der Steckdose.
4. Auf der Rückseite des Systems beschrifteten und ziehen Sie alle Anschlußkabel von den I/O Anschlüssen oder Ports ab.
5. Tragen Sie ein geerdetes Antistatik Gelenkband, um elektrostatische Ladungen (ESD) über blanke Metallstellen bei der Handhabung der Komponenten zu vermeiden.
6. Schalten Sie das System niemals ohne ordnungsgemäß montiertes Gehäuse ein.

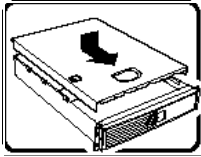


Nachdem Sie die oben erwähnten erstensechs SICHERHEITSSCHRITTE durchgeführt haben, können Sie die Abdeckung abnehmen, indem Sie:

1. Öffnen und entfernen Sie die Verschlusseinrichtung (Padlock) auf der Rückseite des Systems, falls eine Verschlusseinrichtung installiert ist.
 2. Entfernen Sie alle Schrauben der Gehäuseabdeckung.
 3. Nehmen Sie die Abdeckung ab.
-

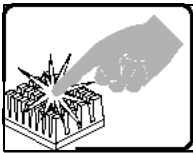
Fortsetzung

WARNUNG: Deutsch (Fortsetzung)



Zur ordnungsgemäßen Kühlung und Lüftung muß die Gehäuseabdeckung immer wieder vor dem Einschalten installiert werden. Ein Betrieb des Systems ohne angebrachte Abdeckung kann Ihrem System oder Teile darin beschädigen. Um die Abdeckung wieder anzubringen:

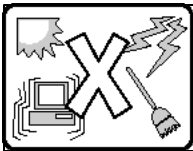
1. Vergewissern Sie sich, daß Sie keine Werkzeuge oder Teile im Innern des Systems zurückgelassen haben.
2. Überprüfen Sie alle Kabel, Zusatzkarten und andere Komponenten auf ordnungsgemäßen Sitz und Installation.
3. Bringen Sie die Abdeckungen wieder am Gehäuse an, indem Sie die zuvor gelösten Schrauben wieder anbringen. Ziehen Sie diese gut an.
4. Bringen Sie die Verschlusseinrichtung (Padlock) wieder an und schließen Sie diese, um ein unerlaubtes Öffnen des Systems zu verhindern.
5. Schließen Sie alle externen Kabel und den AC Stromanschlußstecker Ihres Systems wieder an.



Der Mikroprozessor und der Kühler sind möglicherweise erhitzt, wenn das System in Betrieb ist. Außerdem können einige Platinen und Gehäuseteile scharfe Spitzen und Kanten aufweisen. Arbeiten an Platinen und Gehäuse sollten vorsichtig ausgeführt werden. Sie sollten Schutzhandschuhe tragen.



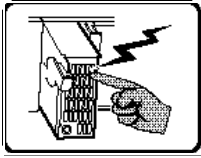
Bei falschem Einsetzen einer neuen Batterie besteht Explosionsgefahr. Die Batterie darf nur durch denselben oder einen entsprechenden, vom Hersteller empfohlenen Batterietyp ersetzt werden. Entsorgen Sie verbrauchte Batterien den Anweisungen des Herstellers entsprechend.



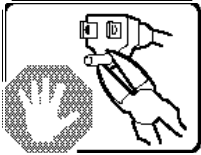
Das System wurde für den Betrieb in einer normalen Büroumgebung entwickelt. Der Standort sollte:

- sauber und staubfrei sein (Hausstaub ausgenommen);
 - gut gelüftet und keinen Heizquellen ausgesetzt sein (einschließlich direkter Sonneneinstrahlung);
 - keinen Erschütterungen ausgesetzt sein;
 - keine starken, von elektrischen Geräten erzeugten elektromagnetischen Felder aufweisen;
 - in Regionen, in denen elektrische Stürme auftreten, mit einem Überspannungsschutzgerät verbunden sein; während eines elektrischen Sturms sollte keine Verbindung der Telekommunikationsleitungen mit dem Modem bestehen;
 - mit einer geerdeten Wechselstromsteckdose ausgerüstet sein;
 - über ausreichend Platz verfügen, um Zugang zu den Netzkabeln zu gewährleisten, da der Stromanschluß des Produkts hauptsächlich über die Kabel unterbrochen wird.
-

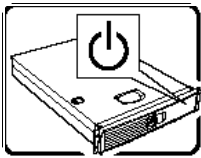
AVVERTENZA: Italiano



Rivolgersi ad un tecnico specializzato per la riparazione dei componenti dell'alimentazione di questo prodotto. È possibile che il prodotto disponga di più fonti di alimentazione.



Non modificare o utilizzare il cavo di alimentazione in c.a. fornito dal produttore, se non corrisponde esattamente al tipo richiesto. Ad ogni fonte di alimentazione corrisponde un cavo di alimentazione in c.a. separato.

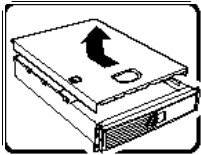


L'interruttore attivato/disattivato nel pannello anteriore non interrompe l'alimentazione in c.a. del sistema. Per interromperla, è necessario scollegare tutti i cavi di alimentazione in c.a. dalle prese a muro o dall'alimentazione di corrente.



PASSI DI SICUREZZA: Qualora si rimuovano le coperture del telaio per accedere all'interno del sistema, seguire i seguenti passi:

1. Spegner tutti i dispositivi periferici collegati al sistema.
2. Spegner il sistema, usando il pulsante spento/acceso dell'interruttore del sistema.
3. Togliere tutte le spine dei cavi del sistema dalle prese elettriche.
4. Identificare e sconnettere tutti i cavi attaccati ai collegamenti I/O od alle prese installate sul retro del sistema.
5. Qualora si tocchino i componenti, proteggersi dallo scarico elettrostatico (SES), portando un cinghia anti-statica da polso che è attaccata alla presa a terra del telaio del sistema – qualsiasi superficie non dipinta – .
6. Non far operare il sistema quando il telaio è senza le coperture.

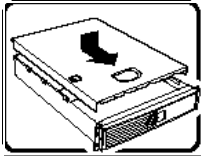


Dopo aver seguito i sei passi di SICUREZZA sopracitati, togliere le coperture del telaio del sistema come segue:

1. Aprire e rimuovere il lucchetto dal retro del sistema qualora ve ne fosse uno installato.
2. Togliere e mettere in un posto sicuro tutte le viti delle coperture.
3. Togliere le coperture.

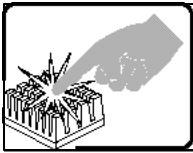
continua

AVVERTENZA: Italiano (continua)



Per il giusto flusso dell'aria e raffreddamento del sistema, rimettere sempre le coperture del telaio prima di riaccendere il sistema. Operare il sistema senza le coperture al loro proprio posto potrebbe danneggiare i componenti del sistema. Per rimettere le coperture del telaio:

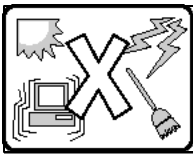
1. Controllare prima che non si siano lasciati degli attrezzi o dei componenti dentro il sistema.
 2. Controllare che i cavi, dei supporti aggiuntivi ed altri componenti siano stati installati appropriatamente.
 3. Attaccare le coperture al telaio con le viti tolte in precedenza e avvitarle strettamente.
 4. Inserire e chiudere a chiave il lucchetto sul retro del sistema per impedire l'accesso non autorizzato al sistema.
 5. Ricollegare tutti i cavi esterni e le prolunghe AC del sistema.
-



Se il sistema è stato a lungo in funzione, il microprocessore e il dissipatore di calore potrebbero essere surriscaldati. Fare attenzione alla presenza di piedini appuntiti e parti taglienti sulle schede e sul telaio. È consigliabile l'uso di guanti di protezione.



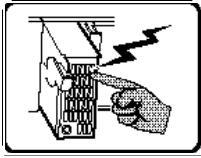
Esiste il pericolo di un'esplosione se la pila non viene sostituita in modo corretto. Utilizzare solo pile uguali o di tipo equivalente a quelle consigliate dal produttore. Per disfarsi delle pile usate, seguire le istruzioni del produttore.



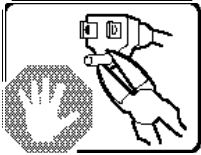
Il sistema è progettato per funzionare in un ambiente di lavoro tipo. Scegliere una postazione che sia:

- Pulita e libera da particelle in sospensione (a parte la normale polvere presente nell'ambiente).
 - Ben ventilata e lontana da fonti di calore, compresa la luce solare diretta.
 - Al riparo da urti e lontana da fonti di vibrazione.
 - Isolata dai forti campi magnetici prodotti da dispositivi elettrici.
 - In aree soggette a temporali, è consigliabile collegare il sistema ad un limitatore di corrente. In caso di temporali, scollegare le linee di comunicazione dal modem.
 - Dotata di una presa a muro correttamente installata.
 - Dotata di spazio sufficiente ad accedere ai cavi di alimentazione, i quali rappresentano il mezzo principale di scollegamento del sistema.
-

ADVERTENCIAS: Español

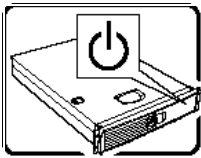


El usuario debe abstenerse de manipular los componentes de la fuente de alimentación de este producto, cuya reparación debe dejarse exclusivamente en manos de personal técnico especializado. Puede que este producto disponga de más de una fuente de alimentación.



No intente modificar ni usar el cable de alimentación de corriente alterna, si no corresponde exactamente con el tipo requerido.

El número de cables suministrados se corresponden con el número de fuentes de alimentación de corriente alterna que tenga el producto.

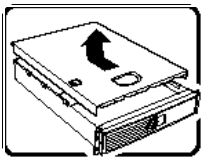


Nótese que el interruptor activado/desactivado en el panel frontal no desconecta la corriente alterna del sistema. Para desconectarla, deberá desenchufar todos los cables de corriente alterna de la pared o desconectar la fuente de alimentación.



INSTRUCCIONES DE SEGURIDAD: Cuando extraiga la tapa del chasis para acceder al interior del sistema, siga las siguientes instrucciones:

1. Apague todos los dispositivos periféricos conectados al sistema.
2. Apague el sistema presionando el interruptor encendido/apagado.
3. Desconecte todos los cables de alimentación CA del sistema o de las tomas de corriente alterna.
4. Identifique y desconecte todos los cables enchufados a los conectores E/S o a los puertos situados en la parte posterior del sistema.
5. Cuando manipule los componentes, es importante protegerse contra la descarga electrostática (ESD). Puede hacerlo si utiliza una muñequera antiestática sujeta a la toma de tierra del chasis — o a cualquier tipo de superficie de metal sin pintar.
6. No ponga en marcha el sistema si se han extraído las tapas del chasis.

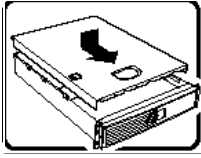


Después de completar las seis instrucciones de SEGURIDAD mencionadas, ya puede extraer las tapas del sistema. Para ello:

1. Desbloquee y extraiga el bloqueo de seguridad de la parte posterior del sistema, si se ha instalado uno.
2. Extraiga y guarde todos los tornillos de las tapas.
3. Extraiga las tapas.

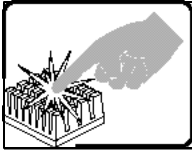
continúa

ADVERTENCIAS: Español (continúa)

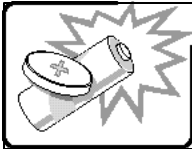


Para obtener un enfriamiento y un flujo de aire adecuados, reinstale siempre las tapas del chasis antes de poner en marcha el sistema. Si pone en funcionamiento el sistema sin las tapas bien colocadas puede dañar los componentes del sistema. Para instalar las tapas:

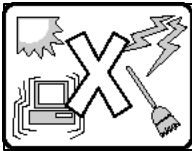
1. Asegúrese primero de no haber dejado herramientas o componentes sueltos dentro del sistema.
 2. Compruebe que los cables, las placas adicionales y otros componentes se hayan instalado correctamente.
 3. Incorpore las tapas al chasis mediante los tornillos extraídos anteriormente, tensándolos firmemente.
 4. Inserte el bloqueo de seguridad en el sistema y bloquéelo para impedir que pueda accederse al mismo sin autorización.
 5. Conecte todos los cables externos y los cables de alimentación CA al sistema.
-



Si el sistema ha estado en funcionamiento, el microprocesador y el disipador de calor pueden estar aún calientes. También conviene tener en cuenta que en el chasis o en el tablero puede haber piezas cortantes o punzantes. Por ello, se recomienda precaución y el uso de guantes protectores.



Existe peligro de explosión si la pila no se cambia de forma adecuada. Utilice solamente pilas iguales o del mismo tipo que las recomendadas por el fabricante del equipo. Para deshacerse de las pilas usadas, siga igualmente las instrucciones del fabricante.



El sistema está diseñado para funcionar en un entorno de trabajo normal. escoja un lugar:

- Limpio y libre de partículas en suspensión (salvo el polvo normal).
 - Bien ventilado y alejado de fuentes de calor, incluida la luz solar directa.
 - Alejado de fuentes de vibración.
 - Aislado de campos electromagnéticos fuertes producidos por dispositivos eléctricos.
 - En regiones con frecuentes tormentas eléctricas, se recomienda conectar su sistema a un eliminador de sobrevoltage y desconectar el módem de las líneas de telecomunicación durante las tormentas.
 - Provisto de una toma de tierra correctamente instalada.
 - Provisto de espacio suficiente como para acceder a los cables de alimentación, ya que éstos hacen de medio principal de desconexión del sistema.
-

D Warranty

Limited Warranty for Intel® Chassis Subassembly Products

Intel warrants that the Products (defined herein as the Intel® chassis subassembly and all of its various components and software delivered with or as part of the Products) to be delivered hereunder, if properly used and installed, will be free from defects in material and workmanship and will substantially conform to Intel's publicly available specifications for a period of three (3) years after the date the Product was purchased from an Intel authorized distributor. Software of any kind delivered with or as part of products is expressly provided "as is" unless specifically provided for otherwise in any software license accompanying the software.

If any Product furnished by Intel which is the subject of this Limited Warranty fails during the warranty period for reasons covered by this Limited Warranty, Intel, at its option, will:

- **REPAIR** the Product by means of hardware and/or software; OR
- **REPLACE** the Product with another Product; OR
- **REFUND** the then-current value of the Product if Intel is unable to repair or replace the Product.

If such Product is defective, transportation charges for the return of Product to buyer within the USA will be paid by Intel. For all other locations, the warranty excludes all costs of shipping, customs clearance, and other related charges. Intel will have a reasonable time to make repairs or to replace Product or to refund the then-current value of the Product.

In no event will Intel be liable for any other costs associated with the replacement or repair of Product, including labor, installation or other costs incurred by buyer and in particular, any costs relating to the removal or replacement of any product soldered or otherwise permanently affixed to any printed circuit board.

This Limited Warranty, and any implied warranties that may exist under state law, apply only to the original purchaser of the Product.

Extent of Limited Warranty

Intel does not warrant that Products to be delivered hereunder, whether delivered stand-alone or integrated with other Products, including without limitation semiconductor components, will be free from design defects or errors known as "errata". Current characterized errata are available upon request.

This Limited Warranty does not cover damages due to external causes, including accident, problems with electrical power, usage not in accordance with product instructions, misuse, neglect, alteration, repair, improper installation, or improper testing.

Warranty Limitations and Exclusions

These warranties replace all other warranties, expressed or implied including, but not limited to, the implied warranties of merchantability and fitness for a particular purpose. Intel makes no expressed warranties beyond those stated here. Intel disclaims all other warranties, expressed or implied including, without limitation, implied warranties of merchantability and fitness for a particular purpose. Some jurisdictions do not allow the exclusion of implied warranties, so this limitation may not apply.

All expressed and implied warranties are limited in duration to the limited warranty period. No warranties apply after that period. Some jurisdictions do not allow limitations on how long an implied warranty lasts, so this limitation may not apply to you.

Limitations of Liability

Intel's responsibility under this, or any other warranty, implied or expressed, is limited to repair, replacement or refund, as set forth above. These remedies are the sole and exclusive remedies for any breach of warranty. Intel is not responsible for direct, special, incidental, or consequential damages resulting from any breach of warranty under another legal theory including, but not limited to, lost profits, downtime, goodwill, damage to or replacement of equipment and property, and any costs of recovering, reprogramming, or reproducing any program or data stored in or used with a system containing this product. Some jurisdictions do not allow the exclusion or limitation of incidental or consequential damages, so the above limitations or exclusions may not apply to you.

This limited warranty gives you specific legal rights, and you may also have other rights that vary from jurisdiction to jurisdiction.

Any and all disputes arising under or related to this Limited Warranty shall be adjudicated in the following forums and governed by the following laws: for the United States of America, Canada, North America and South America, the forum shall be Santa Clara, California, USA and the applicable law shall be that of the State of California, USA; for the Asia Pacific region, the forum shall be Singapore and the applicable law shall be that of Singapore; for Europe and the rest of the world, the forum shall be London and the applicable law shall be that of the United Kingdom.

In the event of any conflict between the English language version and any other translated version(s) of this Limited Warranty, the English language version shall control.

How to Obtain Warranty Service

To obtain warranty service for this Product, you may contact Intel or your authorized distributor.

North America & Latin America—To obtain warranty repair for the product, please go to this website to obtain instructions:

<http://support.intel.com/support/motherboards/draform.htm>

In Europe and in Asia—Contact your original authorized distributor for warranty service.

Any replacement Product is warranted under this written warranty and is subject to the same limitations and exclusions for the remainder of the original warranty period.

Telephone Support

If you can't find the information you need on Intel's World Wide Web site (<http://www.intel.com>), call your local distributor or an Intel Customer Support representative.

Country	Customer Support Telephone Number	Hours (Monday-Friday)	Billing
United States & Canada	1-800-404-2284	7:00 - 17:00 PST	Credit card calls \$25.00/incident
UK	0870 6072439	UK time	Credit Card Calls \$25.00/incident Levied in local currency at the applicable credit card exchange rate plus applicable VAT
France	01 41 918529	8:00 - 17:00 (M, Th, F)	
Germany	069 9509 6099	8:00 - 16:00 (Tu - W)	
Italy	02 696 33276		
Spain	91 377 8166		
Finland	9 693 79297		
Denmark	38 487077		
Norway	23 1620 50		
Sweden	08 445 1251		
Holland	020 487 4562		
Asia-Pacific		Singapore local time	
Australia	+1-800-649-931	Oct-April: 6:00 - 16:00	
Hong Kong	+852-2-844-4456	April-Oct: 5:00 - 16:00	
Korea	+822-767-2595		
Philippines	1800-1-651-0117		
PRC	(800)8201100		
Singapore	(65)2131311		
Taiwan	2 27189915		
Malaysia	1800-801390		
New Zealand	0800-444365		
Indonesia	803-65-7249		
Thailand	800-6310003		
Vietnam	IDD call +63(2)6368416 (0006517) 830-3634		
India	Manual toll free. From India, you need an IDD-equipped phone.		
Pakistan	IDD call +63(2)6368415		

Returning a Defective Product

Before returning any product, call your authorized dealer/distribution authority.