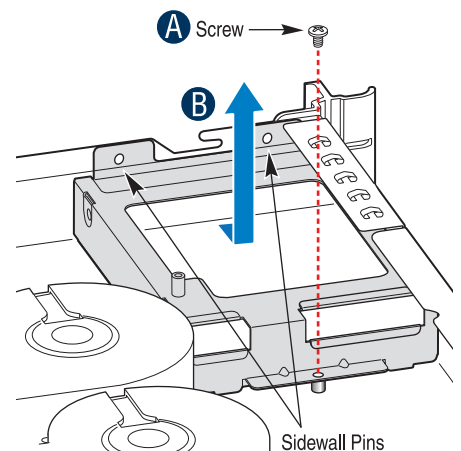
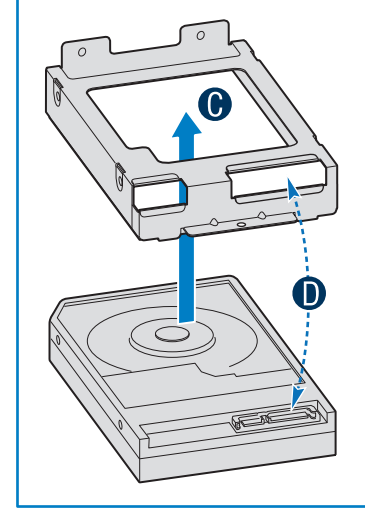


8 Install Hard Drives/Carriers

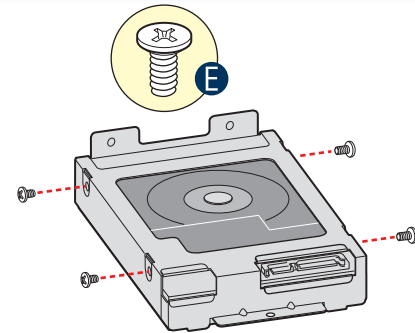
- A Remove the screw securing the drive carrier to the chassis.
- B Slide the carrier away from the two chassis sidewall pins and remove.



Note: Hard drive 1 location is shown above.



- C Insert hard drive into the carrier with the bottom-side of the drive facing up.
- D Make sure connector-end of drive goes into the carrier as shown.

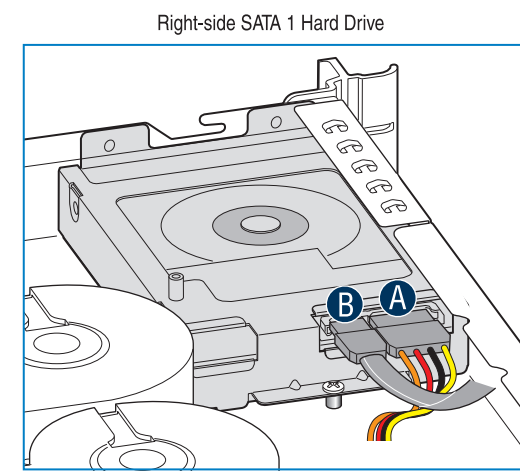
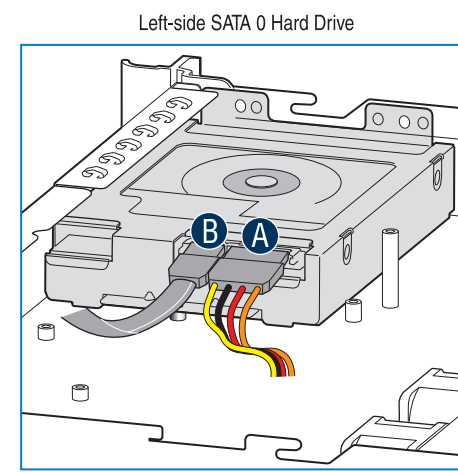
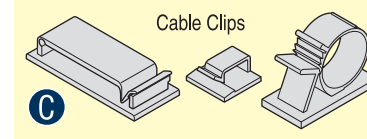


- E Attach the hard drive to the carrier with four screws as shown.
- F Re-install the hard drive/carrier assembly into the chassis.

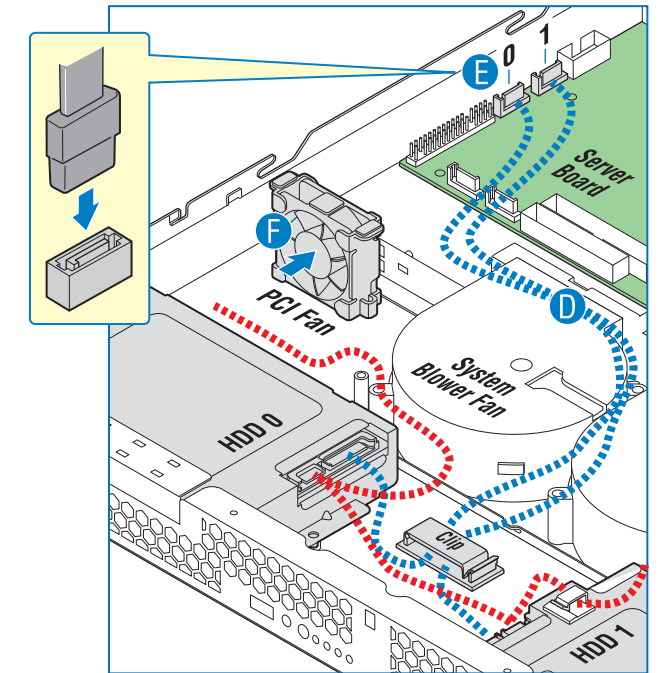
IMPORTANT NOTE!
For the hard drive 0 location, go to the accessory box for the HDD 0 drive carrier and install using the same procedures outlined above. *Make sure you have completed Step #6 on the front side of this document.*

9 Cabling Hard Drives

- A Attach a SATA power cable to each hard drive as shown.
- B Attach a SATA data cable to each hard drive as shown.
- C Use the cable clips provided with your chassis to maintain proper air flow.

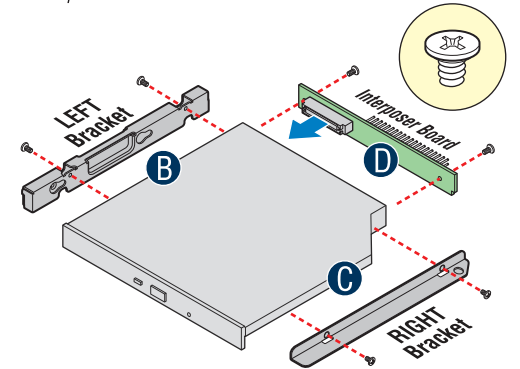
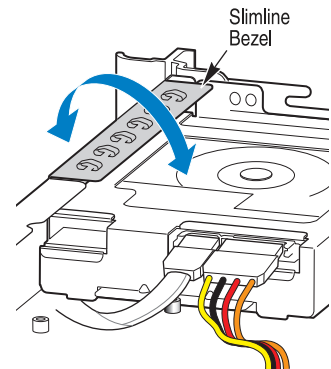


- D Note that SATA cables are factory-routed underneath the system blower fans.
 - E Attach each SATA data cable to its matching server board SATA connector as shown.
- CAUTION!** It is critical that you connect the SATA data cables correctly from the hard drives to your server board.
Example: HDD0 to server board SATA0.
Failure to do so may result in data loss.
- F Make sure cables do not restrict air flow through the PCI cooling fan.

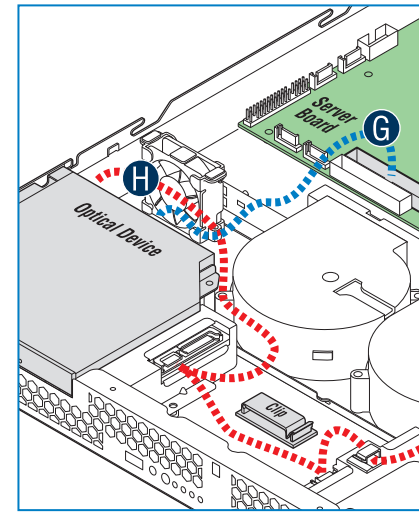
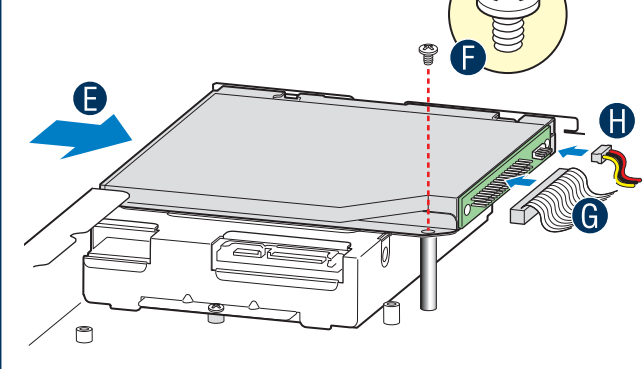


10 Install and Cable Optical Device (optional)

- A Before installing the optical device, you must remove the slimline bezel. Remove by rocking back and forth to break the attach points. *Once removed, this bezel cannot be used again.*
- B Attach the LEFT bracket to the optical device as shown.
- C Attach the RIGHT bracket to the optical device.
- D Attach the interposer board to the back of the optical device using two screws as shown. *Note that the interposer board has a connector that plugs into the optical device.*



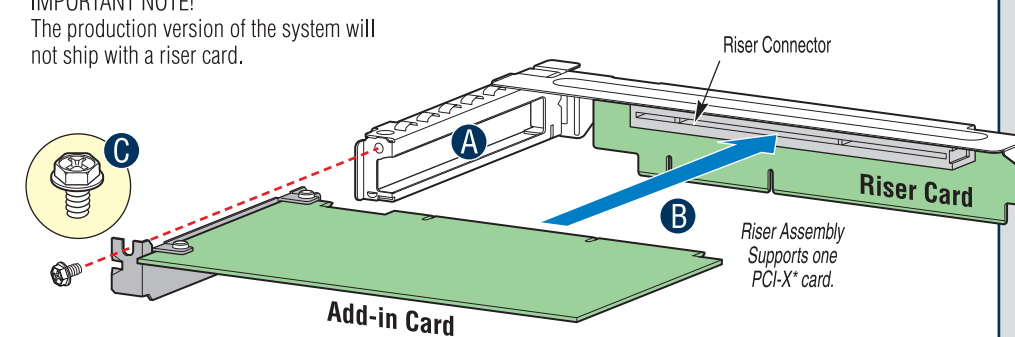
- E Insert optical device assembly into front panel opening.
- F Attach optical device tray to chassis standoff as shown.
- G Connect data ribbon cable to optical device and server board IDE connector as shown.
- H Connect power cable.



11 Install PCI Add-in Card(s)

- A Remove filler panel from the selected add-in card slot.
- B Insert add-in card until it seats in the riser connector.
- C Secure add-in card with screw as shown.

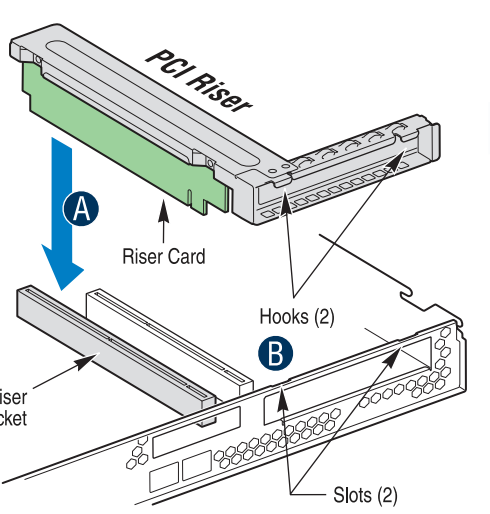
IMPORTANT NOTE!
The production version of the system will not ship with a riser card.



CAUTION! Observe normal ESD precautions when installing add-in cards.

12 Install PCI Add-in Card Riser Assembly

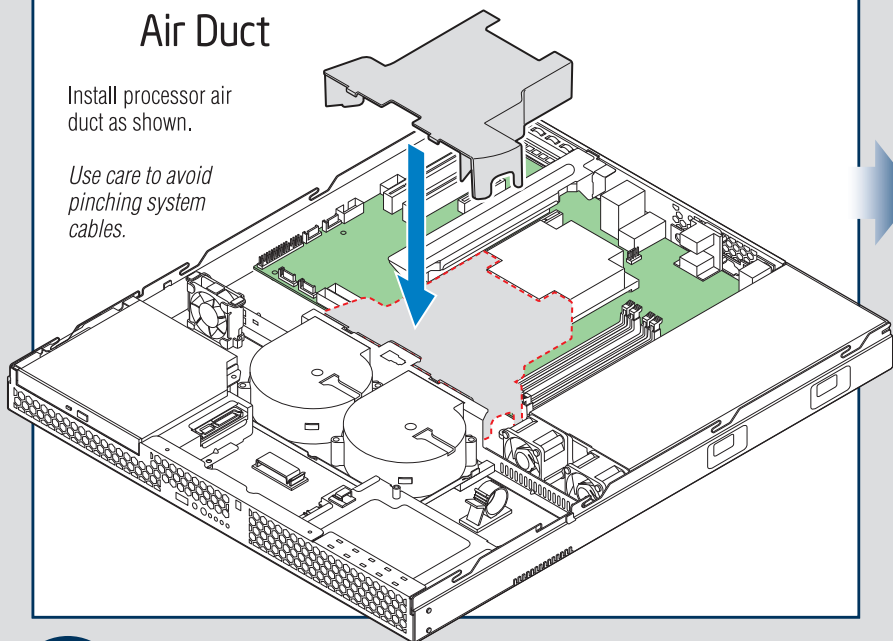
- A Align the riser card with the server board riser socket.
- B Before pressing into place, make sure the three hooks engage the three slots on the back panel top edge.



13 Install Processor Air Duct

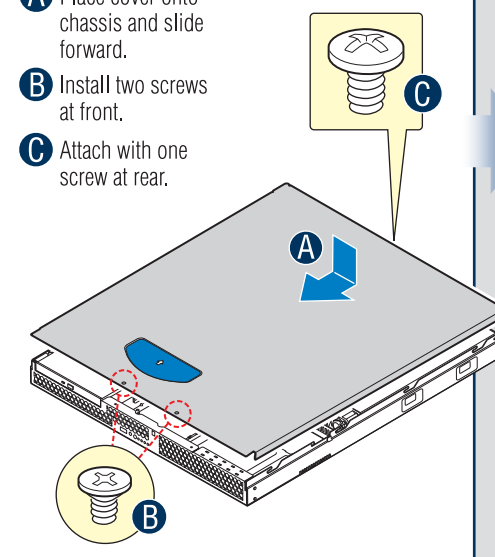
Install processor air duct as shown.

Use care to avoid pinching system cables.

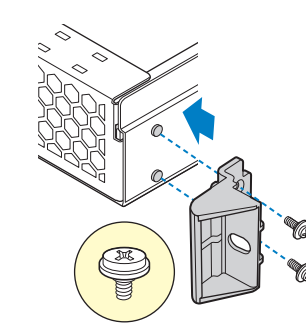


14 Install the Top Cover

- A Place cover onto chassis and slide forward.
- B Install two screws at front.
- C Attach with one screw at rear.



15 Install Rack Handles



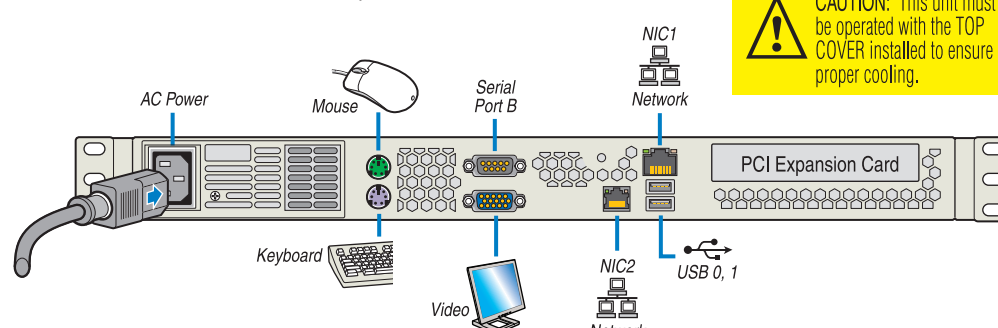
Install Rail Kit (optional)

See the documentation that came with your selected rail kit for installation instructions.

16 Finishing Up

Before installing your operating system, you must finish your system installation and connect back panel I/O connectors and AC power.

- Make sure you have replaced the system cover.
- Connect your keyboard, mouse, video and other I/O cables/devices as shown. *Then connect the AC power cord.*



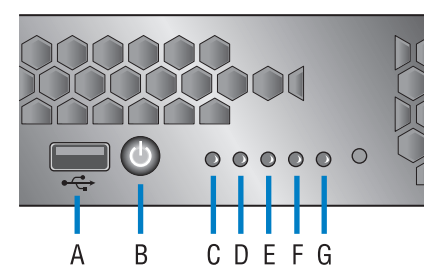
CAUTION! This unit must be operated with the TOP COVER installed to ensure proper cooling.

17 Install Software • BIOS, Drivers, and Operating System Install

- A. **Confirm BIOS Version:** Look on the Server/System Management screen in the BIOS Setup Utility to determine the installed BIOS version. Compare this to the versions at: <http://support.intel.com/support/motherboards/server/s3000ah>. If new versions are available, update the BIOS on your server. See the User Guide on the Intel® Server Deployment Toolkit CD for update instructions.
- B. **Configure your RAID Controller:** Use the instructions provided with the RAID controller.
- C. **Install your Operating System:** Use the instructions provided with the RAID controller and with the operating system.
- D. **Install Operating System Drivers:** With the operating system running, insert the Intel® Server Deployment Toolkit CD. If using a Microsoft® Windows® operating system, the Express Installer will autorun and allow you to select the appropriate drivers to install. On other operating systems, browse the CD folders to locate and install the driver files.
- E. **Install Intel® SMarT Tool (optional):** With the operating system running, insert the Intel® Server Deployment Toolkit CD. The Express Installer will autorun. Click Intel® SMarT Tool at the left side of the screen. Follow the on-screen instructions. For information about Intel® SMarT Tool, see <http://developer.intel.com/design/servers/smarttool/index.htm>.

Reference

Front Panel Controls and Indicators (shown with bezel removed)



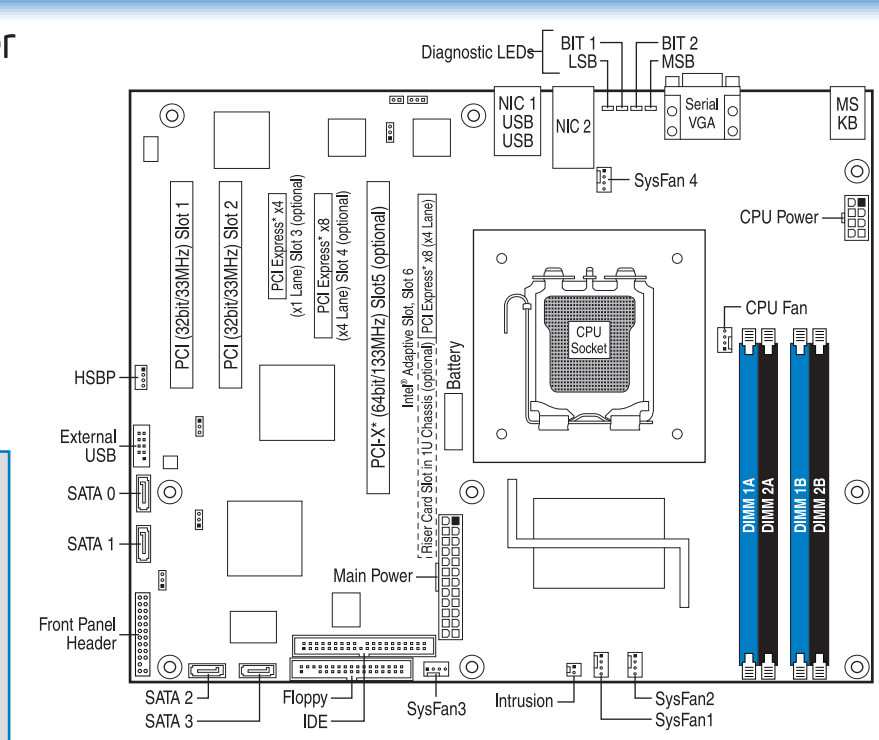
- A USB 2.0 Port
- B Power Button
- C Status LED
- D Power
- E HDD Activity
- F NIC1
- G NIC2

Optional Accessories and Order Codes	
350 Watt Power Supply	FHJ350WPSHJUP
System Blower and PCI Cooling Fan Kit	FHJBLOWERFAN
Fixed Chassis Product Maintenance Kit	FHJFXPMKIT
PCI-X* (ML/LP)/PCIe* (SL/LP) Riser Card	AHJPCIRISERTU
Slimline CD-ROM Drive	AXXSCD
Toolless Rail Kit	AXXHERAIL
Cable Management Arm	AXXRACKARM

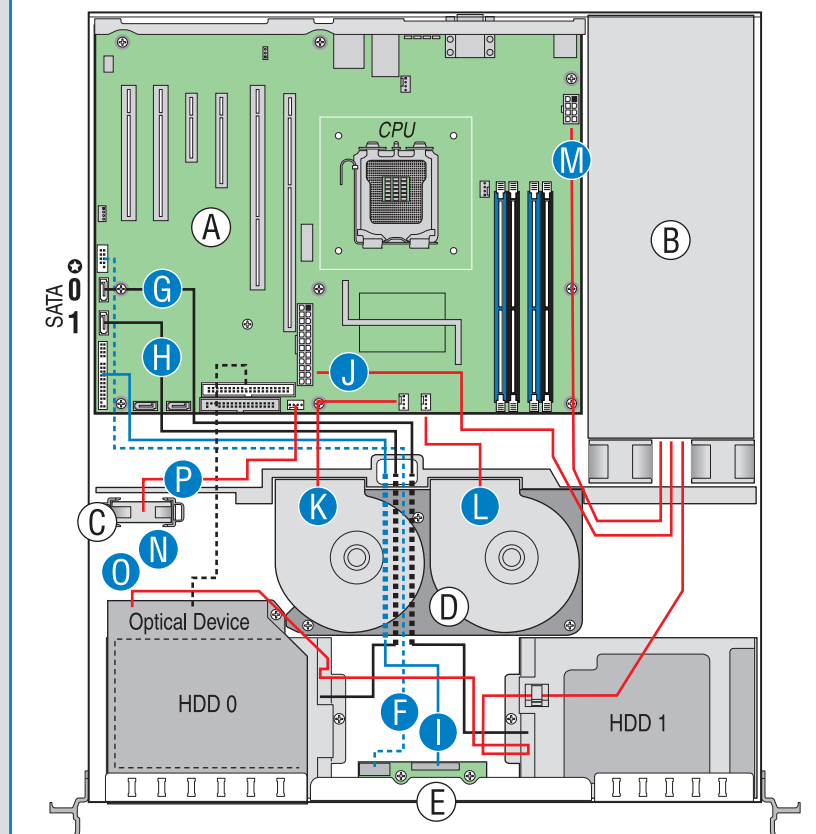
A complete list of accessories and spares can be found at: www.intel.com/go/serverbuilder

Intel® Server Board S3000AH Component Layout

See your Intel® Server Board S3000AH User's Guide for expanded component and connection information.



Platform Cabling Diagram



- A Server Board
 - B Power Supply
 - C PCI Cooling Fan
 - D System Blower Fans
 - E Front Panel Board
 - F Front Panel USB
 - G HDD 0 to Server Board SATA 0
 - H HDD 1 to Server Board SATA 1
 - I Front Panel
 - J Power to Server Board (Main)
 - K System Fan Blower Power ... left fan
 - L System Fan Blower Power ... right fan
 - M Power to Server Board (CPU)
 - N Optical Device Data Cable
 - O Optical Device Power
 - P PCI Cooling Fan Power
- Server Board SATA Connector Legend
 0
 1
 Begin cable connections at the SATA-0 location.

