

# Intel® Server System SR2520SAFR Quick Start User's Guide

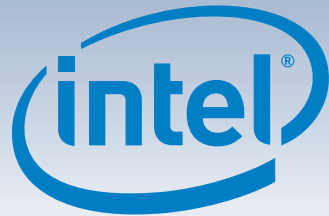


Thank you for buying an Intel® Server System. The following information will help you assemble your Intel® Server System SR2520SAFR and install components.

This guide and other supporting documents are located on the web at <http://support.intel.com/support/motherboards/server/s5000vsa>.

If you are not familiar with ESD (Electrostatic Discharge) procedures used during system integration, please see the Intel® Server System SR2520SAFR User's Guide, available on the Intel® Server Deployment Toolkit 2.0 CD or at <http://support.intel.com/support/motherboards/server/s5000vsa/howto.htm>.

Read all cautions and warnings first before starting your server system integration.



## Minimum Hardware Requirements

To avoid integration difficulties and possible damage to your system, make sure you have components from each category below.

- **Processor:**
  - Minimum of one Dual-Core Intel® Xeon® processor 5000 sequence with 2 MB cache support.
- **Heat Sink:**
  - 2U passive heat sink for each processor installed.
- **Memory:**
  - Minimum of one 512MB, FBDIMM 533/667 MHz compliant 240-pin DIMM.
- **Hard Disk Drives:**
  - SATA

## 1 Preparing the Chassis

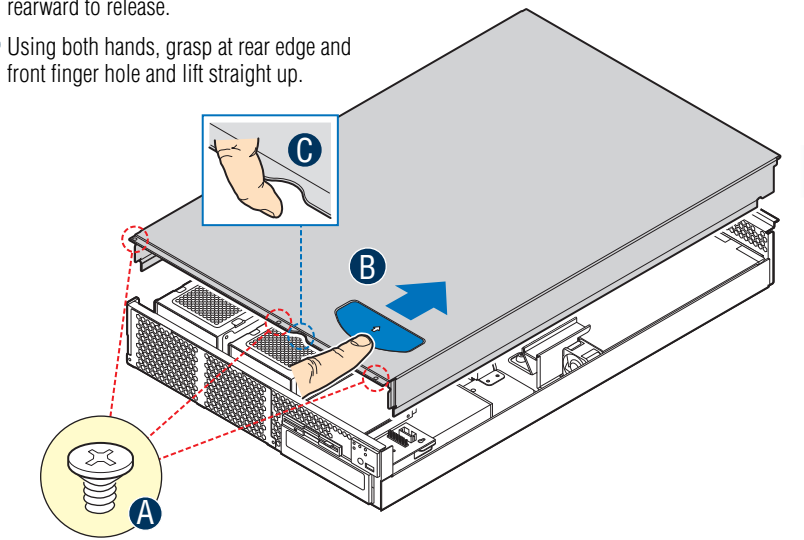
Observe normal ESD (Electrostatic Discharge) procedures.



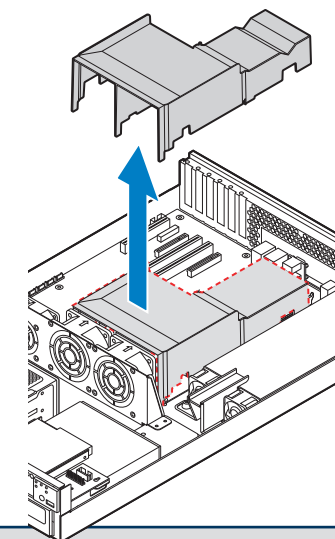
Place your Intel® Server Chassis on a flat anti-static surface to perform the following integration procedures. Always touch the chassis frame first, before reaching inside to make server board connections or to install components.

## 2 Remove Top Cover

- Remove the three screws at the front.
- Using the blue rubber contact, push the top cover rearward to release.
- Using both hands, grasp at rear edge and front finger hole and lift straight up.



## 3 Remove Processor Air Duct



## IMPORTANT!

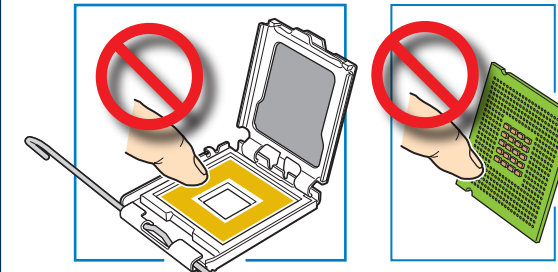
Before proceeding further, do the following:

Check your Intel® Server System for disconnected or loose cables and components that may have occurred during shipping.

## 4 Install the Processor(s)

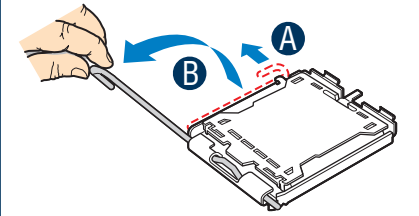
### Notes and Cautions:

- When opening a socket, DO NOT TOUCH the gold socket wires.
- When unpacking a processor, hold by the edges only to avoid touching the gold contacts.
- If only ONE processor is to be used, it must be installed in the processor socket labeled CPU1, located closest to the edge of the server board.



### A. Open the Socket Lever

- Push the lever handle down and away from the socket to release it.
- Pull the lever and open all the way.



## Warning

Read all caution and safety statements in this document before performing any of the instructions. Also see the Intel® Server Board and Server Chassis Safety Information document at: <http://support.intel.com/support/motherboards/server/sb/cs-010770.htm> for complete safety information.

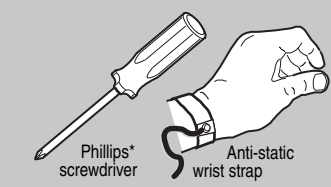
## Warning

Installation and service of this product should only be performed by qualified service personnel to avoid risk of injury from electrical shock or energy hazard.

## Caution

Observe normal ESD (Electrostatic Discharge) procedures during system integration to avoid possible damage to server board and/or other components.

## Tools Required



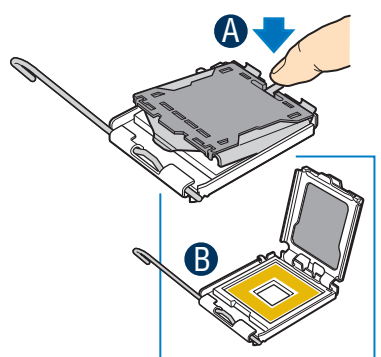
Intel is a registered trademark of Intel Corporation or its subsidiaries in the United States and other countries. \*Other names and brands may be claimed as the property of others. Copyright © 2007, Intel Corporation. All rights reserved.

D69838-004



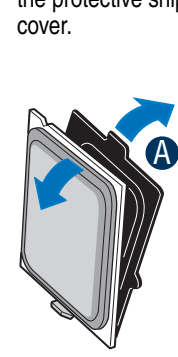
### B. Open the Load Plate

- Push the rear tab with your finger tip to bring the front end of the load plate up slightly.
- Open the load plate as shown.



### C. Remove the Processor Protective Cover

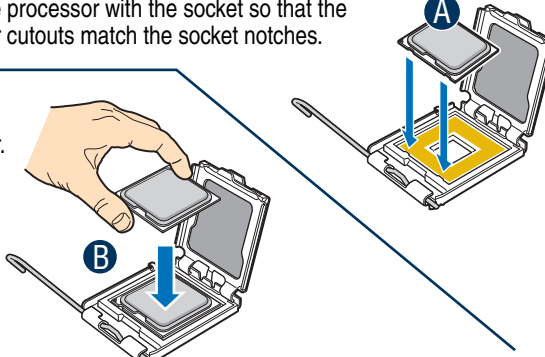
- Take the processor out of the box and remove the protective shipping cover.



### D. Install the Processor

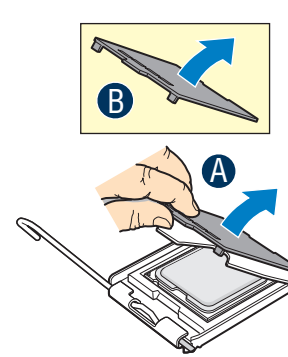
**CAUTION:** The underside of the processor has components that may damage the socket pins if installed improperly. Processor must align correctly with socket opening before installation. DO NOT DROP processor into socket!

- Orient the processor with the socket so that the processor cutouts match the socket notches.
- Install the processor.



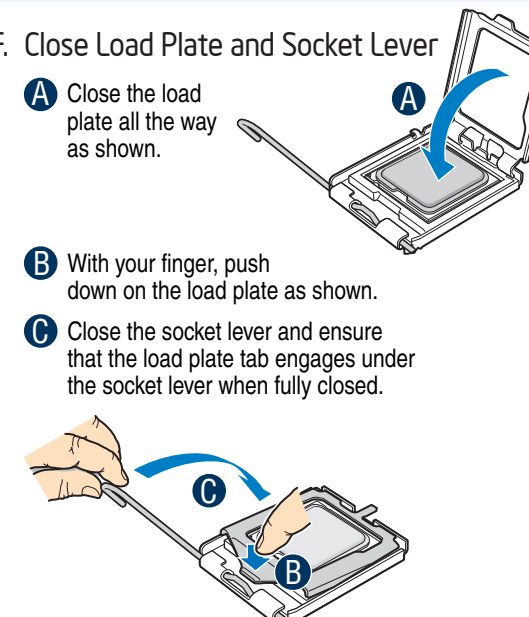
### E. Remove Socket Protective Cover

- Grasp the socket protective cover tab and pull away from the load plate as shown.
- Remove the socket protective cover and store for future use.



### F. Close Load Plate and Socket Lever

- Close the load plate all the way as shown.
- With your finger, push down on the load plate as shown.
- Close the socket lever and ensure that the load plate tab engages under the socket lever when fully closed.



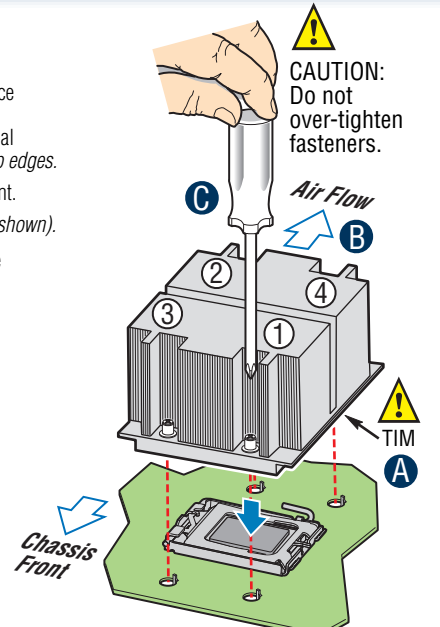
## 5 Install Heat Sink(s)

- CAUTION:** The heat sink has Thermal Interface Material (TIM) on the underside of it. Use caution so that you do not damage the thermal interface material. Use gloves to avoid sharp edges.
- Remove the protective film on the TIM if present. Note: Remove heat sink protective cover (not shown).
  - Align heat sink fins to the front and back of the chassis for correct airflow. Airflow goes from front-to-back of chassis.

Each heat sink has four captive fasteners and should be tightened using the following procedure:

- Using a #2 Phillips® screwdriver, finger-tighten each fastener diagonally, according to the numbers shown.
- Securely re-tighten each fastener again in the same order as performed in Step C.

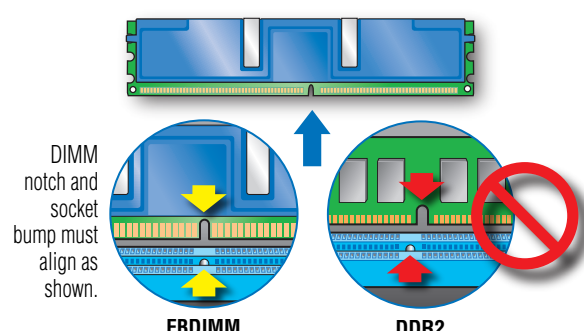
Note: Heat sink styles may vary.



## 6 Install Memory DIMMs

### FBDIMM Memory Identification:

**CAUTION:** This server board supports up to four 533/667 MHz compliant Fully Buffered DIMMs (FBD memory). DDR2 DIMMs that are not FBD memory are not supported on this server board.



### Memory Configurations and Population Order:

Memory Type: Minimum of one 512MB, 533/667 MHz compliant 240-pin FBDIMM.

Populate FBDIMMs in the order of A1, B1, and A2, B2. Populate A1 and B1 (blue) first.

DIMMs must be identical with respect to size, speed, and organization.

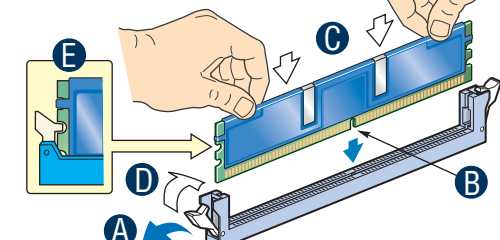
Note: For additional memory configurations, see the User Guide on the Intel® Server Deployment Toolkit 2.0 CD that accompanied your Intel® Server System SR2520SAFR, or go to: <http://support.intel.com/support/motherboards/server/s5000vsa>

Memory sizing and configuration is supported only for qualified DIMMs approved by Intel®. For a list of supported memory, see the tested memory list at <http://support.intel.com/support/motherboards/server/s5000vsa/compat.htm>

### To Install DIMMs:

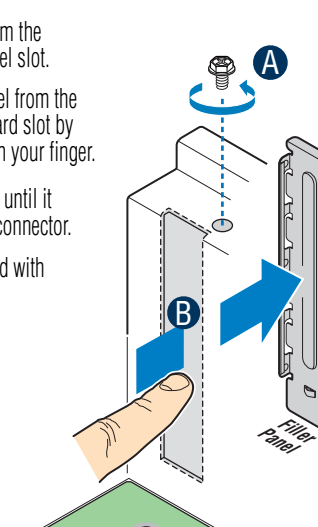
**CAUTION:** Avoid touching contacts when handling or installing DIMMs.

- Open both DIMM socket levers.
- Note location of alignment notch.
- Insert DIMM making sure the connector edge of the DIMM aligns correctly with the slot.
- Push down firmly on the DIMM until it snaps into place and both levers close.
- IMPORTANT!** Visually check that each latch is fully closed and correctly engaged with each DIMM edge slot.



## 7 Install PCI Add-in Card(s)

- Remove screw from the selected back panel slot.
- Remove filler panel from the selected add-in card slot by pushing it out with your finger.
- Insert add-in card until it seats in the riser connector.
- Secure add-in card with screw as shown.



**CAUTION:** Observe normal ESD precautions when installing add-in cards.

