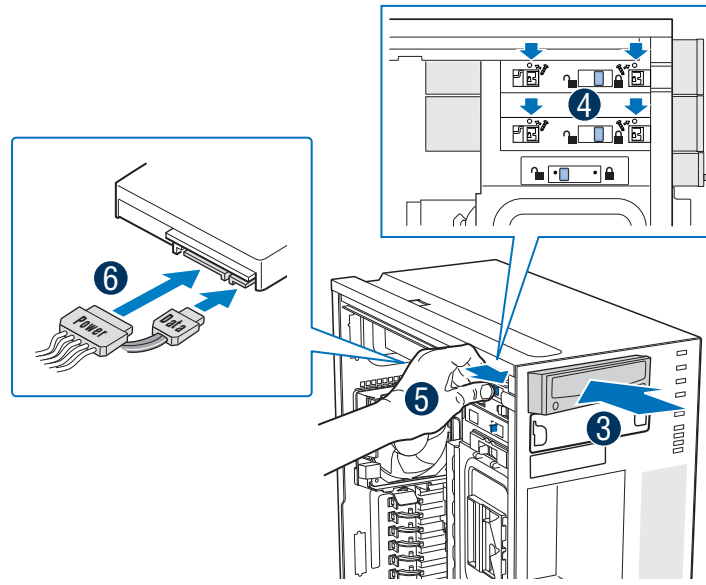


8 Install Tool-less CD-ROM or DVD-ROM Drive

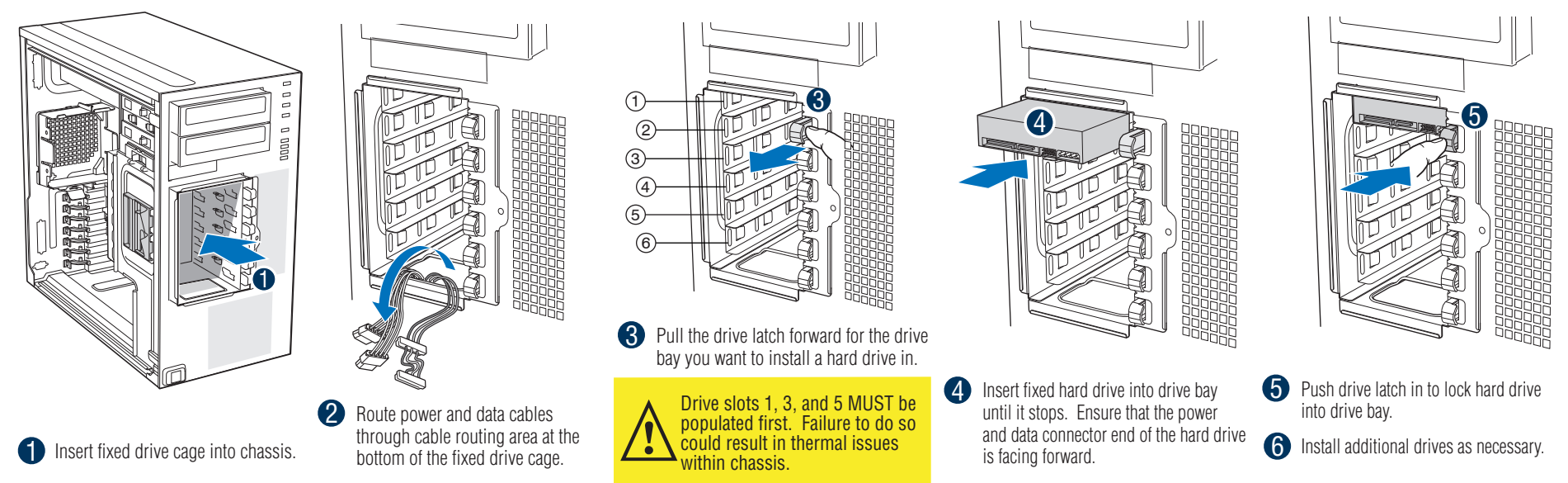
- Remove EMI shield from 5.25-inch device drive bay.
- Make sure latch is in "unlock" position.
- Insert CD-ROM or DVD-ROM drive into device drive bay.
- Line up holes in CD-ROM or DVD-ROM drive with holes in chassis.
- Move latch to "lock" position.
- Connect power (P5 or P6) cables and data cables to rear of the CD-ROM or DVD-ROM

An additional 4-pin IDE male-to-SATA 15 pin power cable adapter may be needed if the CD-ROM or DVD-ROM does not have a 4-pin power connector.

Data cables are included with the Intel® Server Board.

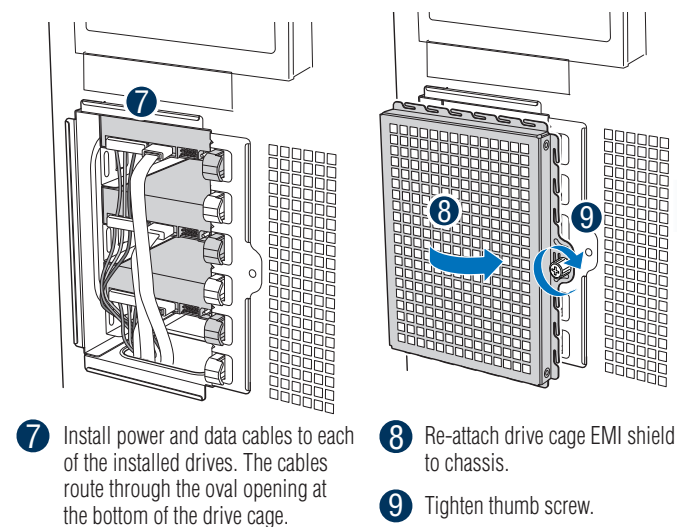


9a Install Tool-less Fixed Hard Drives (If installing a hot-swap drive cage, go to Step 10) (Continued...)



CAUTION: Drive slots 1, 3, and 5 MUST be populated first. Failure to do so could result in thermal issues within chassis.

9b Install Tool-less Fixed Hard Drives (If installing a hot-swap drive cage, go to Step 10)



10 Install Hot-Swap Drive Cage Kit (Optional)

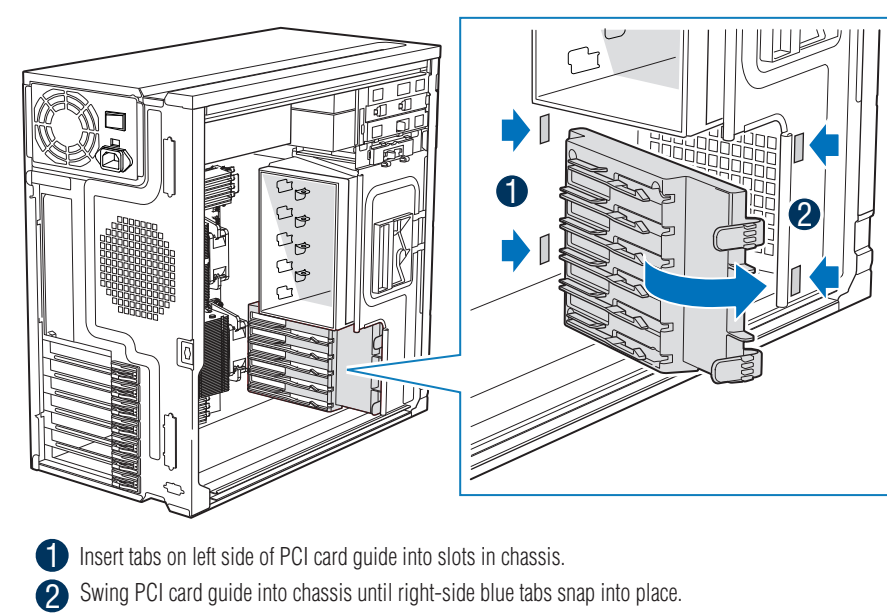
If you intend to configure your server with SATA/SAS hot swap hard drives, go to the instructions that came with your drive cage upgrade kit to install the drive cage and hot-swap drives.

11 Complete Server Board Connections

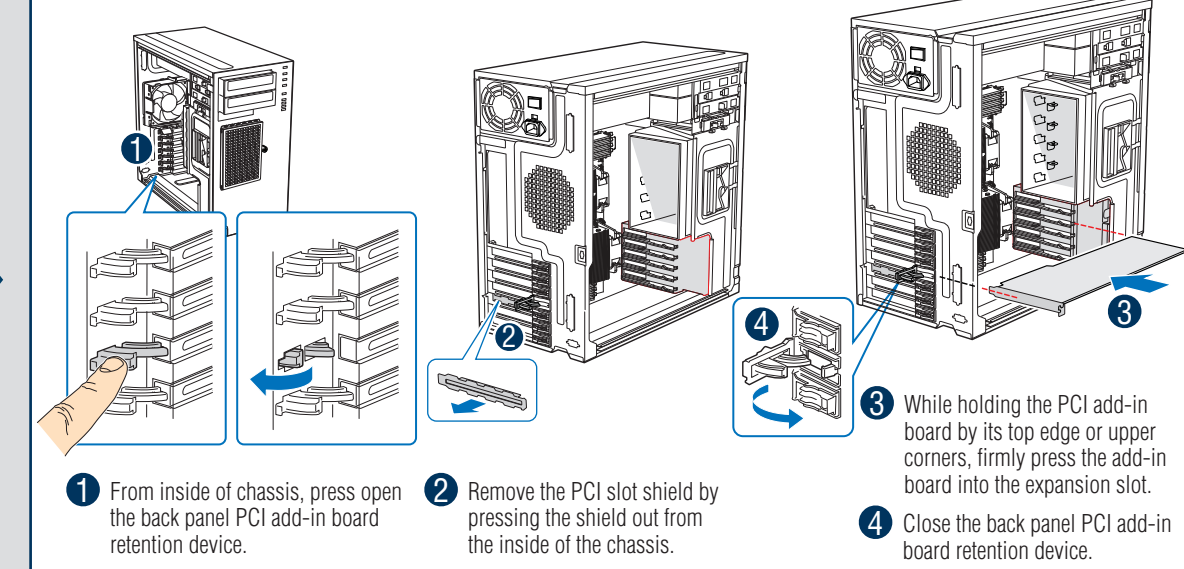
Fan Connection	Fan Header Used	Notes
System Fan 1	PCI Zone Chassis Fan	
System Fan 2	HDD Cage Fan	
System Fan 3	Rear Chassis Fan	

See your Intel® Server Board Quick Start User's Guide or the User Guide for server board cable connections.

12 Install PCI Card Guide

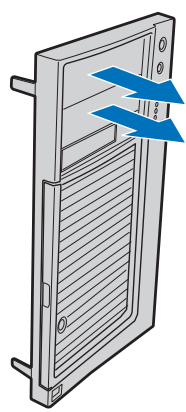


13 Install PCI Add-in Boards



14 Remove Filler Panels

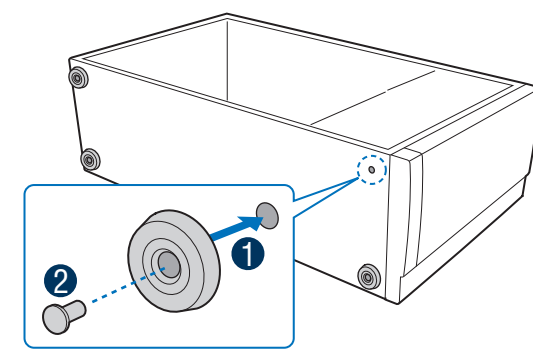
Remove the bezel filler panels for each drive you have installed. Release plastic tabs located at back side of bezel and pull out filler panels from front.



15 Install Feet

Note: This step applies to the pedestal version only. If you plan to configure your chassis as a rack mount system, go to Step 16.

- Insert rubber foot into chassis hole.
- Secure foot by inserting pin through the rubber foot. *Note: Repeat above steps until all four feet are installed.*



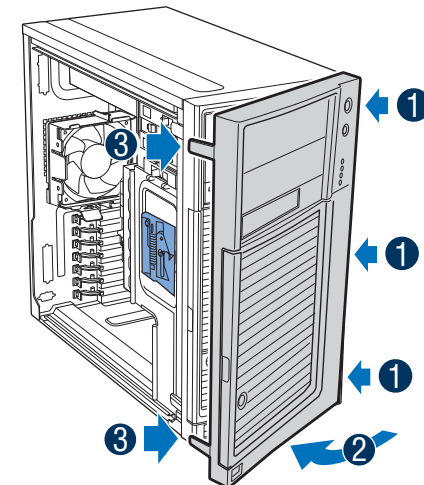
16 Install Rack Mount Kit (Optional)

If you intend to configure your server as a pedestal system, disregard this step and proceed to Step 17.

If you intend to configure your server as a rack-mount system, go to the instructions that came with your Rack Mount Kit to complete your server assembly.

17 Install Front Bezel Assembly

- Engage three clips at right edge of chassis.
- Rotate left side of bezel assembly toward chassis.
- Snap two bezel tabs into corresponding recesses at left edge of chassis front panel.

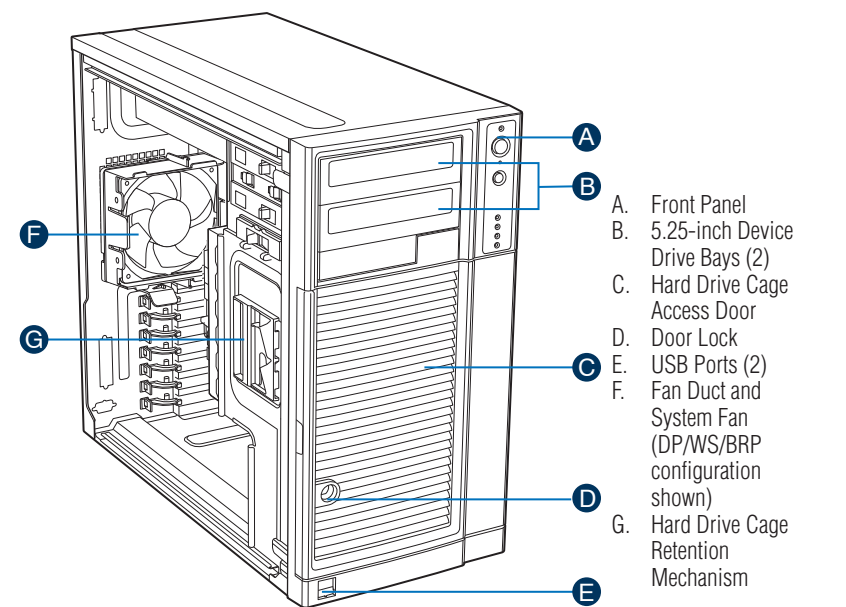


18 Close System

- Slide the side cover on chassis and latch securely.
- Replace screws.

CAUTION: This chassis must be operated with the SIDE COVER installed to ensure proper cooling.

Chassis Features and Components



19 Finishing Up

- See your Intel® Server Board Quick Start User's Guide to connect your keyboard, mouse, video and other I/O cables.
- Connect the AC power cable last.

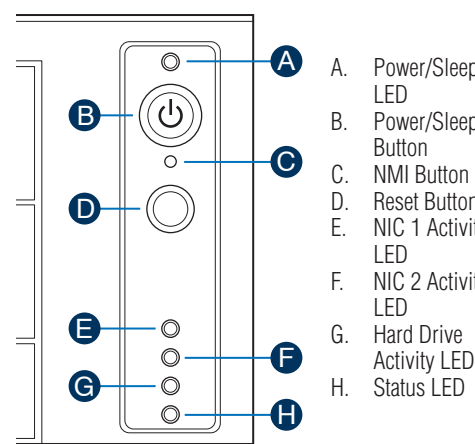
CAUTION: Power supply requires a 16-gauge power cord.

20 Install Software BIOS, Drivers, and Operating System Install

- Confirm BIOS Version:** Look on the Server/System Management screen in the BIOS Setup Utility to determine the installed BIOS version. Compare this to the versions at: <http://support.intel.com/support/motherboards/server/S5500BC/>. If new versions are available, update the BIOS on your server. See the User Guide on the Intel® Server Deployment Toolkit CD for update instructions.
- Configure your RAID Controller:** Use the instructions provided with the RAID controller.
- Install your Operating System:** Use the instructions provided with the RAID controller and with the operating system.
- Install Operating System Drivers:** With the operating system running, insert the Intel® Server Deployment Toolkit CD. If using a Microsoft® Windows® operating system, the Express Installer will autorun and allow you to select the appropriate drivers to install. On other operating systems, browse the CD folders to locate and install the driver files.

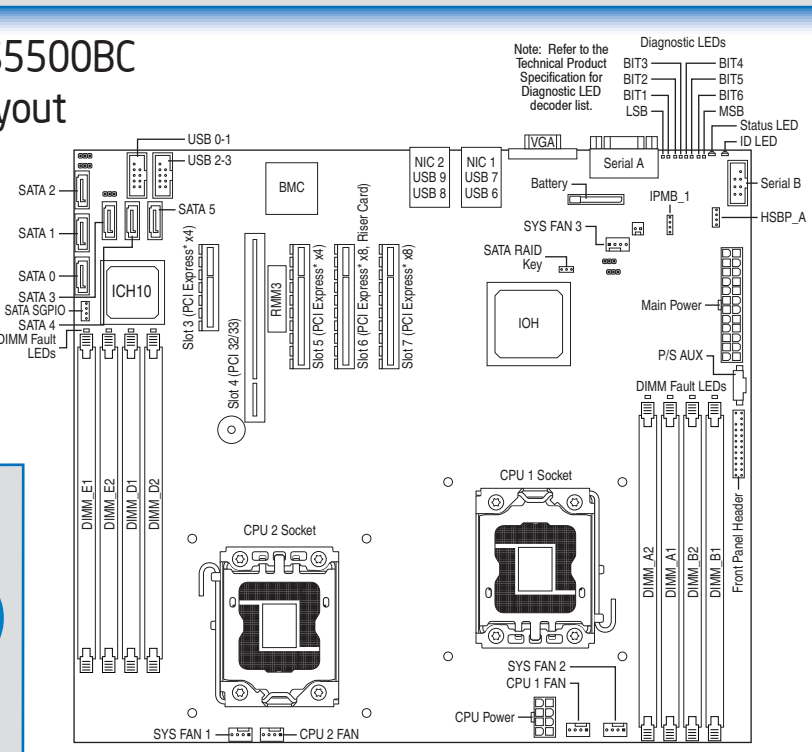
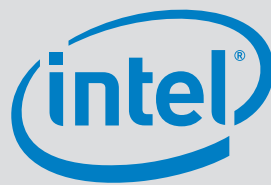
Reference

Front Panel Controls and Indicators



Server Board S5500BC Component Layout

See your Intel® Server System S5500BCDP User's Guide for expanded component and connection information.



Accessories and Order Codes	
Hot Swap Conversion Kit	APPTHSDKIT
6-Drive SAS/SATA Hot Swap Cage without expander	AXX6DRV3GR ¹
6-Drive SAS/SATA Hot Swap Cage with expander	AXX6DRV3GEXP ¹
Intel® Server Chassis Rack Mount Kit	APP3RACKIT
Intel® Server System SC5650BCDP Product Maintenance Kit	APPTPMKIT

¹ Requires a Hot Swap Conversion Kit to integrate into the Intel® Server System SC5650BCDP.
A complete list of accessories and spares can be found at: <http://support.intel.com>

Available Documents	
Document Type	Content
Technical Product Specification	In-depth technical information
Spares and Configuration Guide	Supported accessories and spares list
Software and Drivers	Up-to-date firmware, driver and utility information

Additional Reference Documents available at: <http://support.intel.com>