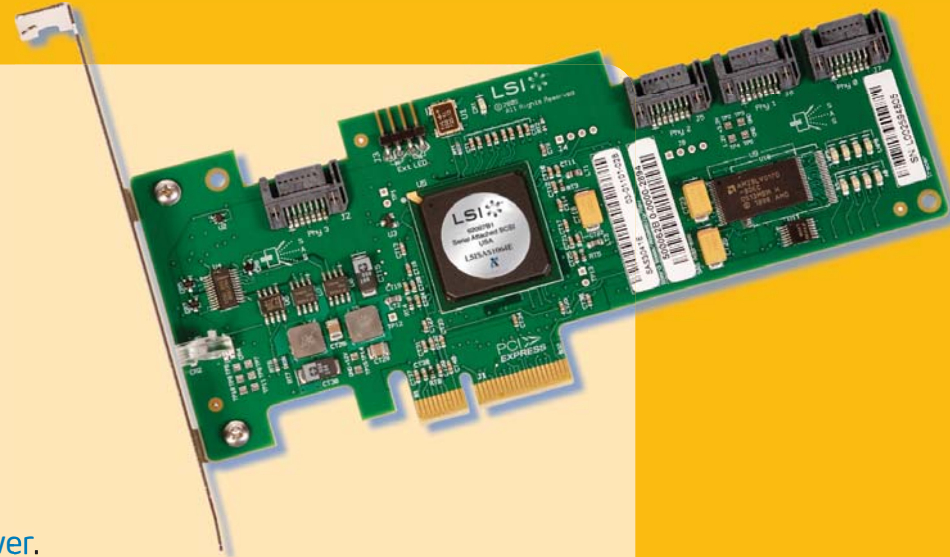


# Intel® RAID Controller SASWT4I Quick Start User's Guide

This guide contains step-by-step instructions for installing Microsoft Windows Server 2008\* / Microsoft Windows Server 2003\* / Microsoft Windows 2000\* Advanced Server, or Linux on a single RAID volume using available disks. If you plan to use a different operating system, need a more advanced RAID configuration, or need safety and regulatory information, see the Hardware and Software Guides. You can find these guides on the Resource CD accompanying the Intel® RAID Controller SASWT4I. These guides and other supporting documents (including a list of supported server boards) are also located on the web at: <http://support.intel.com/support/motherboards/server>.



If you are not familiar with ESD (Electrostatic Discharge) procedures used during system integration, see your Hardware Guide for complete ESD procedures. For more details on Intel® storage controllers, see: <http://www.intel.com/go/serverbuilder>.

## What you will need

- SAS or SATA cables
- SAS / SATA hard disk drives
- Intel® RAID Controller SASWT4I
- Server board with a x4 or x8 PCI Express\* slot
- Intel® RAID Controller SASWT4I Resource CD
- Operating system installation media: Microsoft Windows Server 2008\*, Microsoft Windows Server 2003\*, Microsoft Windows 2000\* Advanced Server, Red Hat\* Linux, SUSE\* Linux Enterprise Server

## Important Information

SAS and SATA Cables are not included with this product.

You can find the Hardware and Software Guides on the Resource CD that accompanied the Intel® RAID Controller SASWT4I.

These guides and other supporting documents (including a list of supported server boards) are located on the web at: <http://support.intel.com/support/motherboards/server>.



## Building Value With Intel

### Server Products, Programs and Support

Get the high-value server solutions you need by taking advantage of the outstanding value Intel provides to system integrators:

- High-quality server building blocks
- Extensive breadth of server building blocks
- Solutions and tools to enable e-Business
- Intel® Server Management
- Comprehensive training services
- Worldwide 24x7 technical support (AT&T Country Code + 866-655-6565)
- World-class service, including a three-year limited warranty and Advanced Warranty Replacement

For more information on the added-value server offerings from Intel, visit the Intel® ServerBuilder website at: <http://www.intel.com/go/serverbuilder>.

Intel® ServerBuilder is your one-stop shop for information about all of Intel's Server Building Blocks such as:

- Product information, including product briefs and technical product specifications
- Sales tools, such as videos and presentations
- Training information, such as the Intel® Online Learning Center
- Support Information and much more

2

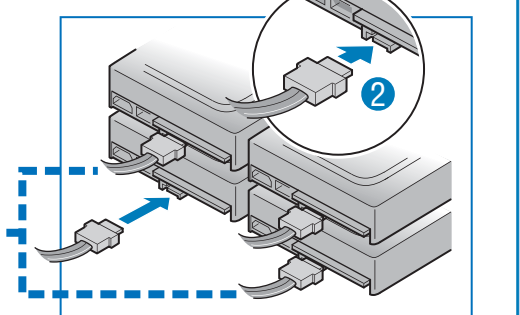
## Attach SAS / SATA Cables

To attach a cable that connects to a backplane board, see your server board and chassis documentation.

See the "Intel® RAID Controller SASWT4I Diagram" on side 2 of this Quick Start User's Guide for SAS / SATA connector locations.

- 1 Connect one end of the SAS / SATA cable to connector J7 (port 0), J6 (port 1), J5 (port 2), or J2 (port 3) on the Intel® RAID Controller SASWT4I.

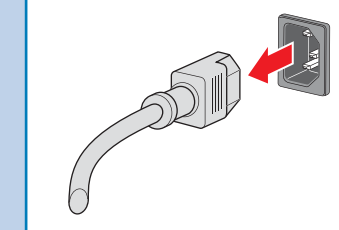
**Note:** The cable locks into the sata ports on the Intel® RAID Controller SASWT4I. If you later need to remove the cable, press down firmly on the metal spring to disengage the two hooks that hold the end of the cable in place. While holding the tab down, pull the cable end from the onboard connector. Pulling on the cable or the cable connector without disengaging the hooks will damage the cable and / or the connector on the disk controller.



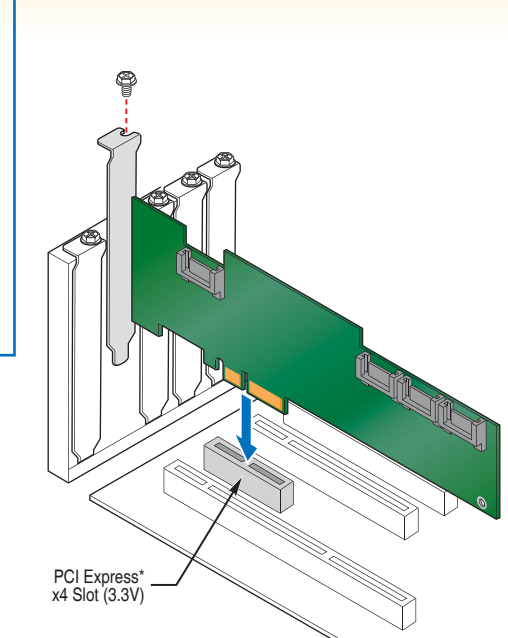
1

## Install the Intel® RAID Controller SASWT4I

- 1 Power down the system, disconnect power cord(s), and remove the system cover.



- 2 Install the Intel® RAID Controller SASWT4I into an available x4 or x8 PCI Express\* slot.



**Note:** See your server board and chassis documentation for add-in card installation procedure(s).

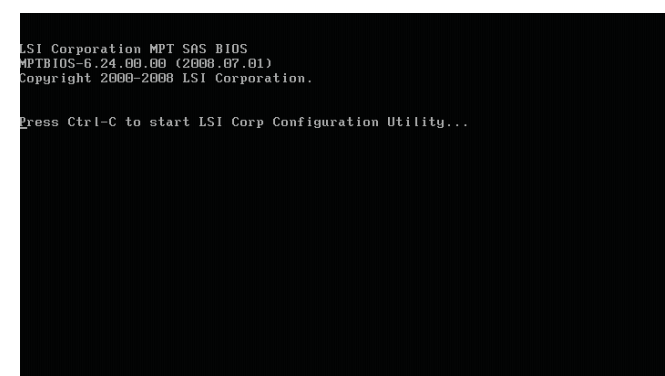
- 2 Connect the other end(s) of the SAS / SATA cable(s) to the SAS / SATA drives or to SAS / SATA connectors on an expander or non-expander-based drive bay(s) or backplane(s).

3

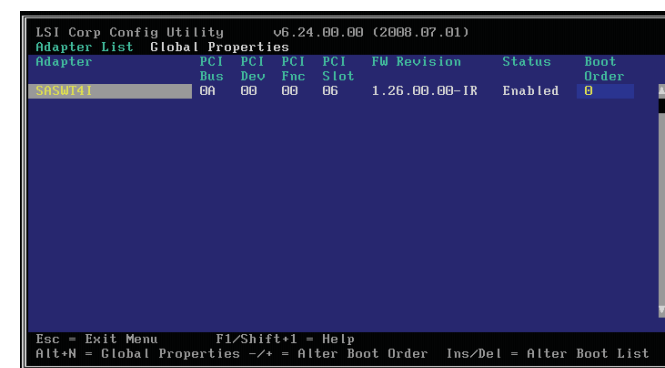
## Use the LSI MPT SAS BIOS Configuration Utility\* to Create a RAID Virtual Drive

**Note:** As necessary, see "Choosing the Right RAID Level" on side 2 of this Quick Start User's Guide for a brief description of RAID levels.

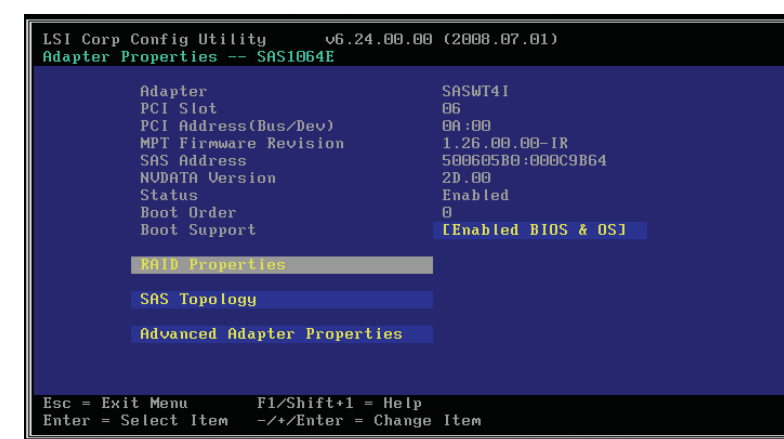
- 1 Power on the system and press <Ctrl> + <C> when the screen below is displayed.



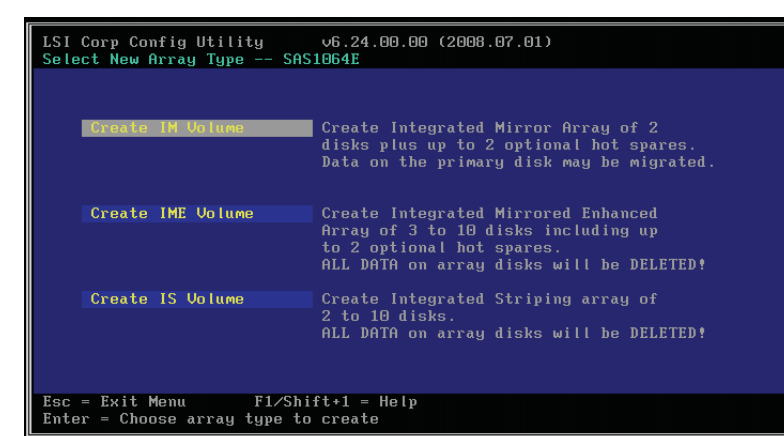
- 2 In the Adapter List Global Properties window select SASWT4I in the Adapter column and press <Enter>.



- 3 Highlight RAID Properties and press <Enter>.



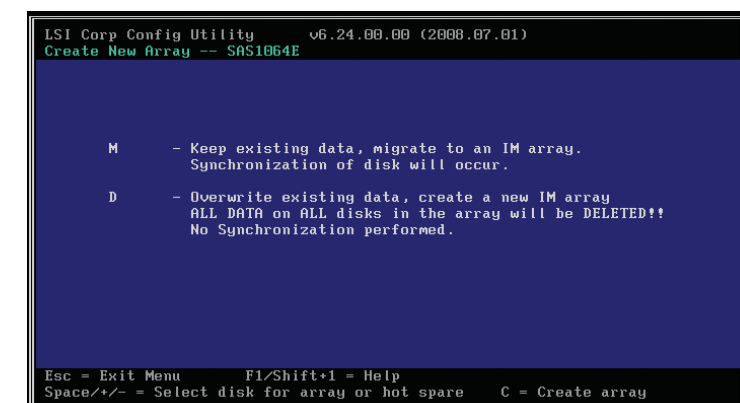
- 4 On the Select New Array Type screen, select the appropriate configuration, for example Create IM Volume, and press <Enter>.



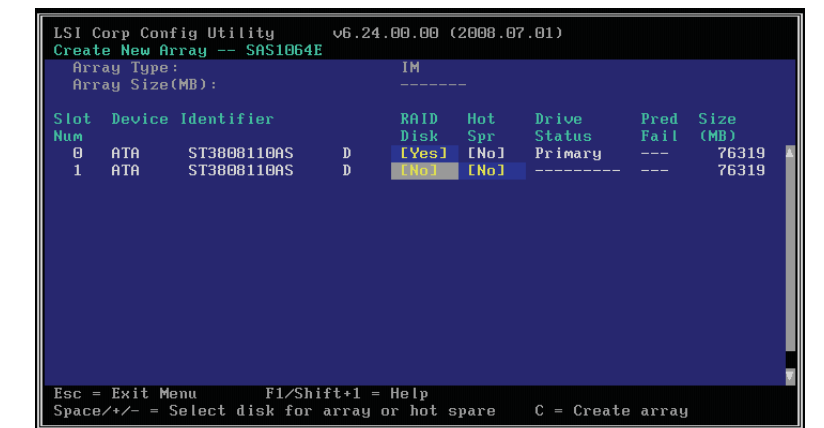
- 5 In the RAID Disk column highlight **No** and press <Space>.



- 6 Press <M> to keep existing data, or press <D> to overwrite existing data.



- 7 In the RAID Disk column highlight **No** and press <Space>.



- 8 When the RAID Disk status is listed as shown below, press <C> to create an array.

