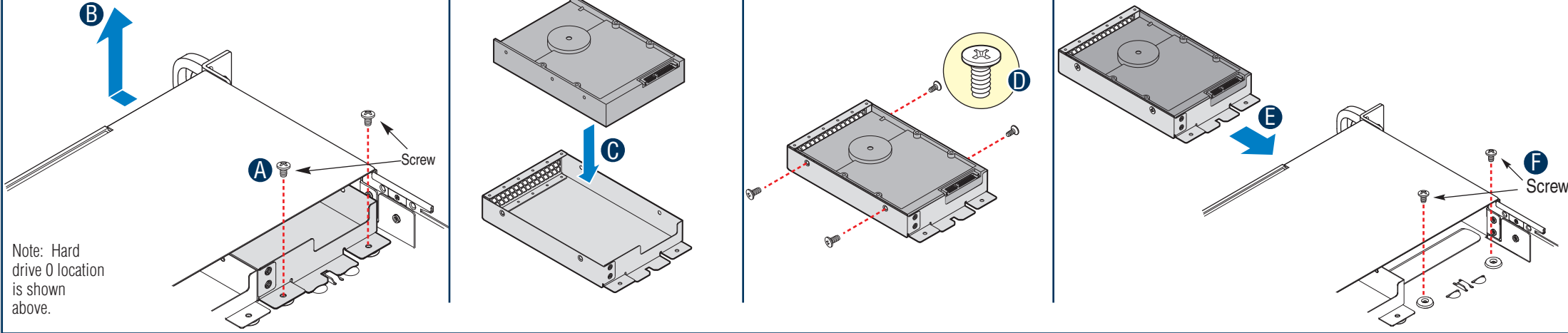


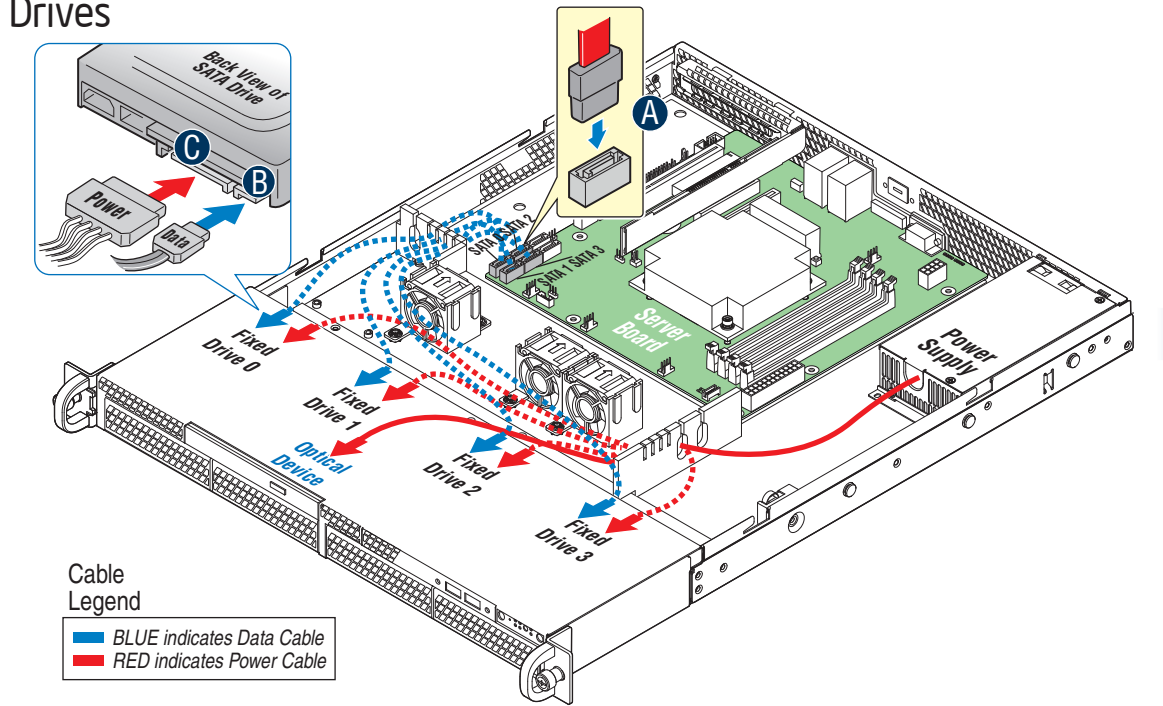
8 Install Hard Drives/Carriers

- A** Remove the screws securing the drive carrier to the chassis.
- B** Slide the carrier away from the chassis.
- C** Insert hard drive into the carrier with the bottom-side of the drive facing up.
- D** Attach the hard drive to the carrier with four screws as shown.
- E** Re-install the hard drive/carrier assembly into the chassis.
- F** Secure the hard drive/carrier assembly with the screws.



9 Cabling Hard Drives

- A** Connect SATA data cable(s) to server board as shown.
- B** Connect opposite end of SATA data cable(s) to hard drive(s) as shown ... see detail.
- C** Connect the SATA fixed drive power connectors to each hard drive as shown ... see detail.



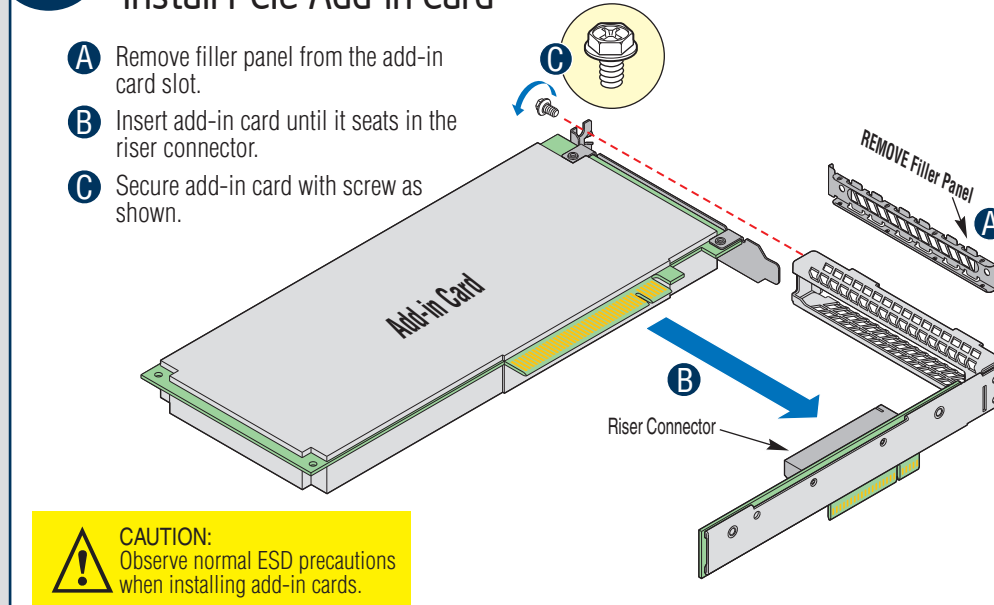
10 Install and Cable Optical Device (optional)

- A** Remove the security screws.
 - B** Remove the Filler Panel.
 - C** Attach the locking tab to the optical drive as shown.
 - D** Pull the power and data cables through the front of the chassis opening.
 - E** Connect the cables as shown.
 - F** Insert optical device assembly into front panel opening and push all the way until it stops.
- IMPORTANT NOTE:** Refer to the Cabling Diagram below for connection locations and cable routing.

CAUTION: To maintain proper system cooling, a filler blank must be installed if you do not install a device at this location.

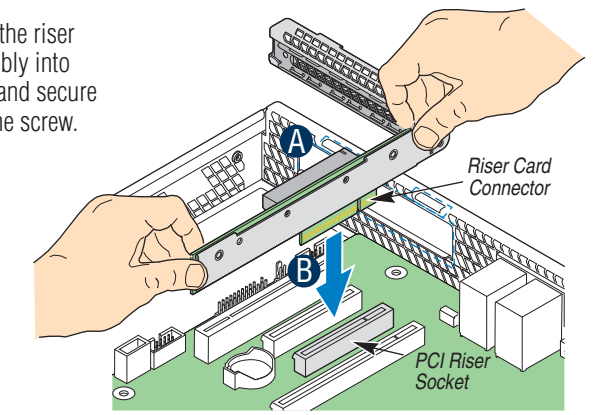
11 Install PCIe Add-in Card

- A** Remove filler panel from the add-in card slot.
- B** Insert add-in card until it seats in the riser connector.
- C** Secure add-in card with screw as shown.



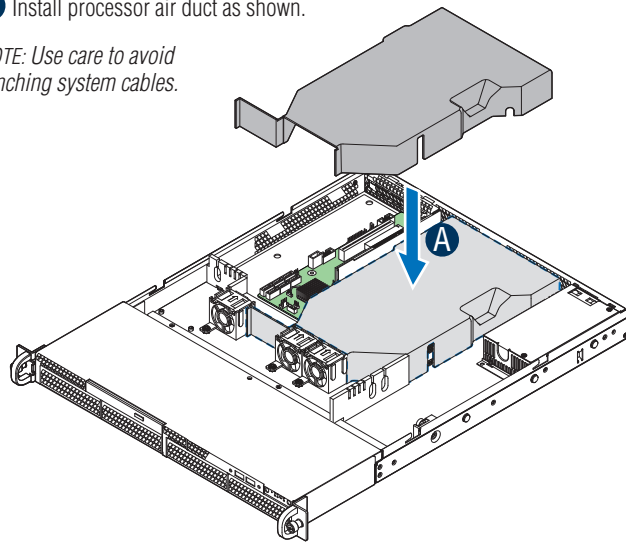
12 Install PCIe Add-in Card Riser Assembly

- A** Align the riser assembly with the server board riser socket.
- B** Press the riser assembly into place and secure with the screw.



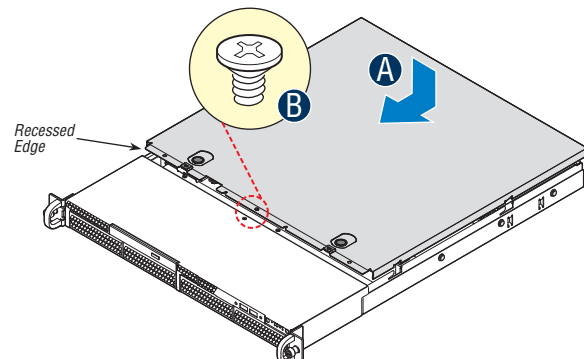
13 Install Processor Air Duct

- A** Install processor air duct as shown.
- NOTE: Use care to avoid pinching system cables.

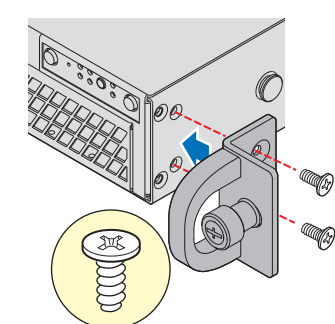


14 Install the Top Cover

- A** Place cover onto chassis and slide forward to engage recessed edge at front of cover, make sure the two latches are locked.
- B** Tighten the screw at front.



15 Install Rack Handles

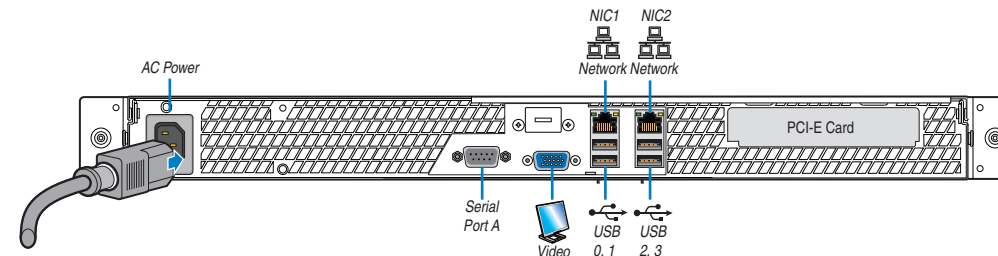


16 Finishing Up

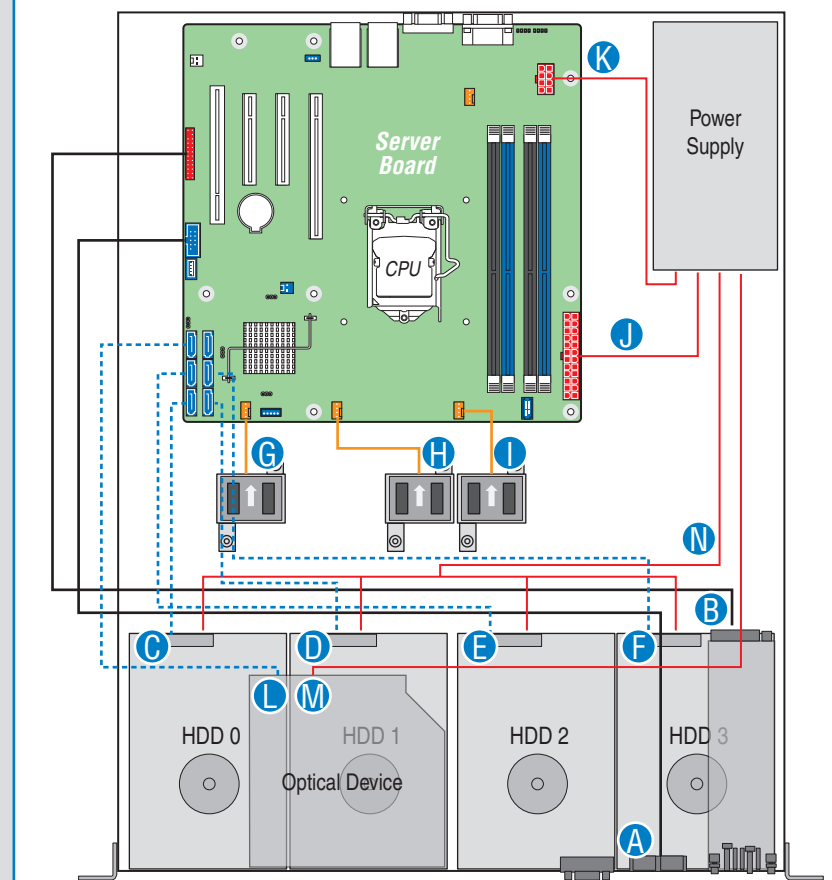
Before installing your operating system, you must finish your system installation and connect back panel I/O connectors and AC power.

- Make sure you have replaced the system cover.
- Connect your keyboard, mouse, video and other I/O cables/devices as shown. Then connect the AC power cord.

CAUTION: This unit must be operated with the TOP COVER installed to ensure proper cooling.



Platform Cabling Diagram

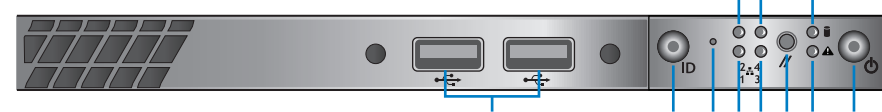


- A** Front Panel USB
 - B** Front Panel
 - C** HDD 0 to Server Board SATA 0
 - D** HDD 1 to Server Board SATA 1
 - E** HDD 2 to Server Board SATA 2
 - F** HDD 3 to Server Board SATA 3
 - G** System Fan #1 Power
 - H** System Fan #2 Power
 - I** System Fan #3 Power
 - J** Power to Server Board (Main)
 - K** Power to Server Board (CPU)
 - L** Optical Device SATA Data Cable
 - M** Optical Device to Power Supply
 - N** HDD to Power Supply
- Server Board SATA Connector Legend
-

17 Software • BIOS, Drivers, and Operating System Installation

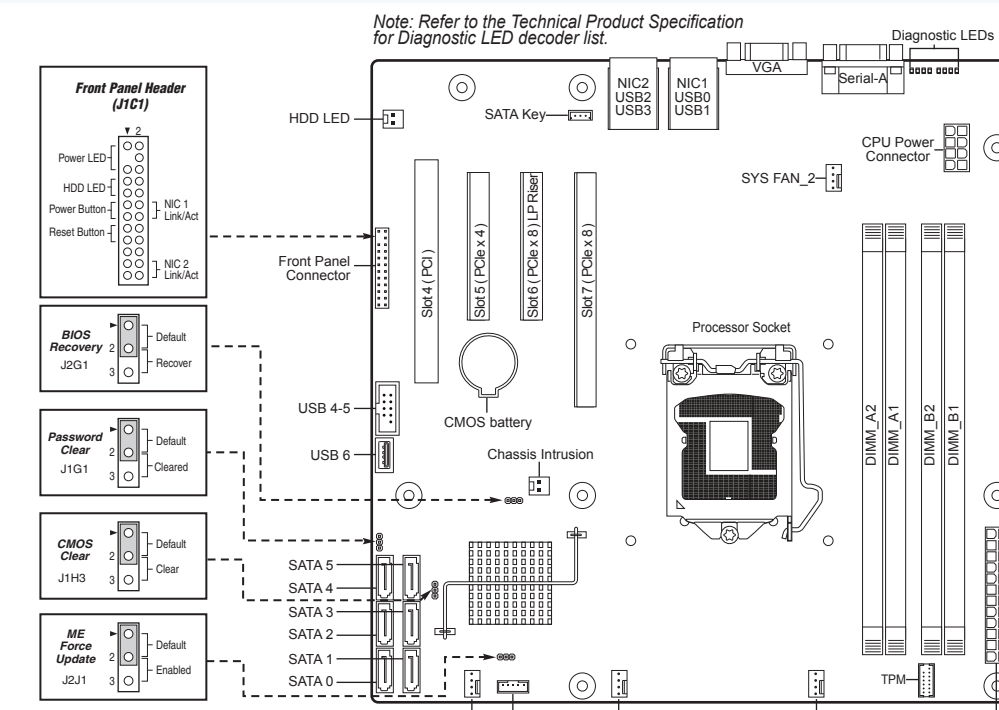
- A. Confirm BIOS Version:** Look on the Server/System Management screen in the BIOS Setup Utility to determine the installed BIOS version. Compare this to the versions at: <http://www.intel.com/support/motherboards/server>. If new versions are available, update the BIOS on your server. See the Technical Product Specification on the Intel® Server Deployment Toolkit CD for update instructions.
- B. Configure your RAID Controller:** Use the instructions provided with the RAID controller.
- C. Install your Operating System:** Use the instructions provided with the RAID controller and with the operating system.
- D. Install Operating System Drivers:** With the operating system running, insert the Intel® Server Deployment Toolkit CD. If using a Microsoft Windows™ operating system, the Intel® Deployment Assistant will autonomously allow you to select the appropriate drivers to install. On other operating systems, browse the CD folders to locate and install the driver files.

Front Panel Controls and Indicators (shown with bezel removed)



- A.** USB 2.0 Connectors
- B.** System ID Button
- C.** NMI Button
- D.** LAN1 LED
- E.** LAN3 LED
- F.** Reset Button
- G.** Status/Fault LED
- H.** Power Button
- I.** HDD LED
- J.** LAN4 LED
- K.** LAN2 LED

Intel® Server Board S1200BTS Component Layout



Available Documents

- Technical Product Specification
- Quick Reference Label
- Quick Start User Guide/System Configuration Guide

Additional Reference documents available at: <http://www.intel.com/support/motherboards/server>

Optional Accessories/Spares and Order Codes

Fixed mount bracket kit	AXXBRACKETS
SATA Slim-line DVD	AXXSATADVDR0M
Intel® Trusted Platform Module	AXXTPM3

A complete list of accessories and spares can be found at: <http://www.intel.com/support/motherboards/server>

