

### 12 Make System Connections

• Front Panel Cables

- Route front panel USB cable as shown and connect to server board.
- Route front panel cable as shown and connect to server board.

### 13 Install SATA Power/Data Cable(s)

- Connect the P4 power cable to the SATA power adapter.
- Connect SATA power cable(s) to rear of installed SATA drive(s).
- Connect SATA data cable(s) to rear of installed SATA drive(s). Note: Use the straight end as shown, the right-angle connector end will be used in Step 14.

### 14 Finish Making SATA Cable Connections and Install the Power Supply Air Baffle

**SATA Cable Server Board Connections**

- Connect right angle SATA data cable end(s) to server board SATA connector(s).

**Route Cables through Air Baffle**

- Route cables according to the diagram below. All cables should be in position before installing the air baffle.

**Install Power Supply Air Baffle**

- The baffle is held in place by three snap-standoffs on the chassis floor.
- Install the baffle as shown. CAUTION: Use care to avoid pinching cables.

**System Cable Connections**

The following legend is for REFERENCE only, and cable installations H - K are shown in subsequent steps.

- A Power supply to rear of slimline drive ... drive power
- B Power supply to SATA adapter cable ... drive power
- C Rear of CD-ROM drive to server board IDE connector ... data
- D Rear of floppy drive to server board "floppy" connector ... data
- E Rear of SATA hard drive(s) to server board SATA connector(s) ... data
- F Front panel module to server board connector ... USB
- G Front panel module to server board connector ... ribbon/power
- H Fan module to server board ... single fan power
- I Fan module to server board ... dual fans power
- J Power supply to server board ... +12V CPU power
- K Power supply to server board ... main power

### 15 Attach Intrusion Switch

The intrusion switch header is located at the rear corner of the server board, next to the power supply. Attach intrusion switch connector as shown.

### 16 Make Fan Module Power Connections

- Connect single fan power cable to server board connector as shown.
- Connect four dual fan power cables to server board connectors as shown. Note: Red cable must face CPU.

### 17 Make System Connections

• Main Power Cable and CPU Power Cable

Route main power and CPU power cables through the air baffle according to the following diagram:

- CPU power cable goes under bottom notch at rear of air baffle.
- Main power cable goes through bottom-center notch of air baffle.

- Attach the CPU power connector to the server board as shown.
- Attach the main power connector to the server board.

CAUTION: Note the location of the latch on each power cable connector and align it with the matching tab on each server board socket.

### 18 Install Add-in Riser (optional)

- Attach riser card to add-in bracket with two screws as shown.

### 19 Install Add-in Card (optional)

- Install add-in card into add-in riser assembly as shown. Note: Card edge must engage socket on riser bracket.
- Secure add-in card with screw as shown.

### 20 Re-install Add-in Card Riser Assembly

- Align the two hooks on the riser assembly with the slots at the back of the chassis.
- Press down uniformly until the two hooks engage the chassis back panel slots. If a riser card is installed, it will seat into the matching socket on the server board.

If you have not installed a riser card, you must re-install the add-in card bracket to ensure proper cooling.

### 21 Install Processor Air Duct

Install processor air duct as shown. Use care to avoid pinching system cables.

### 22 Install Rack Handles

### 23 Replace the Top Cover

- Place the cover onto the chassis and slide forward until it latches.

### 24 Install Bezel (optional)

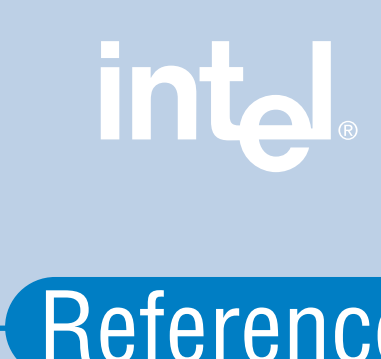
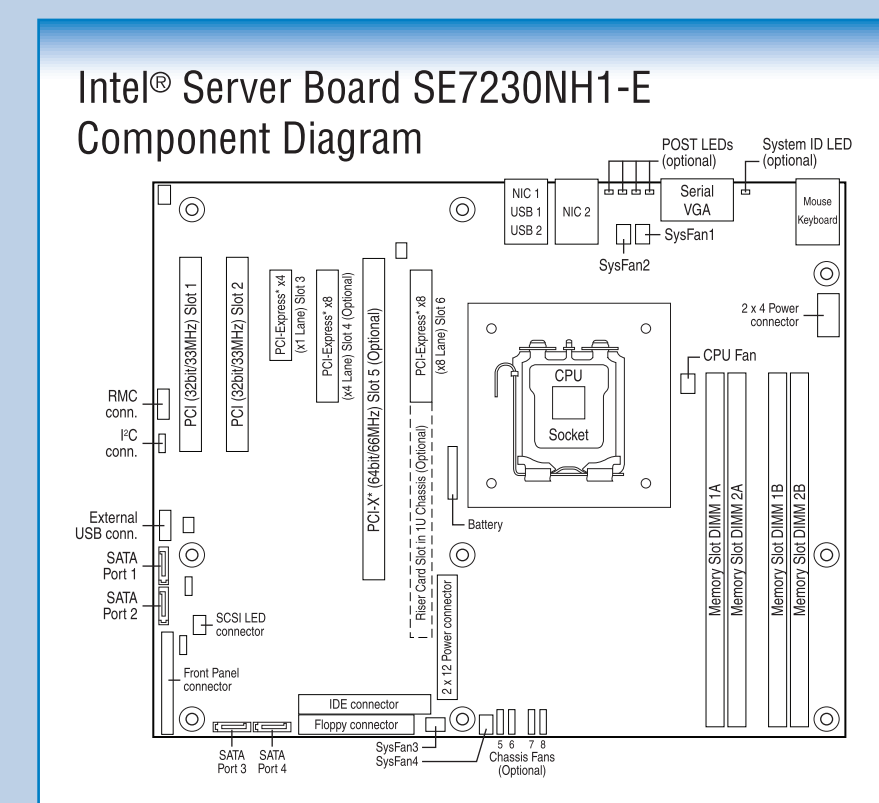
### 25 Finishing Up

CAUTION: This unit must be operated with the TOP COVER installed to ensure proper cooling.

- Connect your keyboard, mouse, video, and other I/O cables as shown.
- Connect the AC power cable last.

### 26 Software • Drivers, Firmware, and Operating System Installation

- Confirm BIOS Version**  
Look on the Server/System Management screen in the BIOS Setup Utility to determine the installed BIOS version. Compare these to the versions at: <http://support.intel.com/support/motherboards/server/sr1475nh1-e/>. If new versions are available, update the BIOS on your server. See the User Guide on the Intel® Server Deployment Toolkit CD for update instructions.
- Configure your RAID Controller**  
Use the instructions provided with the RAID controller.
- Install your Operating System**  
Use the instructions provided with the RAID controller and with the operating system.
- Install Operating System Drivers**  
With the operating system running, insert the Intel® Server Deployment Toolkit CD. If using a Microsoft® Windows® operating system, the Express Installer will autorem and allow you to select the appropriate drivers to install. On other operating systems, browse the CD folders to locate and install the driver files.
- Install Intel® Server Management 8 (optional)**  
With the operating system running, insert the Intel® Server Management 8 CD that came with your server board. On a Windows® operating system, the Setup program will auto-run. Follow the on-screen instructions. For installation details, see Getting Started with Intel® Server Manager 8, located on the ISM CD.
- Install Intel® SMarT Tool (optional)**  
With the operating system running, insert the Intel® Server Deployment Toolkit CD. The Express Installer will autorem. Click Intel® SMarT Tool at the left side of the screen. Follow the on-screen instructions. For information about Intel® SMarT Tool, see <http://developer.intel.com/design/servers/smarttool/index.htm>.



## Reference

Accessories and Order Codes	
Bezel/Standard Control Panel	ADWBZBLACK
Rail Kit	AXXHERAIL
Slimline Floppy	AXXSFLFOPPY
Slimline CD	AXXSCD
DVD/CD-R	AXXSDVDCDR
SATA Hot-Swap Backplane Kit	A1400SATAKIT
SCSI Hot-Swap Backplane Kit	A1400SCSJKIT
Rack Mounting Kit	AXX1U2URAIL
Fixed Drive SCSI Cable Kit	ABKSCSICABLE
1U Full Height PCI-X* Riser	ABKPCIXUP
1U Full Height PCI-Express* Riser (1x8 slot)	ABKPCIEXPUP

A complete list of accessories and spares can be found at: [www.intel.com/go/serverbuilder](http://www.intel.com/go/serverbuilder)

### Standard Control Panel Controls and Indicators

- A NIC2
- B. NIC1
- C. Power Button
- D. Power LED
- E. Hard Drive Activity LED
- F. Fault LED
- G. System ID LED
- H. System ID Button
- I. Reset Button
- J. USB
- K. NMI