

Intel® Server Board S1200BTS Quick Start User's Guide

Thank you for buying the Intel® Server Board S1200BTS. The following information will help you integrate your new server board into a server chassis. The Intel® Server Board S1200BTS is designed for use with the Intel® Server Chassis P4000 series.

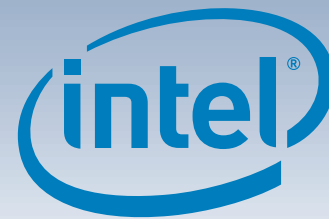
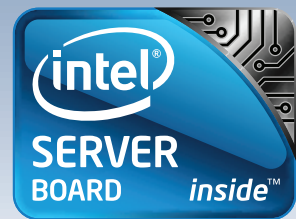
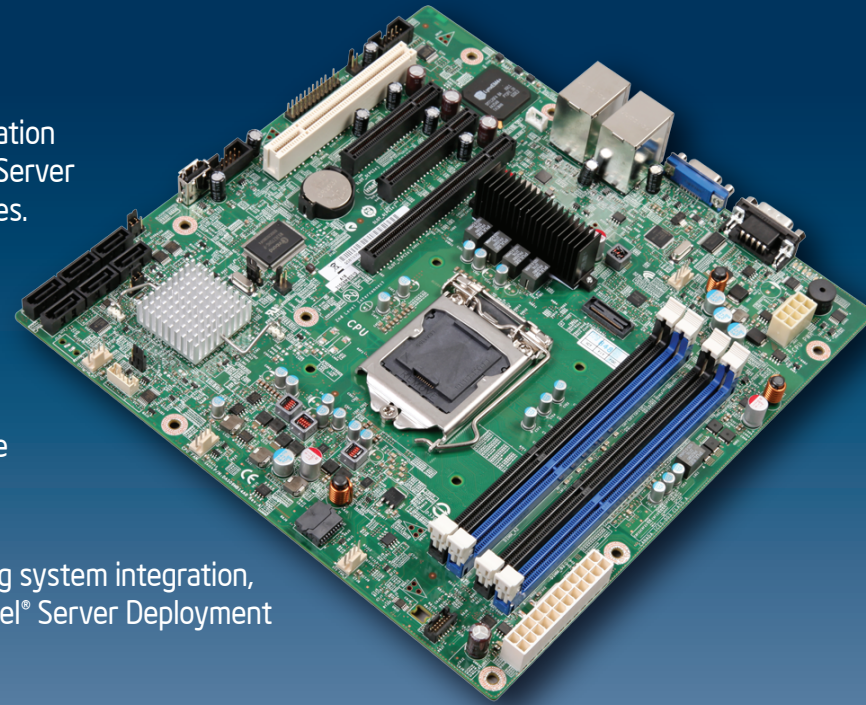
For details on these chassis or to select a third party chassis, please visit <http://www.intel.com/go/serverbuilder> and <http://www.intel.com/support/motherboards/server>.

When installing the server board into a reference chassis, refer to the reference chassis instructions.

If you are not familiar with ESD (Electrostatic Discharge) procedures used during system integration, please see the *Intel® Server Board S1200BT Service Guide*, available on the Intel® Server Deployment Toolkit CD or at <http://www.intel.com/support/motherboards/server>.

Please boot to the Intel® Server Deployment Toolkit CD first for BIOS and firmware configuration and updates.

Read all cautions and warnings first before starting your server system integration.

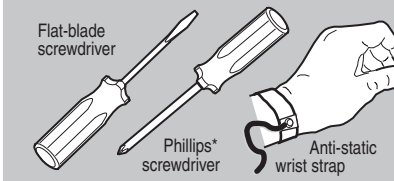


Minimum Hardware Requirements

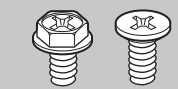
To avoid integration difficulties and possible board damage, your system must meet the following minimum requirements:

- Processor: Intel® Xeon® E3-1200 processors or the 2nd Generation Intel® Core™ i3 processors, Intel® Xeon® E3-1200 V2 processors or the 3rd Generation Intel® Core™ i3.
- Memory Type: 32 GB maximum with x8 ECC UDIMM (2Gb DRAM).
- Power: Minimum of 350 W with 3A of standby current, which meets the SSI EPS 5V specification.

Tools Required



Fastener Identification Guide



1 Preparing the Chassis

If using a non-Intel® server chassis, refer to the documentation that came with your chassis for preparatory steps.

Observe normal ESD (ElectroStatic Discharge) procedures.

Place your Intel® Server Chassis and Intel® Server Board on a flat anti-static surface to perform the following integration procedures. Always touch the chassis frame first, before reaching inside to install the server board, make server board connections or install other components.

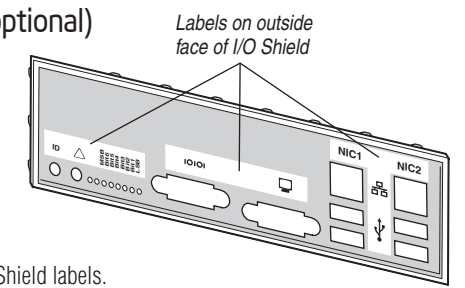
2 Installing the I/O Shield and Attach I/O Labels

Note: The I/O Shield and label installation procedures shown below apply to the Intel® Server Chassis P4000 series.

Attach the Labels to the I/O Shield (optional)

Note: Make sure you install the labels on the correct side of the I/O Shield. Note the orientation of the cutouts in the drawing before attaching your labels.

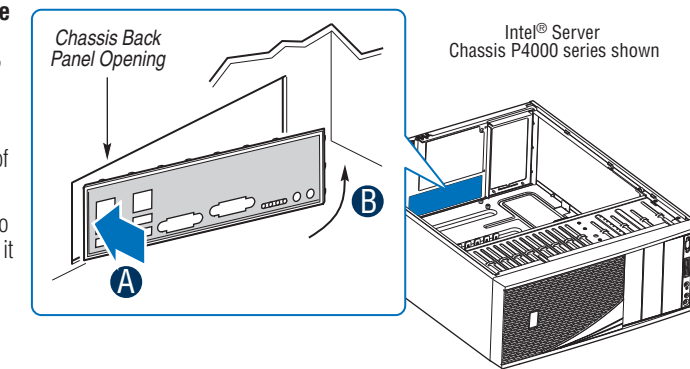
- Remove the backing from one of the three I/O Shield labels included with your server board.
- Press the label onto the I/O Shield as shown.
- Repeat steps to install the second and third I/O Shield labels.



Install the I/O Shield

Shield installs from inside the chassis. The labels should be visible from the outside of the chassis.

- Insert one side edge of shield as shown.
- Push shield firmly into chassis opening until it clicks into place.



3 Install Server Board Bumpers

IMPORTANT NOTE: If you are using a non-Intel® server chassis that includes bumpers, refer to the chassis documentation for bumper installation. If you are using a non-Intel® server chassis that does not include bumpers, consult with the chassis vendor to determine if bumpers are required or not. If you are using an Intel® Server Chassis, use the chassis bumpers that came with the chassis.

Prepare Server Board

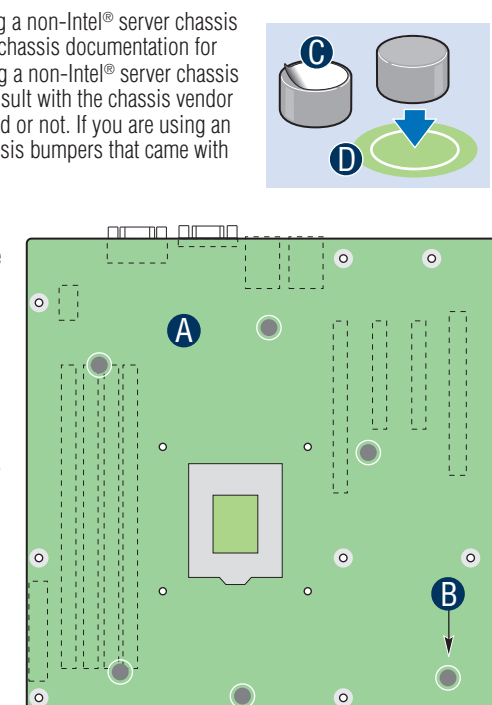
- Rotate board to show underside and hold upright as shown.



- Locate the six circles as shown.

Attach the Bumpers

- Remove the backing from each bumper.
- Press a bumper onto each of the six circles.



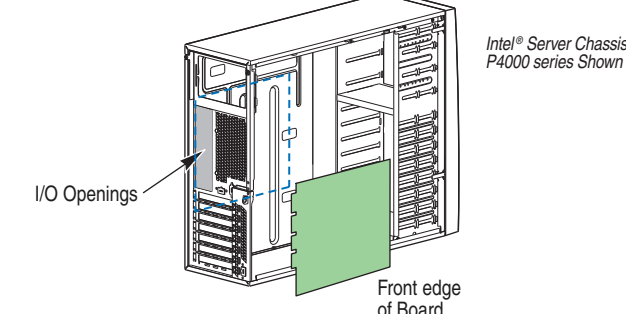
4 Install the Server Board

IMPORTANT NOTE: If you are using a non-Intel® server chassis, see your chassis documentation for preparatory steps prior to server board installation.

A. Insert the Server Board

Place the board into the chassis, making sure that back panel I/O openings and chassis standoffs align correctly.

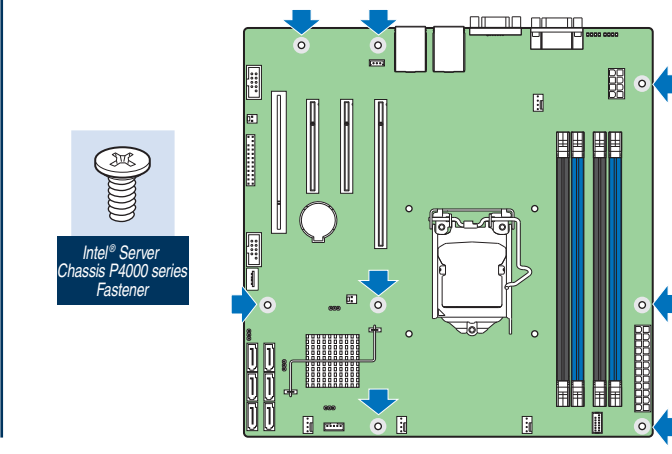
- When using the Intel® Server Chassis P4000 series, insert the front of the board first, then slide the board back so the I/O connectors fit through the I/O openings at the rear of the chassis.



B. Attach the Server Board

The directions below are for the Intel® Server Chassis P4000 series. For a non-Intel server chassis, use the fasteners that came with your chassis.

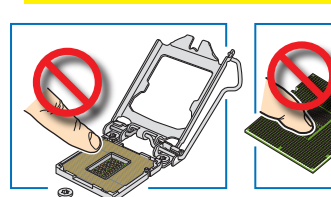
Use screws to attach the board to the chassis at the 9 locations indicated by the solid blue arrows in the figure.



5 Install the Processor

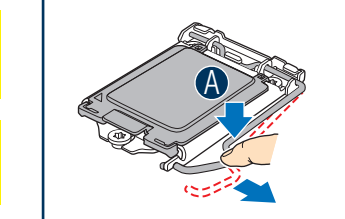
Cautions:

- When removing the protective cover, DO NOT TOUCH the gold socket wires.
- To avoid damage, DO NOT DROP the cover onto the socket wires or components.
- When unpacking a processor, hold by the edges only to avoid touching the gold contact wires.

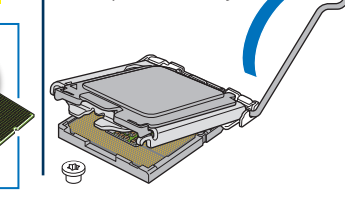


A. Open the Socket Lever

- Push the lever handle down and away from the socket to release it.

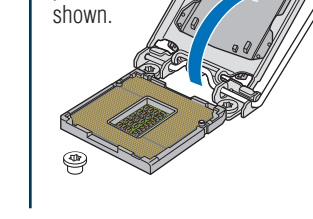


- Rotate the lever open all the way.



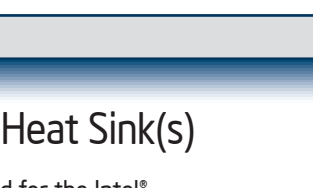
B. Open the Load Plate

- Open the load plate as shown.



C. Unpack the Processor

- Carefully remove protective cover as shown. Save the protective cover.

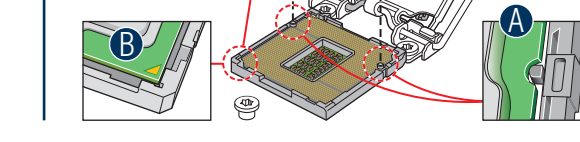


D. Install the Processor

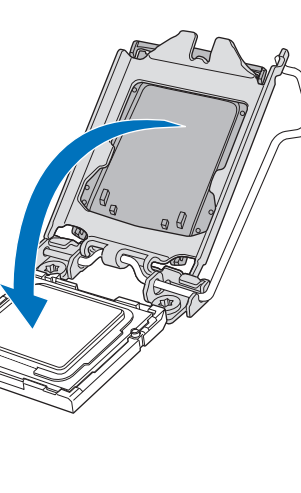
- CAUTION: The underside of the processor has components that may damage the socket wires if installed improperly.

Processor must align correctly with the socket opening before installation. DO NOT DROP processor into socket!

- Orient the processor with the socket so that the processor cutouts match the two socket pins.
- Note location of gold key at corner of processor.



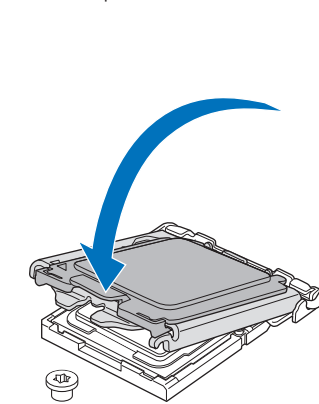
Carefully lower the load plate over the processor.



Install the Processor ... continued

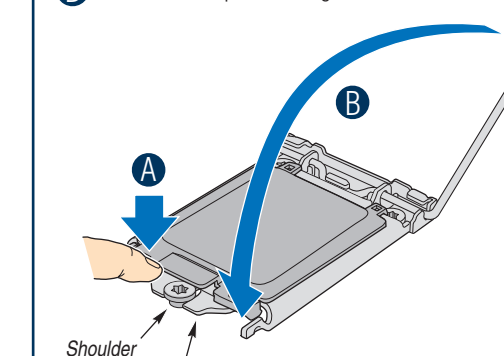
E. Close the Load Plate

Carefully lower the load plate over the processor.



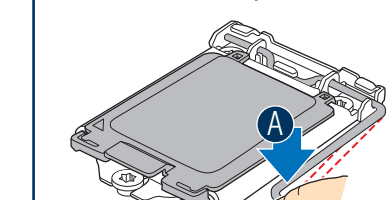
F. Engage the Load Plate

- Make sure the front edge of the load plate slides under the shoulder screw as the lever is lowered.
- Close the load plate locking lever.



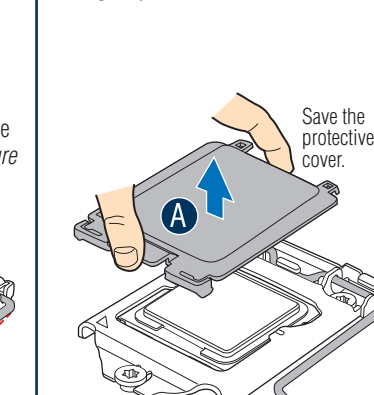
G. Latch the Locking Lever

- Push down on the locking lever.
- Slide the tip of the lever under the notch in the load plate. Make sure the lever is securely latched.



H. Remove the Cover

Carefully lift the cover straight up as shown.



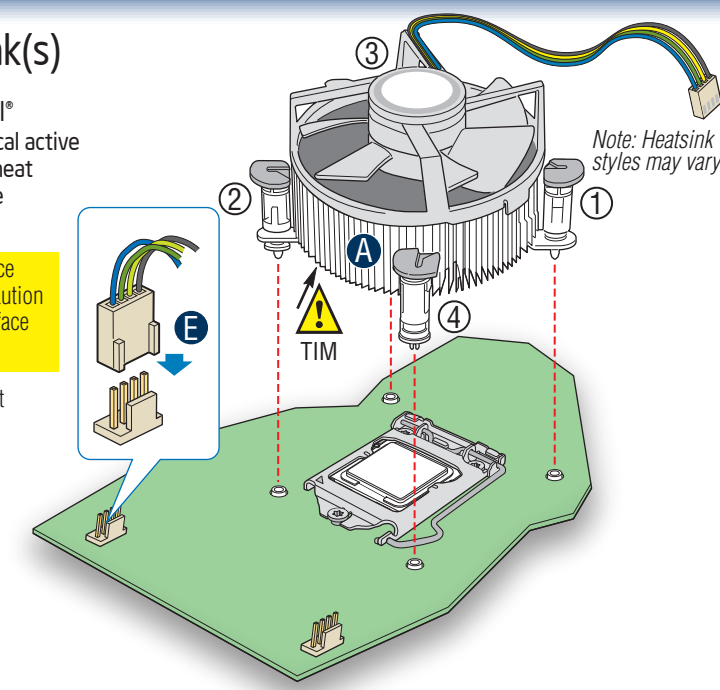
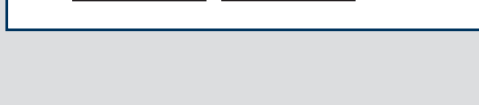
6 Install Active Heat Sink(s)

An active heat sink is required for the Intel® Entry Server Chassis P4000 series. A typical active heat sink is shown at right. Rotate the active heat sink so that the power connector can reach the CPU fan header on the server board.

- CAUTION: The heat sink has thermal interface material (TIM) on the underside of it. Use caution so that you do not damage the thermal interface material. Use gloves to avoid sharp edges.

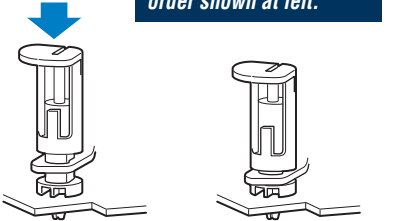
Use the following procedure to install an active heat sink to your server board:

- Make sure the screwdriver slot at the top of each fastener is rotated perpendicular to the blades of the heat sink as shown.



- Align heat sink with holes in board and lower assembly to board. Snaps go through holes in server board.

Repeat B-D for each fastener in the numerical order shown at left.



- Press downward on top of cap.
- Fastener snaps into final position.

E Plug the fan cable into the CPU fan header.

Warning

Read all caution and safety statements in this document before performing any of the instructions. Also see the *Intel® Server Board and Server Chassis Safety Information* document at: <http://www.intel.com/support/motherboards/server/sb/cs-010770.htm> for complete safety information.

Warning

Installation and service of this product should only be performed by qualified service personnel to avoid risk of injury from electrical shock or energy hazard.

Caution

Observe normal ESD (Electrostatic Discharge) procedures during system integration to avoid possible damage to server board and/or other components.

Intel is a registered trademark of Intel Corporation or its subsidiaries in the United States and other countries. *Other names and brands may be claimed as the property of others. Copyright © 2012, Intel Corporation. All rights reserved.

G20487-003

