



Intel® Server System R2000BB Product Family

Technical Product Specification



Revision 1.2.1

February 2013

Enterprise Platforms and Services Division

Revision History

Date	Revision Number	Modifications
April 2012	1.0	1 st Production Release
June 2012	1.1	<ul style="list-style-type: none"> • Corrected LCP front Panel port definition • Corrected LCP product code • Added advisory note to AXXVRAIL feature list • Corrected IO Module product code definitions in Table 1 • Added note describing support requirements for AXXRMFBU2 accessory kit • Added sections for RMM4 support • Added BBU9 Installation Diagram
January 2013	1.2	<ul style="list-style-type: none"> • Front bezel badge option diagrams added to section 2.5 • Rail Kit Caution and Advisory notes added to section 2.6 • DC Power Supply Spec content added to Chapter 3 • Added Chapter 5 – Intel Xeon® Phi™ Coprocessor and GPGPU support • Internal SSD support changes made in section 6.4 • Updated sections 7.2.2 and 7.4.4 – embedded RSTe support • Deleted sections in Chapter 9. Intel Local Control Panel. Added reference to published LCP TPS. • Corrected Appendix B - POST Code LED Decoder – (E0h – E3h) • Added Appendix D – System Configuration Table for Thermal Compatibility
February 2013	1.2.1	<ul style="list-style-type: none"> • Removed content and all references for DC power supply option

Disclaimers

INFORMATION IN THIS DOCUMENT IS PROVIDED IN CONNECTION WITH INTEL PRODUCTS. NO LICENSE, EXPRESS OR IMPLIED, BY ESTOPPEL OR OTHERWISE, TO ANY INTELLECTUAL PROPERTY RIGHTS IS GRANTED BY THIS DOCUMENT. EXCEPT AS PROVIDED IN INTEL'S TERMS AND CONDITIONS OF SALE FOR SUCH PRODUCTS, INTEL ASSUMES NO LIABILITY WHATSOEVER AND INTEL DISCLAIMS ANY EXPRESS OR IMPLIED WARRANTY, RELATING TO SALE AND/OR USE OF INTEL PRODUCTS INCLUDING LIABILITY OR WARRANTIES RELATING TO FITNESS FOR A PARTICULAR PURPOSE, MERCHANTABILITY, OR INFRINGEMENT OF ANY PATENT, COPYRIGHT OR OTHER INTELLECTUAL PROPERTY RIGHT.

UNLESS OTHERWISE AGREED IN WRITING BY INTEL, THE INTEL PRODUCTS ARE NOT DESIGNED NOR INTENDED FOR ANY APPLICATION IN WHICH THE FAILURE OF THE INTEL PRODUCT COULD CREATE A SITUATION WHERE PERSONAL INJURY OR DEATH MAY OCCUR.

Intel may make changes to specifications and product descriptions at any time, without notice. Designers must not rely on the absence or characteristics of any features or instructions marked "reserved" or "undefined". Intel reserves these for future definition and shall have no responsibility whatsoever for conflicts or incompatibilities arising from future changes to them. The information here is subject to change without notice. Do not finalize a design with this information.

The products described in this document may contain design defects or errors known as errata which may cause the product to deviate from published specifications. Current characterized errata are available on request.

Contact your local Intel sales office or your distributor to obtain the latest specifications and before placing your product order.

Copies of documents which have an order number and are referenced in this document, or other Intel literature, may be obtained by calling 1-800-548-4725, or go to: <http://www.intel.com/design/literature.htm>

Intel® Xeon® and Intel® Xeon Phi™ are registered trademarks of Intel Corporation.

*Other brands and names may be claimed as the property of others.

Copyright © Intel Corporation 2013

Table of Contents

1. Introduction	1
1.1 Chapter Outline	1
1.2 Server Board Use Disclaimer	1
1.3 Product Errata	1
2. Product Family Overview	2
2.1 Chassis Dimensions	4
2.2 System Level Environmental Limits	5
2.3 System Features and Options Overview	6
2.3.1 Hot Swap Hard Drive Bay and Front Panel Options	6
2.3.2 Back Panel Features	8
2.3.3 Front Control Panel Options	8
2.4 Server Board Features Overview	9
2.5 Available Front Bezel Support	11
2.6 Available Rack and Cabinet Mounting Kit Options	12
3. Power Subsystem	13
3.1 Mechanical Overview	13
3.2 Main Power Inter-Connect Layout	15
3.3 Power Connectors	15
3.3.1 Power Supply Module Card Edge Connector	15
3.3.2 Riser Card Power Connectors	16
3.3.3 Hot Swap Backplane Power Connector	16
3.3.4 Optical Drive and SSD Power Connector	17
3.4 Power Supply Module Efficiency	17
3.5 Power Cord Specification Requirements	17
3.6 Optional Chassis Grounding Support	18
3.7 AC Input Requirement	18
3.7.1 Power Factor	18
3.7.2 AC Input Voltage Specification	18
3.7.3 AC Line Isolation Requirements	19
3.7.4 AC Line Dropout / Holdup	19
3.7.5 AC Line Fuse	19
3.7.6 AC Inrush	19
3.7.7 AC Line Transient Specification	19
3.7.8 Susceptibility Requirements	20
3.7.9 Electrostatic Discharge Susceptibility	20
3.7.10 Fast Transient/Burst	20
3.7.11 Radiated Immunity	20
3.7.12 Surge Immunity	20

3.7.13	Power Recovery	21
3.7.14	Voltage Interruptions	21
3.7.15	Protection Circuits	21
3.7.16	Over-current Protection (OCP)	21
3.7.17	Over-voltage Protection (OVP)	21
3.7.18	Over-temperature Protection (OTP)	21
3.8	Cold Redundancy Support	22
3.8.1	Powering on Cold Standby supplies to maintain best efficiency	22
3.8.2	Powering on Cold Standby supplies during a fault or over current condition.....	22
3.8.3	BMC Requirements	22
3.8.4	Power Supply Turn On Function	23
3.9	Closed Loop System Throttling (CLST)	23
3.10	Smart Ride Through Throttling (SmaRT)	23
3.11	Power Supply Status LED	23
4.	Thermal Management.....	24
4.1	Thermal Operation and Configuration Requirements.....	24
4.2	Thermal Management Overview	25
4.2.1	Set Throttling Mode.....	25
4.2.2	Altitude.....	26
4.2.3	Set Fan Profile	26
4.2.4	Fan PWM Offset.....	26
4.2.5	Quiet Fan Idle Mode.....	26
4.2.6	Thermal Sensor Input for Fan Speed Control	26
4.3	System Fans	27
4.4	Power Supply Module Fan	29
4.5	FRUSDR Utility	29
5.	Intel® Xeon Phi™ Coprocessor and GPGPU Add-in Card Support.....	30
5.1	High Power Add-in Card Support Criteria	30
5.2	Intel® Xeon Phi™ Coprocessor Card – System Configuration Requirements	31
6.	System Storage and Peripheral Drive Bays Overview	32
6.1	2.5" Hard Disk Drive Support.....	32
6.1.1	2.5" Drive Hot-Swap Backplane Overview.....	34
6.1.2	Cypress* CY8C22545 Enclosure Management Controller.....	35
6.2	3.5" Hard Disk Drive Support.....	36
6.2.1	3.5" Drive Hot-Swap Backplane Overview.....	37
6.2.2	Cypress* CY8C22545 Enclosure Management Controller.....	38
6.3	Optical Drive Support	39
6.4	Internal – Fixed Mount Solid State Drive (SSD) Support	40
6.5	Low Profile eUSB SSD Support	41
6.6	SATA DOM Support	41
6.7	mSATA SSD Support.....	42

7. Storage Controller Options Overview	43
7.1 Embedded SATA / SAS Controller support	43
7.2 Embedded Software RAID Support	44
7.2.1 Intel® Embedded Server RAID Technology 2 (ESRT2).....	44
7.2.2 Intel® Rapid Storage Technology (RSTe)	44
7.3 Intel® Integrated RAID Module Support (Available Option)	45
7.4 Intel® SAS Expander Support Options.....	46
7.4.1 24-Port PCIe Intel® RAID Expander Card RES2SV240	47
7.4.2 24-Port and 36-Port Internal Intel RAID Expander Cards	47
7.4.3 SAS Expander Usage Guidelines.....	49
7.4.4 Sample SAS Expander Configurations.....	49
8. Front Control Panel and I/O Panel Overview	51
8.1 I/O Panel Features	51
8.2 Control Panel Features	52
9. Intel® Local Control Panel	55
10. PCI Riser Card Support.....	56
10.1 Architectural Overview of the Server Board Riser Slots.....	56
10.2 Riser Card Support	58
10.3 Riser Card Options – Riser Slot #1.....	59
10.3.1 1-Slot PCIe Riser Card (Required for Intel® Xeon Phi™ and GPGPU Support)	59
10.3.2 3-Slot PCIe Riser Card.....	59
10.4 Riser Card Options – Riser Slot #2.....	60
10.4.1 2-Slot PCIe Riser Card (Required for Intel® Xeon Phi™ and GPGPU Support)	60
10.4.2 3-Slot PCIe Riser Card.....	60
10.4.3 3-Slot PCIx / PCIe Riser Card	61
11. Mezzanine Module Support.....	62
11.1 IO Module Support	62
11.2 Intel® Remote Management Module 4 (RMM4) Lite and Management NIC Support	62
Appendix A: Integration and Usage Tips	64
Appendix B: POST Code Diagnostic LED Decoder	65
Appendix C: POST Code Errors.....	70
Appendix D: System Configuration Table for Thermal Compatibility	75
Glossary	78
Reference Documents	79

List of Figures

Figure 1. Chassis Dimensions.....	4
Figure 2. System Components Overview	6
Figure 3. 3.5" Hard Drive Bay - 8 Drive Configuration	6
Figure 4. 3.5" Hard Drive Bay - 12 Drive Configuration (Storage SKU)	6
Figure 5. 2.5" Hard Drive Bay - 8 Drive Configuration	7
Figure 6. 2.5" Hard Drive Bay - 16 Drive Configuration	7
Figure 7. 2.5" Hard Drive Bay - 24 Drive Configuration (Storage SKU)	7
Figure 8. Back Panel Feature Identification.....	8
Figure 9. Front Control Panel Options.....	8
Figure 10. Intel® Server Board S2400BB.....	9
Figure 11. Intel® Light-Guided Diagnostic LEDs - Server Board	10
Figure 12. Front Bezel accessory with optionally installed wave feature.....	11
Figure 13. Front Bezel accessory with optionally installed ID Badge insert	11
Figure 14. Front Bezel accessory ID Badge mechanical drawings	12
Figure 15. Power Supply Module Mechanical Drawing.....	14
Figure 16. Power Supply Module	14
Figure 17. AC Power Supply - Connector View	14
Figure 18. Main Power Connector Identification	15
Figure 19. AC Power Cord	17
Figure 20. Chassis Grounding Studs.....	18
Figure 21. Fan Control Model.....	27
Figure 22. System Fan identification	27
Figure 23. System Fan Assembly.....	28
Figure 24. Server Board System Fan Connector Locations.....	28
Figure 25. 2.5" Hard Drive Bay - 8 & 16 Drive Configuration	32
Figure 26. 2.5" Hard Drive Bay - 24 Drive Configuration	33
Figure 27. 3.5" Hard Drive Bay - 8 Drive Configuration	36
Figure 28. 3.5" Hard Drive Bay - 12 Drive Configuration	36
Figure 29. Optical Drive Support	39
Figure 30. 2.5" Internal Fixed Mount Solid State Drive (SSD) Mounting Option.....	40
Figure 31. Low Profile eUSB Placement	41
Figure 32. InnoDisk* Low Profile SATA DOM.....	41
Figure 33. mSATA Placement.....	42
Figure 34. Mounting feature for accessory kit AXXRBBU9.....	46
Figure 35. A2UBKTRMFBUSSD Bracket + AXXRMFBU2 Installation.....	46
Figure 36. 24 Port PCIe Intel® RAID Expander Card RES2SV240	47
Figure 37. Internal SAS Expander Installation	48
Figure 38. Internal 24-Port SAS Expander Card (RES2CV240)	48

Figure 39. 24-Port Expander SAS Connector/Drive Identification Block Diagram.....48

Figure 40. Internal 36-Port SAS Expander Card (RES2CV360)49

Figure 41. 36-Port Expander SAS Connector/Drive Identification Block Diagram.....49

Figure 42. Front I/O Panel Features.....51

Figure 43. Front Control Panel Features52

Figure 44. Intel® Local Control Panel Option55

Figure 45. Riser Slot Architecture – Intel® C600 Upgrade Key NOT Installed.....56

Figure 46. Riser Slot Architecture - Intel® C600 Upgrade Key Installed.....56

Figure 47. Intel® Server Board S2400BB PCI Bus Layout Diagram.....57

Figure 48. Full Height / Full Length Add-in Card Support58

Figure 49. Riser Card #1 Assembly Showing Mechanical Block.....58

Figure 50. Intel® RMM4 Dedicated Management NIC Installation.....63

Figure 51. Intel® RMM4 Lite Activation Key Installation63

Figure 52. POST Diagnostic LED Location65

List of Tables

Table 1. System Feature Set.....	3
Table 2. System Environmental Limits Summary	5
Table 3. Power Supply Module Output Power Connector Pin-out	15
Table 4. Riser Slot Power Pin-out ("OPT_12V_PWR_#").....	16
Table 5. Hot Swap Backplane Power Connector Pin-out ("HSBP PWR")	16
Table 6. Peripheral Drive Power Connector Pin-out ("ODD/SSD PWR")	17
Table 7. 460 Watt Power Supply Efficiency (Gold).....	17
Table 8. 750 Watt Power Supply Efficiency (Platinum).....	17
Table 9. AC Power Cord Specifications.....	17
Table 10. AC Input Voltage Range.....	18
Table 11. AC Line Sag Transient Performance	20
Table 12. AC Line Surge Transient Performance	20
Table 13. Performance Criteria	20
Table 14. 460 Watt Power Supply Over Current Protection.....	21
Table 15. 750 Watt Power Supply Over Current Protection.....	21
Table 16. Over Voltage Protection (OVP) Limits	21
Table 17. Example Load Share Threshold for Activating Supplies	22
Table 18. LED Indicators.....	23
Table 19. System Fan Connector Pin-out.....	29
Table 20. Drive Status LED States.....	33
Table 21. Drive Activity LED States.....	34
Table 22. Intel® RAID C600 Upgrade Key Options	43
Table 23. Supported Intel® Integrated RAID Modules.....	45
Table 24. System Status LED State Definitions.....	53
Table 25. Power/Sleep LED Functional States.....	54
Table 26. Enabling Advanced Management Features	63
Table 27. POST Progress Code LED Example	65
Table 28. Diagnostic LED POST Code Decoder	66
Table 29. MRC Progress Codes	68
Table 30. MRC Fatal Error Codes	69
Table 31. POST Error Messages and Handling.....	70
Table 32. POST Error Beep Codes	74
Table 33. Integrated BMC Beep Codes.....	74

< This page intentionally left blank. >

1. Introduction

This Technical Product Specification (TPS) provides system level information for the Intel® Server System R2000BB product family. It describes the functions and features of the integrated server system which includes the chassis layout, system boards, power sub-system, cooling sub-system, storage sub-system options, and available installable options. Server board specific detail can be obtained by referencing the *Intel® Server Board S2400BB Technical Product Specification*.

In addition, design-level information related to specific server board components / subsystems can be obtained by ordering External Product Specifications (EPS) or External Design Specifications (EDS) related to this server generation. EPS and EDS documents are made available under NDA with Intel and must be ordered through your local Intel representative.

1.1 Chapter Outline

This document is divided into the following chapters:

- Chapter 1 – Introduction
- Chapter 2 – Product Family Overview
- Chapter 3 – Power Subsystem
- Chapter 4 – Thermal Management
- Chapter 5 – Intel® Xeon Phi™ Coprocessor card and GPGPU add-in card support
- Chapter 6 – System Storage and Peripherals Drive Bay Overview
- Chapter 7 – Storage Controller Options Overview
- Chapter 8 – Front Control Panel and I/O Panel Overview
- Chapter 9 – Intel® Local Control Panel
- Chapter 10 – PCI Riser Card Support
- Chapter 11 – Mezzanine Module Support
- Appendix A – Integration and Usage Tips
- Appendix B – POST Code Diagnostic LED Decoder
- Appendix C – Post Code Errors
- Appendix D – System Configuration Table for Thermal Compatibility
- Glossary
- Reference Documents

1.2 Server Board Use Disclaimer

Intel Corporation server boards support add-in peripherals and contain a number of high-density VLSI and power delivery components that need adequate airflow to cool. Intel® ensures through its own chassis development and testing that when Intel® server building blocks are used together, the fully integrated system will meet the intended thermal requirements of these components. It is the responsibility of the system integrator who chooses not to use Intel®-developed server building blocks to consult vendor datasheets and operating parameters to determine the amount of airflow required for their specific application and environmental conditions. Intel Corporation cannot be held responsible if components fail or the server board does not operate correctly when used outside any of their published operating or non-operating limits.

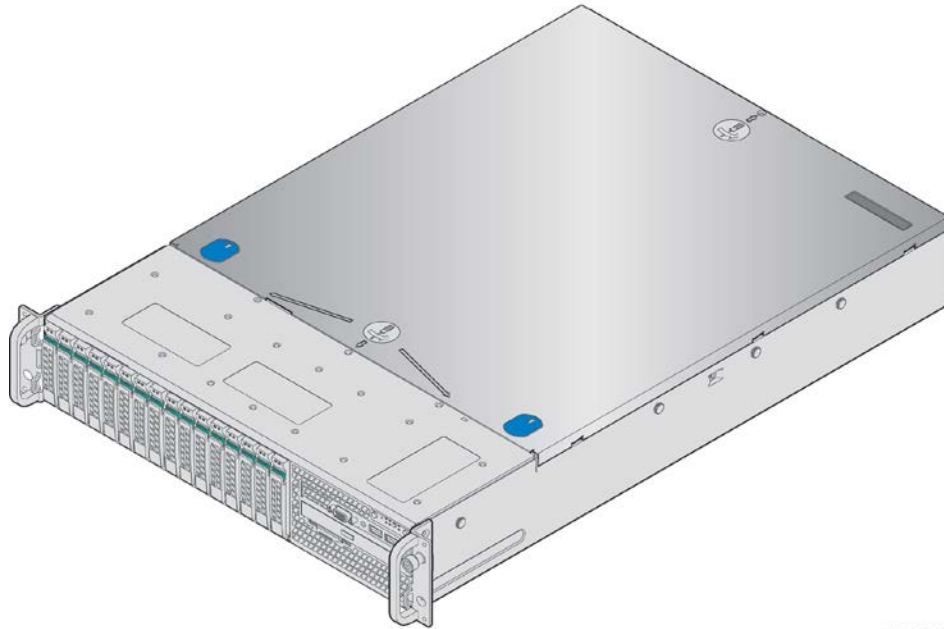
1.3 Product Errata

The products described in this document may contain design defects or errors known as errata which may cause the product to deviate from published specifications. Product Errata are documented in the *Intel® Server Board S2400BB, Intel® Server System R1000BB, Intel® Server System R2000BB Monthly Specification Update* which can be downloaded from <http://www.intel.com/support>.

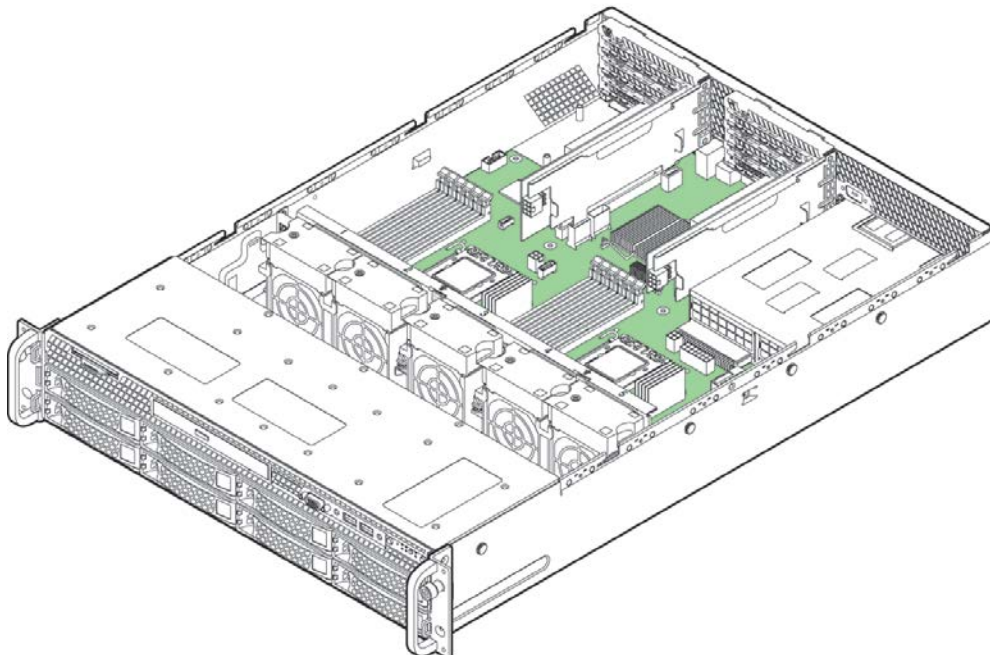
2. Product Family Overview

This generation of Intel 2U server platforms offers a variety of system options to meet the varied configuration requirements of high-density high-performance computing environments. The Intel® Server System R2000BB product family is comprised of several available 2U rack mount server systems that are all integrated with an Intel® Server Board S2400BB.

This chapter provides a high-level overview of the system features and available options as supported in different platform SKUs within this server family. Greater detail for each major system component or feature is provided in the following chapters.



AF005056



AF005158

Table 1. System Feature Set

Server System	Integrated Server Board
Intel® Server System R2000BB product family	Intel® Server Board S2400BB

Feature	Description
Processor Support	Support for one or two Intel® Xeon® processors E5-2400 product family <ul style="list-style-type: none"> Supported Thermal Design Power (TDP) of up to 95 Watts.
Memory	<ul style="list-style-type: none"> 12 DIMM slots – 2 DIMMs / Channel – 3 memory channels per processor Unbuffered DDR3 (UDIMM), registered DDR3 (RDIMM), and Load Reduced DDR3 (LRDIMM) Memory DDR3 data transfer rates of 800, 1066, 1333, and 1600 MT/s DDR3 standard I/O voltage of 1.5V and DDR3 Low Voltage of 1.35V
Chipset	Intel® C602 chipset with support for optional Intel® RAID C600 Upgrade keys
External I/O connections	<ul style="list-style-type: none"> Video - back (standard), front panel video connector available on Non-Storage SKUs RJ-45 Serial- A Port Four RJ-45 Network Interface Connectors supporting 10/100/1000Mb USB 2.0 connectors - 3 on back panel + 2 on standard (non-storage) front panel
Internal I/O connectors / headers	<ul style="list-style-type: none"> One Type-A USB 2.0 connector One DH-10 Serial-B port connector
I/O Module Accessory Options	<p>The following optional I/O modules utilize a single proprietary on-board connector. An installed I/O module can be supported in addition to standard on-board features and any add-in expansion cards.</p> <ul style="list-style-type: none"> Quad port 1 GbE based on Intel® Ethernet Controller I350 – AXX4P1GBPWLMIOM Dual RJ-45 port 10GBase-T I/O Module based on Intel® Ethernet Controller x540 – AXX10GBTWLIOM Dual SFP+ port 10GbE module based on Intel® 82599 10 GbE controller – AXX10GBNIAIOM Single Port FDR 56GT/S speed InfiniBand module with QSFP connector – AXX1FDRIBIOM Dual port FDR 56GT/S speed infiniband module with QSFP connector – AXX2FDRIBIOM
System Fans	<ul style="list-style-type: none"> Five managed system fans One managed power supply fan for each installed power supply module
Riser Cards	<p>Support for two riser cards.</p> <p>Riser Slot #1(PCIe x16) – Riser Card Options</p> <ul style="list-style-type: none"> One add-in card slot – PCIe x16 lanes, x16 slot Three add-in card slots – PCIe x8 lanes,x16 slot + two PCIe x4 lanes,x8 slot <p>Riser Slot#2 (PCIe x24)– Riser Card Options</p> <ul style="list-style-type: none"> Two add-in card slots – PCIe x16 lanes,x16 slot + PCIe x8 lanes, x8 slot Three add-in card slots – PCIe x8 lanes, x8 slot + two PCIe x8 lanes, x16 slot Three add-in card slots – PCIe x8 lanes, x8 slot + two PCIe x133Mhz
Video	<ul style="list-style-type: none"> Integrated 2D Video Controller 16 MB DDR3 Memory
On-board storage controllers and options	<ul style="list-style-type: none"> One eUSB 2x5 pin connector to support 2mm low-profile eUSB solid state devices One mSATA SSD connector One 7-pin single port AHCI SATA connector capable of supporting up to 6 Gb/sec Two SCU 4-port mini-SAS connectors capable of supporting up to 3 Gb/sec SAS/SATA Intel® RAID C600 Upgrade Key support providing optional expanded SATA / SAS RAID capabilities
Security	Intel® Trusted Platform Module (TPM) - AXXTPE5 – Accessory Option
Server Management	<ul style="list-style-type: none"> Integrated Baseboard Management Controller, IPMI 2.0 compliant Support for Intel® Server Management Software Intel® Remote Management Module 4 Lite - Accessory option Intel® Remote Management Module 4 Management NIC - Accessory option

<p>Power Supply Options</p>	<p>The server system can have up to two power supply modules installed, providing support for the following power configurations: 1+0, 1+1 Redundant Power, and 2+0 Combined Power.</p> <ul style="list-style-type: none"> • Three available power supply options: <ul style="list-style-type: none"> ○ AC 460W Gold ○ AC 750W Platinum
<p>Storage Bay Options</p>	<ul style="list-style-type: none"> • 8x – 3.5" SATA/SAS Hot Swap Hard Drive Bays + Optical Drive support • 12x – 3.5" SATA/SAS Hot Swap Hard Drive Bays • 8x – 2.5" SATA/SAS Hot Swap Hard Drive Bays + Optical Drive support • 16x – 2.5" SATA/SAS Hot Swap Hard Drive Bays + Optical Drive support • 24x – 2.5" SATA/SAS Hot Swap Hard Drive Bays • 1x – internal fixed mount SSD (standard feature on all SKUs)
<p>Supported Rack Mount Kit Accessory Options</p>	<ul style="list-style-type: none"> • Tool-less rack mount rail kit – Intel Product Code – AXXPRAIL • Value rack mount rail kit – Intel Product Code – AXXVRAIL • Cable Management Arm – Intel Product Code – AXX1U2UCMA (*supported with AXXPRAIL only) • 2-post fixed mount bracket kit – Intel Product Code – AXX2POSTBRCKT

2.1 Chassis Dimensions

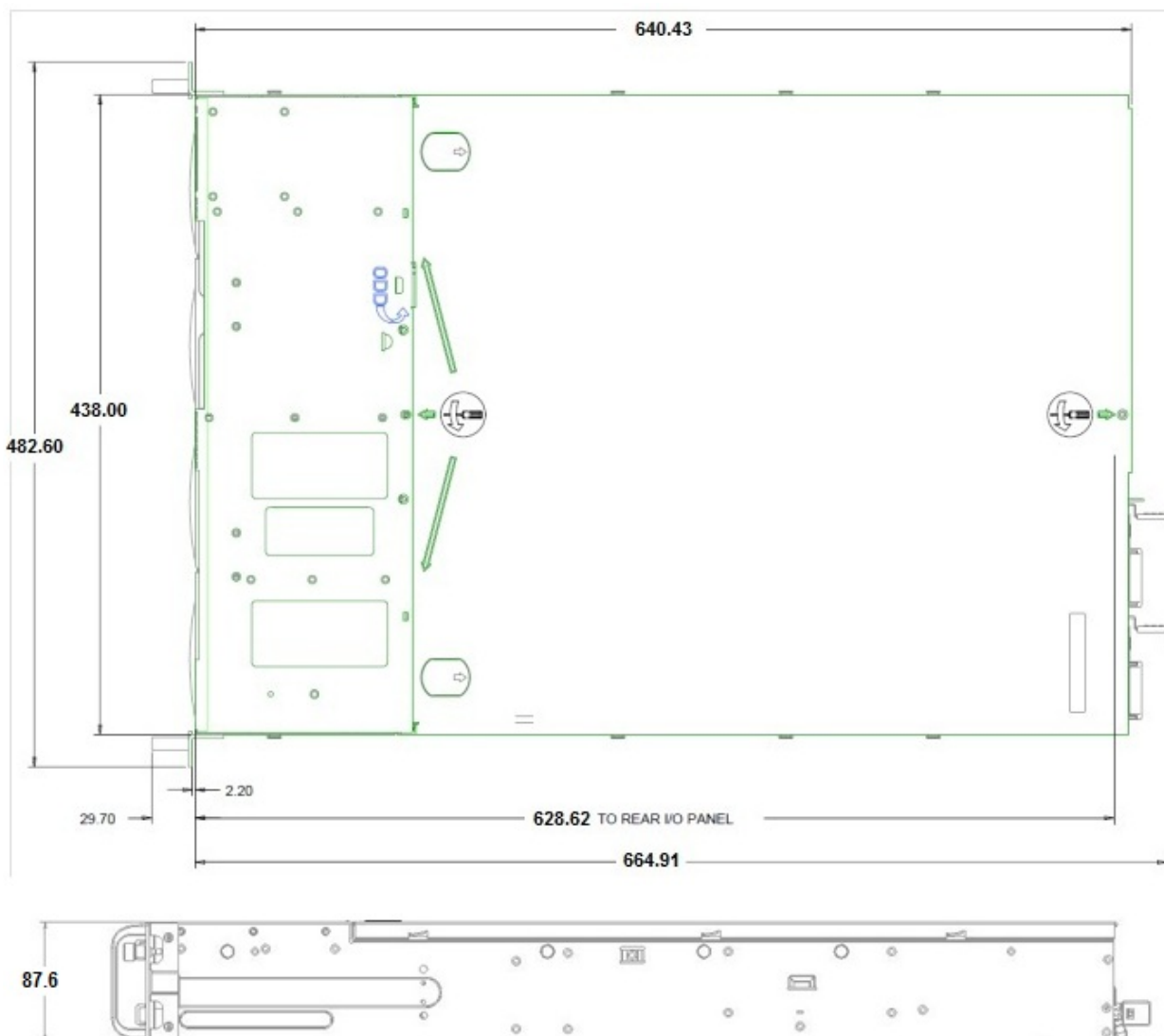


Figure 1. Chassis Dimensions

2.2 System Level Environmental Limits

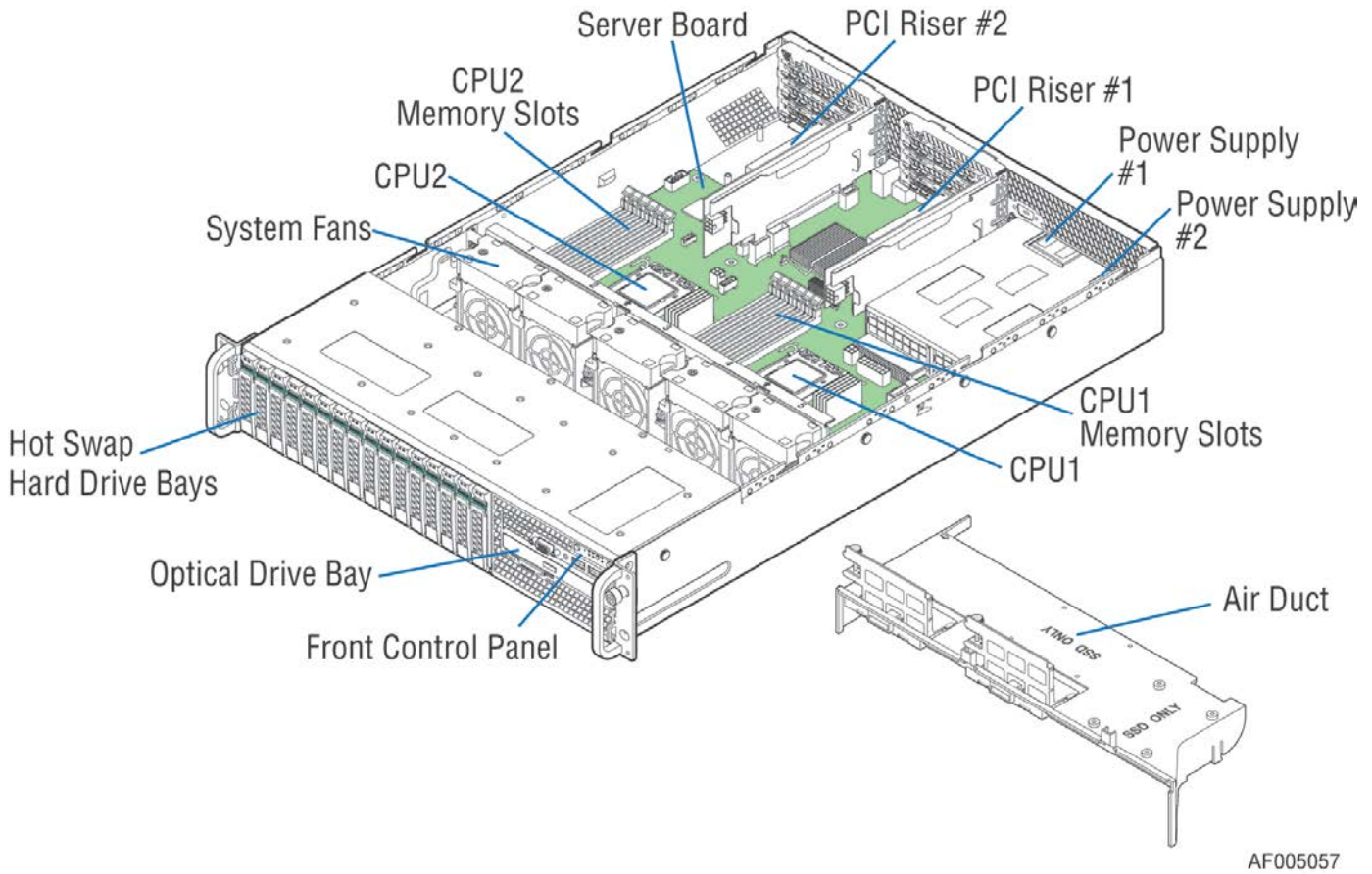
The following table defines the system level operating and non-operating environmental limits.

Table 2. System Environmental Limits Summary

Parameter		Limits
Temperature		
	Operating	ASHRAE Class A2 – Continuous Operation. 10° C to 35° C (50° F to 95° F) with the maximum rate of change not to exceed 10°C per hour
		ASHRAE Class A3 – Includes operation up to 40C for up to 900 hrs per year.
		ASHRAE Class A4 – Includes operation up to 45C for up to 90 hrs per year.
	Shipping	-40° C to 70° C (-40° F to 158° F)
Altitude		
	Operating	Support operation up to 3050m with ASHRAE class deratings.
Humidity		
	Shipping	50% to 90%, non-condensing with a maximum wet bulb of 28° C (at temperatures from 25° C to 35° C)
Shock		
	Operating	Half sine, 2g, 11 mSec
	Unpackaged	Trapezoidal, 25 g, velocity change is based on packaged weight
	Packaged	Product Weight: ≥ 40 to < 80 Non-palletized Free Fall Height = 18 inches Palletized (single product) Free Fall Height = NA
Vibration		
	Unpackaged	5 Hz to 500 Hz 2.20 g RMS random
	Packaged	5 Hz to 500 Hz 1.09 g RMS random
AC-DC		
	Voltage	90 Hz to 132 V and 180 V to 264 V
	Frequency	47 Hz to 63 Hz
	Source Interrupt	No loss of data for power line drop-out of 12 mSec
	Surge Non-operating and operating	Unidirectional
	Line to earth Only	AC Leads 2.0 kV I/O Leads 1.0 kV DC Leads 0.5 kV
ESD		
	Air Discharged	12.0 kV
	Contact Discharge	8.0 kV
Acoustics Sound Power Measured		
	Power in Watts	<300 W ≥300 W ≥600 W ≥1000 W
	Servers/Rack Mount BA	7.0 7.0 7.0 7.0

See Appendix D in this document or the *Intel® S2400BB Product Family Power Budget and Thermal Configuration Tool* for system configuration requirements and limitations.

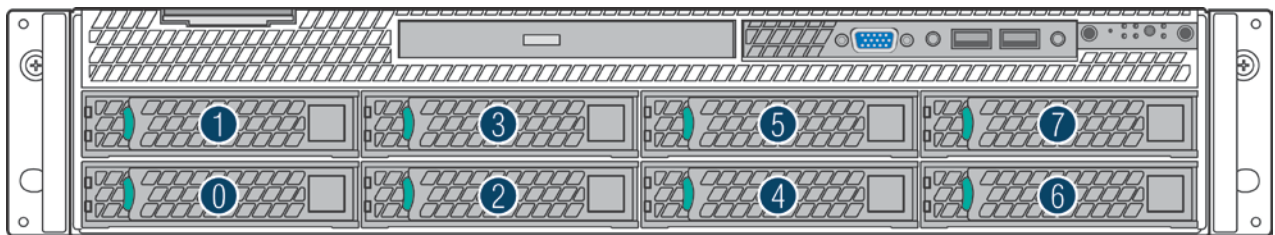
2.3 System Features and Options Overview



AF005057

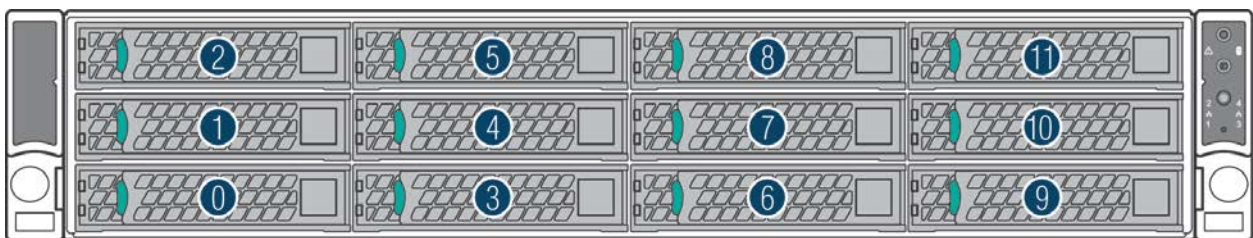
Figure 2. System Components Overview

2.3.1 Hot Swap Hard Drive Bay and Front Panel Options



AF004102

Figure 3. 3.5" Hard Drive Bay - 8 Drive Configuration



AF004103

Figure 4. 3.5" Hard Drive Bay - 12 Drive Configuration (Storage SKU)

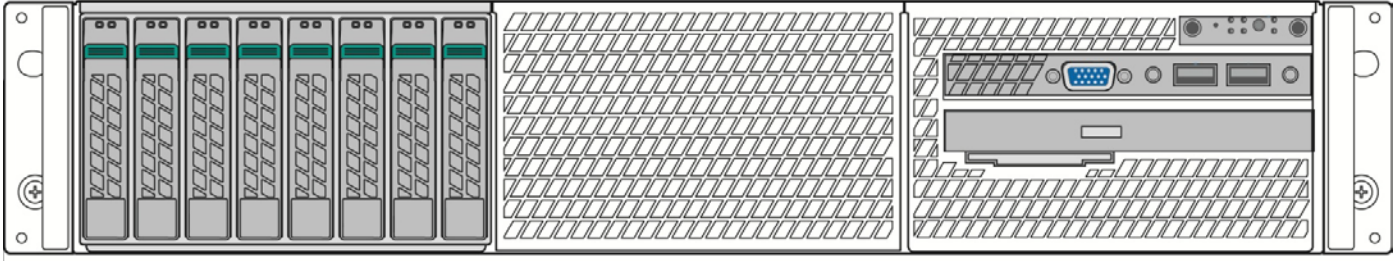


Figure 5. 2.5" Hard Drive Bay - 8 Drive Configuration

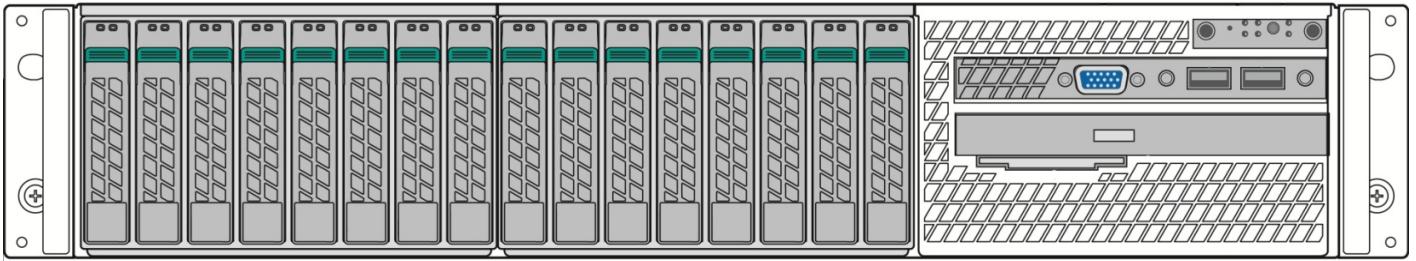
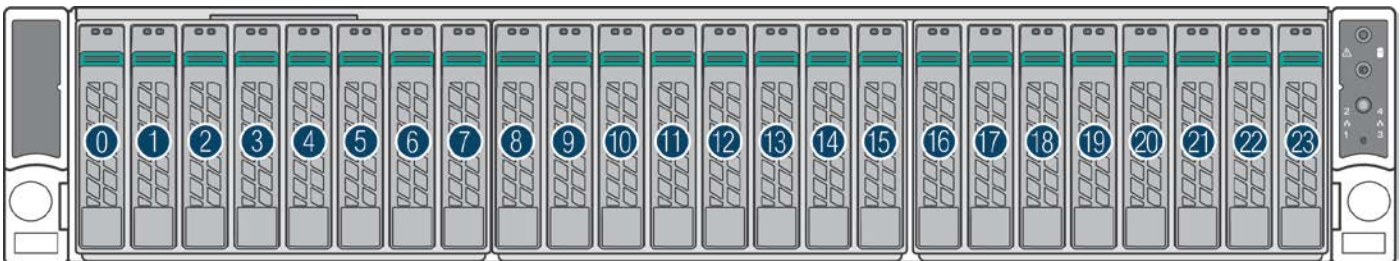


Figure 6. 2.5" Hard Drive Bay - 16 Drive Configuration



AF004064

Figure 7. 2.5" Hard Drive Bay - 24 Drive Configuration (Storage SKU)

2.3.2 Back Panel Features

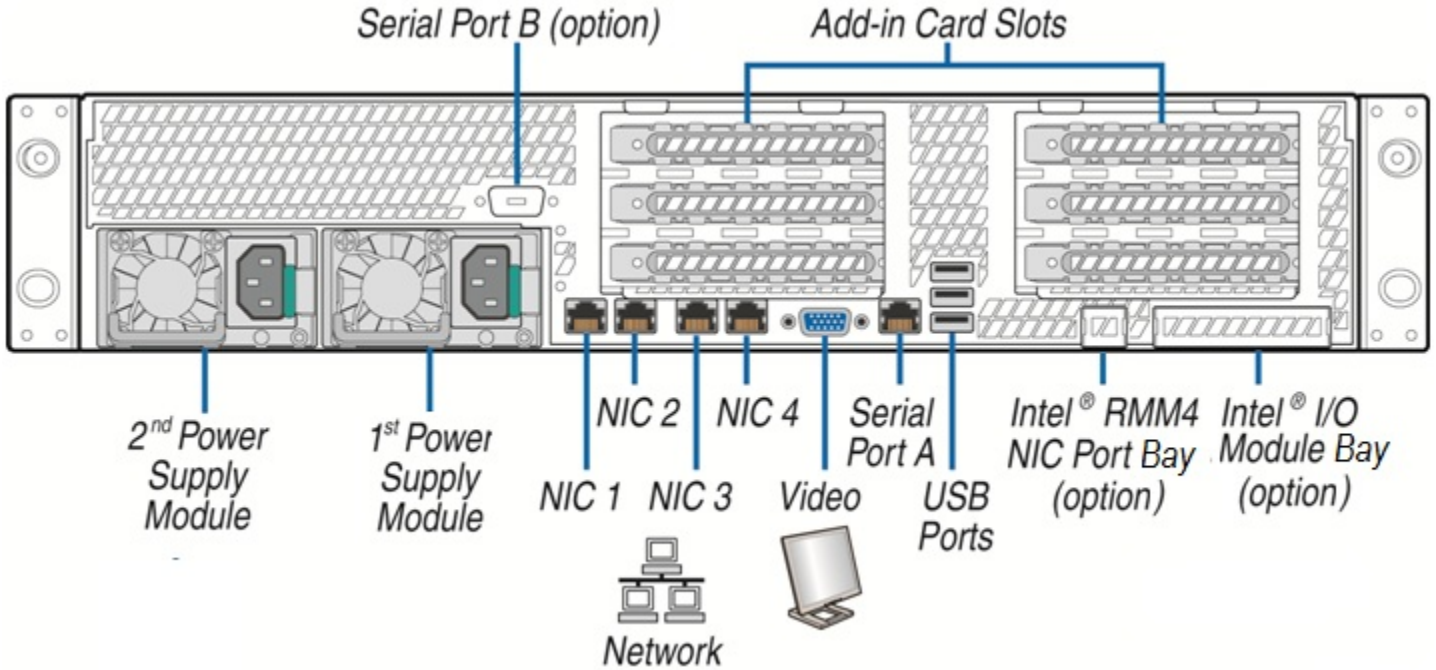
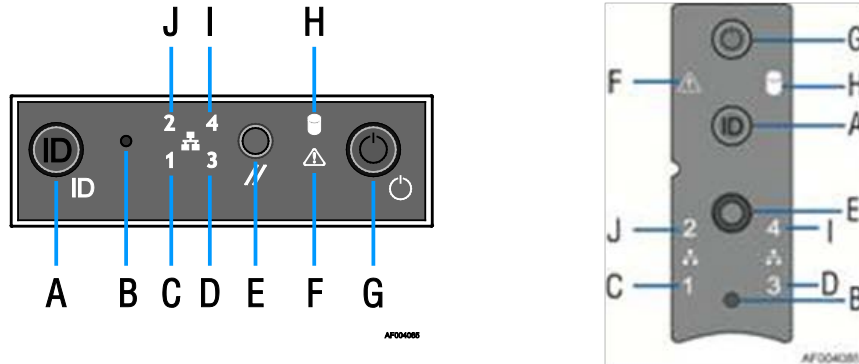


Figure 8. Back Panel Feature Identification

2.3.3 Front Control Panel Options



Label	Description	Label	Description
A	System ID Button w/Integrated LED	F	System Status LED
B	NMI Button (recessed, tool required for use)	G	Power Button w/Integrated LED
C	NIC-1 Activity LED	H	Hard Drive Activity LED
D	NIC-3 Activity LED	I	NIC-4 Activity LED
E	System Cold Reset Button	J	NIC-2 Activity LED

Figure 9. Front Control Panel Options

2.4 Server Board Features Overview

The following illustration provides a general overview of the server board, identifying key feature and component locations

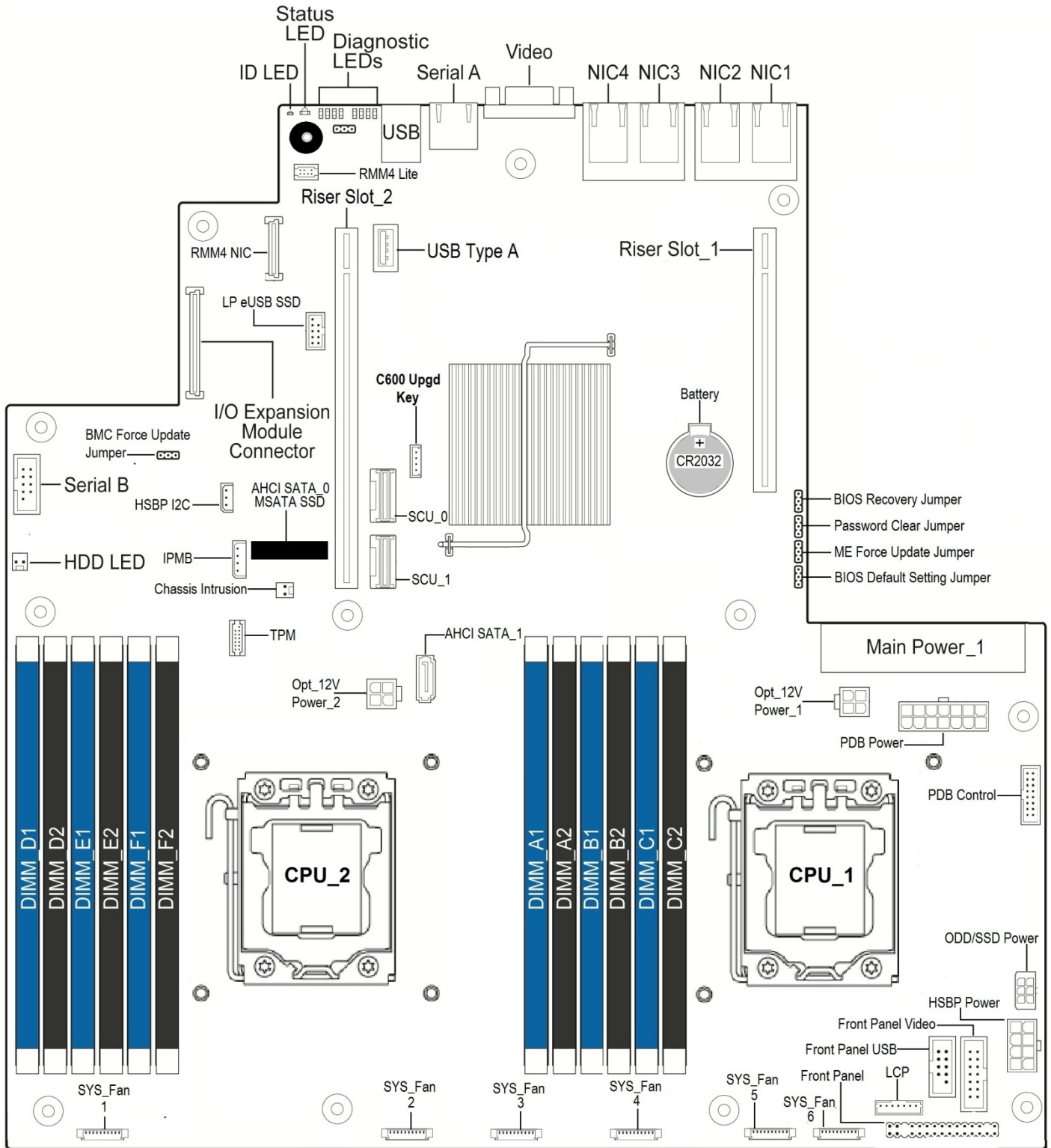


Figure 10. Intel® Server Board S2400BB

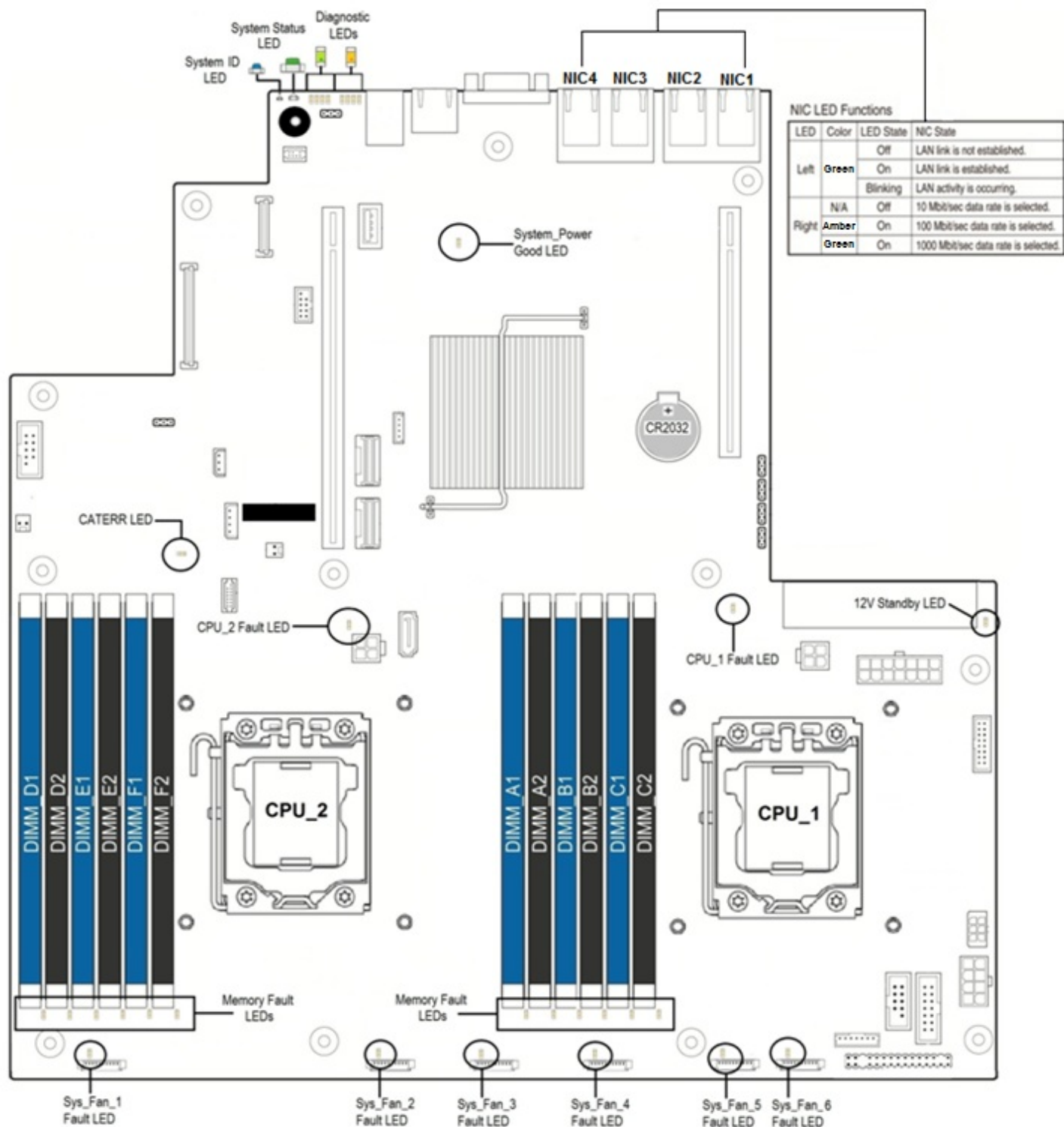
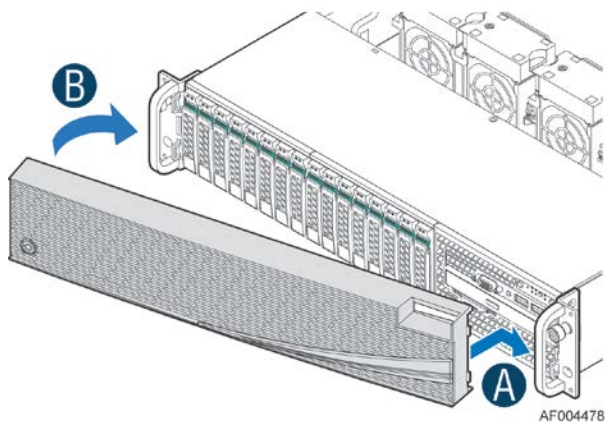


Figure 11. Intel® Light-Guided Diagnostic LEDs - Server Board

2.5 Available Front Bezel Support

The optional front bezel is made of molded plastic and uses a snap-on design. When installed, its design allows for maximum airflow to maintain system cooling requirements. The face of the bezel assembly includes snap-in identification badge options and a wave (shown) feature option to allow for customization.



(Intel Product Order Code – A2UBEZEL)

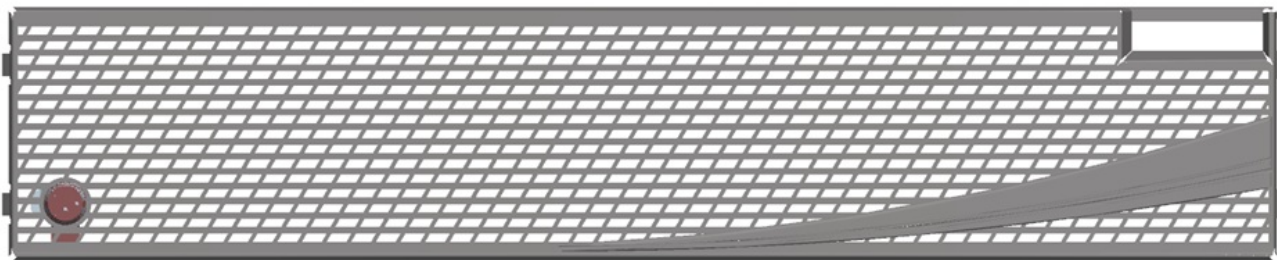


Figure 12. Front Bezel accessory with optionally installed wave feature

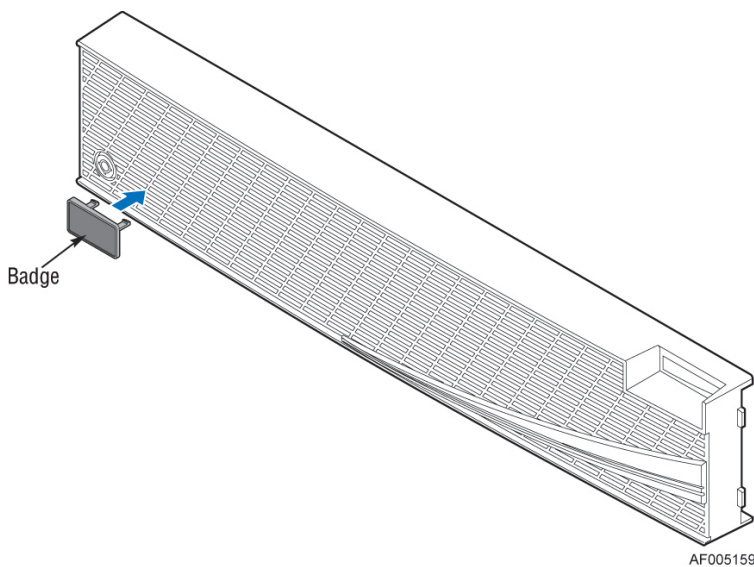


Figure 13. Front Bezel accessory with optionally installed ID Badge insert

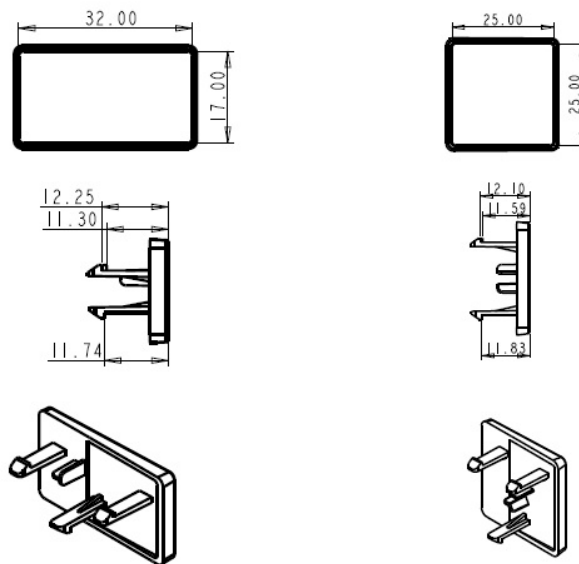


Figure 14. Front Bezel accessory ID Badge mechanical drawings

2.6 Available Rack and Cabinet Mounting Kit Options

Advisory Note – Available rack and cabinet mounting kits are not designed to support shipment of the server system while installed in a rack. If you chose to do so, Intel advises you verify your shipping configuration with appropriate shock and vibrate testing, before shipment. Intel does not perform shipping tests which cover the complex combination of unique rack offerings and custom packaging options.

Caution: Exceeding the specified maximum weight or misalignment of the server may result in failure of the rack rails, resulting in damage to the system or personal injury. The use of mechanical assists to install and align the server into the rack rails is highly recommended.

- Tool-less rack mount rail kit – Intel Product Code – **AXXPRAIL**
 - 1U and 2U compatible
 - 54 lbs (24 Kgs) max support weight
 - Tool-less installation
 - Full extension from rack
 - Drop in system install
 - Optional cable management arm support
- Value rack mount rail kit – Intel Product Code – **AXXVRAIL**
 - 1U to 4U compatible
 - 130 lbs (59 Kgs) max support weight
 - Tool-less chassis attach
 - Tools required to attach to rails to rack
 - 2/3 extension from rack
- Cable Management Arm – Intel Product Code – **AXX1U2UCMA** (*supported with AXXPRAIL only)
- 2-Post Fixed mount bracket kit – Intel Product Code - **AXX2POSTBRCKT**
 - 1U and 2U compatible
 - Tools required to attach components to rack

3. Power Subsystem

This chapter provides a high level overview of the power management features and specification data for the power supply options available for this server product. Specification variations will be identified for each supported power supply.

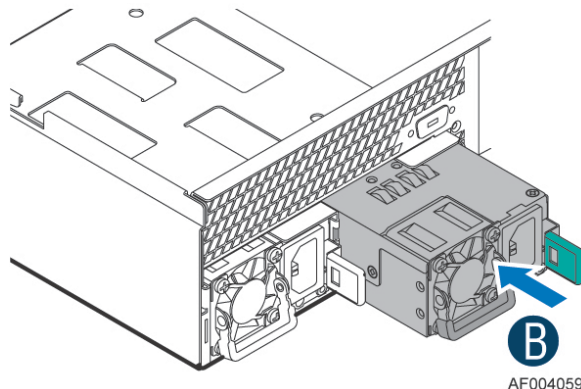
The server system can have up to two power supply modules installed, supporting the following power supply configurations: 1+0 (single power supply), 1+1 Redundant Power, and 2+0 Combined Power (non-redundant). 1+1 redundant power and 2+0 combined power configurations are automatically configured depending on the total power draw of the system. If the total system power draw exceeds the power capacity of a single power supply module, then power from the 2nd power supply module will be utilized. Should this occur, power redundancy is lost. In a 2+0 power configuration, total power available may be less than twice the rated power of the installed power supply modules due to the amount of heat produced with both supplies providing peak power. Should system thermals exceed programmed limits, platform management will attempt to keep the system operational. See *Closed Loop System Throttling (CLST)* later in this chapter, and Chapter 4 *Thermal Management*, for details.

There are three power supply options available for this server product: 460W AC and 750W AC.

Caution: Installing two Power Supply Units with different wattage ratings in a system is not supported. Doing so will not provide Power Supply Redundancy and will result in multiple errors being logged by the system.

The power supplies are modular, allowing for tool-less insertion and extraction from a bay in the back of the chassis. When inserted, the card edge connector of the power supply mates blindly to a matching slot connector on the server board (PS#1) or Power Distribution Board (PS#2)..

In the event of a power supply failure, redundant 1+1 power supply configurations have support for hot-swap extraction and insertion.



The AC input is auto-ranging and power factor corrected.

3.1 Mechanical Overview

The physical size of the power supply enclosure is 39/40mm x 74mm x 185mm. The power supply contains a single managed 40mm fan. The power supply has a card edge output that interfaces with a 2x25 card edge connector in the system. The AC plugs directly into the external face of the power supply

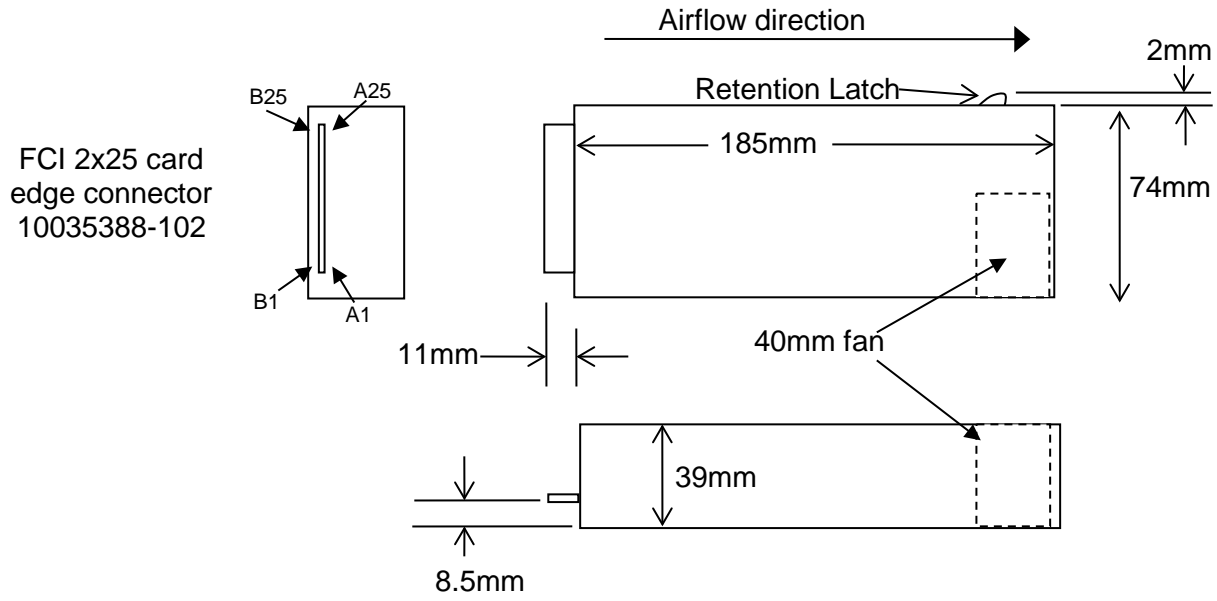


Figure 15. Power Supply Module Mechanical Drawing

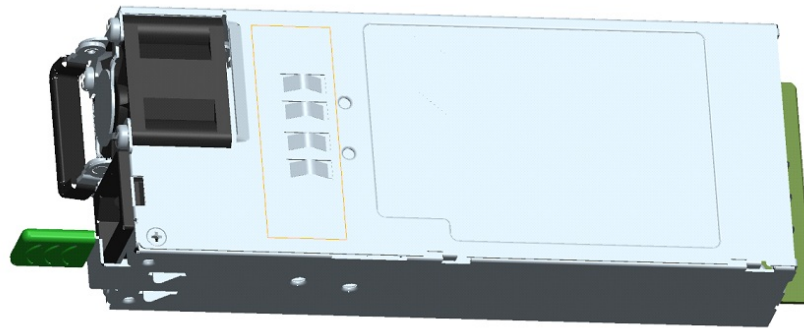


Figure 16. Power Supply Module

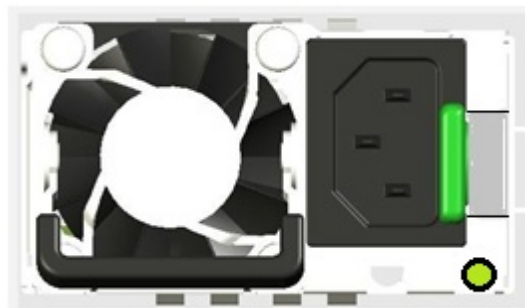


Figure 17. AC Power Supply - Connector View

3.2 Main Power Inter-Connect Layout

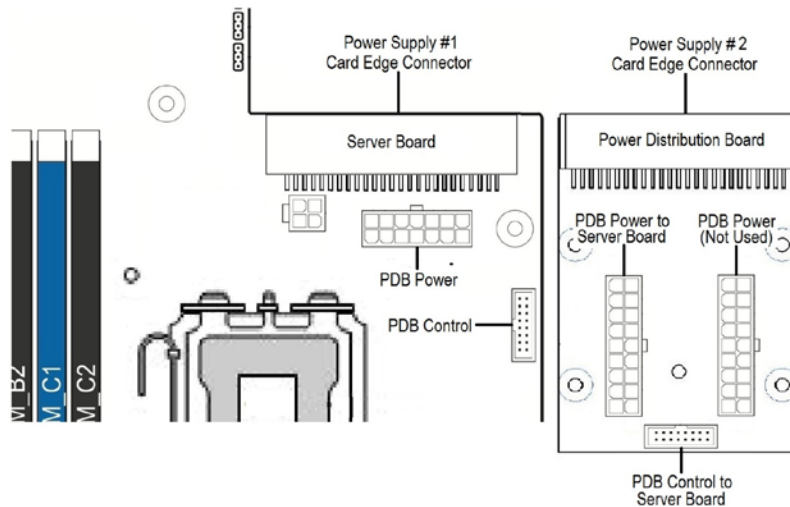


Figure 18. Main Power Connector Identification

3.3 Power Connectors

3.3.1 Power Supply Module Card Edge Connector

Each power supply module has a single 2x25 card edge output connection that plugs directly into a matching slot connector on the server board. The connector provides both power and communication signals to the server board. The following table defines the connector pin-out.

Table 3. Power Supply Module Output Power Connector Pin-out

Pin	Name	Pin	Name
A1	GND	B1	GND
A2	GND	B2	GND
A3	GND	B3	GND
A4	GND	B4	GND
A5	GND	B5	GND
A6	GND	B6	GND
A7	GND	B7	GND
A8	GND	B8	GND
A9	GND	B9	GND
A10	+12V	B10	+12V
A11	+12V	B11	+12V
A12	+12V	B12	+12V
A13	+12V	B13	+12V
A14	+12V	B14	+12V
A15	+12V	B15	+12V
A16	+12V	B16	+12V
A17	+12V	B17	+12V
A18	+12V	B18	+12V
A19	PMBus SDA	B19	A0 (SMBus address)
A20	PMBus SCL	B20	A1 (SMBus address)
A21	PSON	B21	12V stby
A22	SMBAlert#	B22	Cold Redundancy Bus
A23	Return Sense	B23	12V load share bus
A24	+12V remote Sense	B24	No Connect
A25	PWOK	B25	Compatibility Check pin*

The server board provides several connectors to provide power to various system options. The following sub-sections will identify the location; provide the pin-out definition; and provide a brief usage description for each.

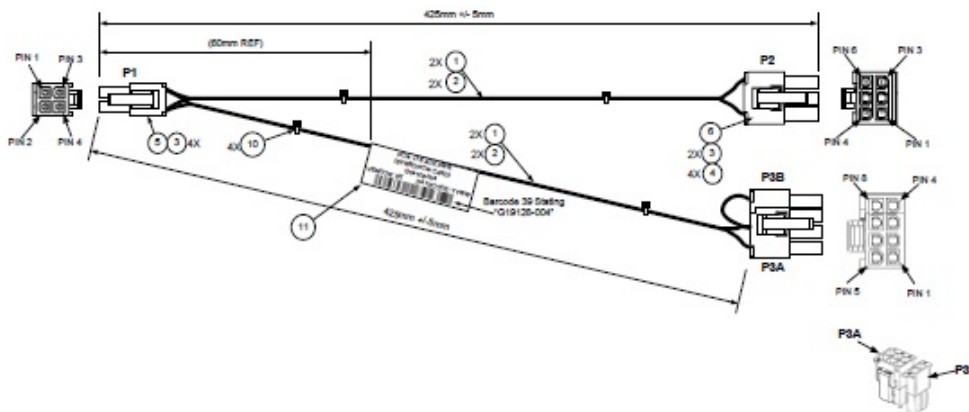
3.3.2 Riser Card Power Connectors

The server board includes two white 2x2-pin power connectors that provide supplemental power to high power PCIe x16 add-in cards that have power requirements that exceed the 75W maximum power supplied by the PCIe x16 riser slot. A cable from this connector may be routed to a power connector on the given add-in card. Maximum power draw for each connector is 225W, but is also limited by available power provided by the power supply and the total power draw of the rest of the system. A power budget for the complete system should be performed to determine how much supplemental power is available to support any high power add-in cards.

Each connector is labeled as “OPT_12V_PWR_1” and “OPT_12V_PWR_2” on the server board. The following table provides the pin-out for both connectors.

Table 4. Riser Slot Power Pin-out (“OPT_12V_PWR_#”)

Signal Description	Pin#	Pin#	Signal Description
P12V	3	1	GROUND
P12V	4	2	GROUND



The power cable (as shown above) for the OPT_12V_PWR_# connector is included in the following Riser Card accessory kit options: Riser Slot #1 - AXX2UPCIEX16 and Riser Slot #2 - A2UL16RISER. The cable can support both 6 and 8 pin 12V AUX power connectors located on the add-in cards.

3.3.3 Hot Swap Backplane Power Connector

The server board includes one white 2x4-pin power connector designated as the power source for any installed hot swap backplanes. On the server board, this connector is labeled as “HSBP PWR”. The following table provides the pin-out for this connector.

Table 5. Hot Swap Backplane Power Connector Pin-out (“HSBP PWR”)

Signal Description	Pin#	Pin#	Signal Description
P12V_240VA	5	1	GROUND
P12V_240VA	6	2	GROUND
P12V_240VA	7	3	GROUND
P12V_240VA	8	4	GROUND

3.3.4 Optical Drive and SSD Power Connector

The server board includes one brown 2x3-pin power connector intended to provide power to an optionally installed optical drive and up to two Solid State Devices (SSDs). On the server board this connector is labeled as “ODD/SSD PWR”. The following table provides the pin-out for this connector.

Table 6. Peripheral Drive Power Connector Pin-out (“ODD/SSD PWR”)

Signal Description	Pin#	Pin#	Signal Description
P12V	4	1	P5V
P3V3	5	2	P5V
GROUND	6	3	GROUND

3.4 Power Supply Module Efficiency

The following tables provide the required minimum efficiency level at various loading conditions. These are provided at three different load levels: 100%, 50% and 20%. Efficiency is tested over an AC input voltage range of 115 VAC to 220 VAC.

Table 7. 460 Watt Power Supply Efficiency (Gold)

Loading	100% of maximum	50% of maximum	20% of maximum	10% of maximum
Minimum Efficiency	88%	92%	88%	80%

Table 8. 750 Watt Power Supply Efficiency (Platinum)

Loading	100% of maximum	50% of maximum	20% of maximum	10% of maximum
Minimum Efficiency	91%	94%	90%	82%

3.5 Power Cord Specification Requirements

Power cords used must meet the specification requirements listed in the following table.

Table 9. AC Power Cord Specifications

Cable Type	SJT
Wire Size	16 AWG
Temperature Rating	105°C
Amperage Rating	13 A
Voltage Rating	125 V

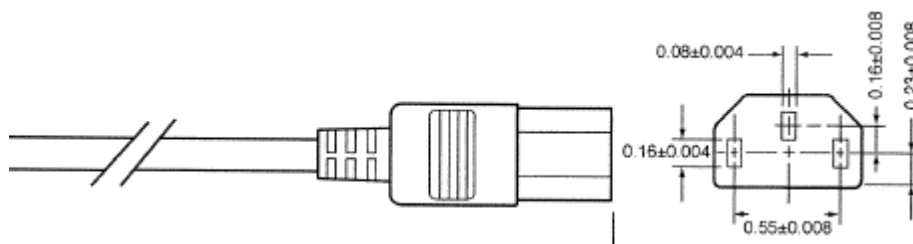


Figure 19. AC Power Cord

3.6 Optional Chassis Grounding Support

The system provides 10-32 threaded grounding studs on the back panel of the chassis, allowing for optional system grounding via a grounding strap.

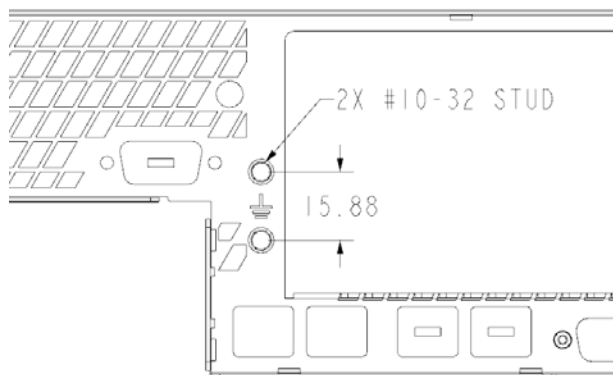


Figure 20. Chassis Grounding Studs

3.7 AC Input Requirement

3.7.1 Power Factor

The power supply must meet the power factor requirements stated in the Energy Star® Program Requirements for Computer Servers. These requirements are stated below.

Output power	10% load	20% load	50% load	100% load
Power factor	> 0.65	> 0.80	> 0.90	> 0.95

Tested at 230Vac, 50Hz and 60Hz and 115VAC, 60Hz

3.7.2 AC Input Voltage Specification

The power supply must operate within all specified limits over the following input voltage range. Harmonic distortion of up to 10% of the rated line voltage must not cause the power supply to go out of specified limits. Application of an input voltage below 85VAC shall not cause damage to the power supply, including a blown fuse.

Table 10. AC Input Voltage Range

PARAMETER	MIN	RATED	VMAX	Start up VAC	Power Off VAC
Voltage (110)	90 Vrms	100-127 Vrms	140 Vrms	85VAC +/- 4VAC	70VAC +/- 5VAC
Voltage (220)	180 Vrms	200-240 Vrms	264 Vrms		
Frequency	47 Hz	50/60	63 Hz		

1. Maximum input current at low input voltage range shall be measured at 90VAC, at max load.
2. Maximum input current at high input voltage range shall be measured at 180VAC, at max load.
3. This requirement is not to be used for determining agency input current markings.

3.7.3 AC Line Isolation Requirements

The power supply shall meet all safety agency requirements for dielectric strength. Transformers' isolation between primary and secondary windings must comply with the 3000Vac (4242Vdc) dielectric strength criteria. If the working voltage between primary and secondary dictates a higher dielectric strength test voltage the highest test voltage should be used. In addition the insulation system must comply with reinforced insulation per safety standard IEC 950. Separation between the primary and secondary circuits, and primary to ground circuits, must comply with the IEC 950 spacing requirements.

3.7.4 AC Line Dropout / Holdup

An AC line dropout is defined to be when the AC input drops to 0VAC at any phase of the AC line for any length of time. During an AC dropout the power supply must meet dynamic voltage regulation requirements. An AC line dropout of any duration shall not cause tripping of control signals or protection circuits. If the AC dropout lasts longer than the hold up time, the power supply should recover and meet all turn on requirements. The power supply shall meet the AC dropout requirement over rated AC voltages and frequencies. A dropout of the AC line for any duration shall not cause damage to the power supply.

Loading	Holdup time
70%	12msec

3.7.4.1 AC Line 12VSB Holdup

The 12VSB output voltage should stay in regulation under its full load (static or dynamic) during an AC dropout of **70ms min** (=12VSB holdup time) whether the power supply is in ON or OFF state (PSON asserted or de-asserted).

3.7.5 AC Line Fuse

The power supply shall have one line fused in the **single line fuse** on the line (Hot) wire of the AC input. The line fusing shall be acceptable for all safety agency requirements. The input fuse shall be a slow blow type. AC inrush current shall not cause the AC line fuse to blow under any conditions. All protection circuits in the power supply shall not cause the AC fuse to blow unless a component in the power supply has failed. This includes DC output load short conditions.

3.7.6 AC Inrush

AC line inrush current shall not exceed **55A peak**, for up to one-quarter of the AC cycle, after which, the input current should be no more than the specified maximum input current. The peak inrush current shall be less than the ratings of its critical components (including input fuse, bulk rectifiers, and surge limiting device).

The power supply must meet the inrush requirements for any rated AC voltage, during turn on at any phase of AC voltage, during a single cycle AC dropout condition as well as upon recovery after AC dropout of any duration, and over the specified temperature range (T_{op}).

3.7.7 AC Line Transient Specification

AC line transient conditions shall be defined as “sag” and “surge” conditions. “Sag” conditions are also commonly referred to as “brownout”, these conditions will be defined as the AC line voltage dropping below nominal voltage conditions. “Surge” will be defined to refer to conditions when the AC line voltage rises above nominal voltage.

The power supply shall meet the requirements under the following AC line sag and surge conditions.

Table 11. AC Line Sag Transient Performance

AC Line Sag (10sec interval between each sagging)				
Duration	Sag	Operating AC Voltage	Line Frequency	Performance Criteria
0 to 1/2 AC cycle	95%	Nominal AC Voltage ranges	50/60Hz	No loss of function or performance
> 1 AC cycle	>30%	Nominal AC Voltage ranges	50/60Hz	Loss of function acceptable, self recoverable

Table 12. AC Line Surge Transient Performance

AC Line Surge				
Duration	Surge	Operating AC Voltage	Line Frequency	Performance Criteria
Continuous	10%	Nominal AC Voltages	50/60Hz	No loss of function or performance
0 to 1/2 AC cycle	30%	Mid-point of nominal AC Voltages	50/60Hz	No loss of function or performance

3.7.8 Susceptibility Requirements

The power supply shall meet the following electrical immunity requirements when connected to a cage with an external EMI filter which meets the criteria defined in the SSI document EPS Power Supply Specification. For further information on Intel standards please request a copy of the Intel Environmental Standards Handbook

Table 13. Performance Criteria

Level	Description
A	The apparatus shall continue to operate as intended. No degradation of performance.
B	The apparatus shall continue to operate as intended. No degradation of performance beyond spec limits.
C	Temporary loss of function is allowed provided the function is self-recoverable or can be restored by the operation of the controls.

3.7.9 Electrostatic Discharge Susceptibility

The power supply shall comply with the limits defined in EN 55024: 1998/A1: 2001/A2: 2003 using the IEC 61000-4-2: Edition 1.2: 2001-04 test standard and performance criteria B defined in Annex B of CISPR 24.

3.7.10 Fast Transient/Burst

The power supply shall comply with the limits defined in EN55024: 1998/A1: 2001/A2: 2003 using the IEC 61000-4-4: Second edition: 2004-07 test standard and performance criteria B defined in Annex B of CISPR 24.

3.7.11 Radiated Immunity

The power supply shall comply with the limits defined in EN55024: 1998/A1: 2001/A2: 2003 using the IEC 61000-4-3: Edition 2.1: 2002-09 test standard and performance criteria A defined in Annex B of CISPR 24.

3.7.12 Surge Immunity

The power supply shall be tested with the system for immunity to AC Unidirectional wave; 2kV line to ground and 1kV line to line, per EN 55024: 1998/A1: 2001/A2: 2003, EN 61000-4-5: Edition 1.1:2001-04 .

The pass criteria include: No unsafe operation is allowed under any condition; all power supply output voltage levels to stay within proper spec levels; No change in operating state or loss of data during and after the test profile; No component damage under any condition.

The power supply shall comply with the limits defined in EN55024: 1998/A1: 2001/A2: 2003 using the IEC 61000-4-5: Edition 1.1:2001-04 test standard and performance criteria B defined in Annex B of CISPR 24.

3.7.13 Power Recovery

The power supply shall recover automatically after an AC power failure. AC power failure is defined to be any loss of AC power that exceeds the dropout criteria.

3.7.14 Voltage Interruptions

The power supply shall comply with the limits defined in EN55024: 1998/A1: 2001/A2: 2003 using the IEC 61000-4-11: Second Edition: 2004-03 test standard and performance criteria C defined in Annex B of CISPR 24.

3.7.15 Protection Circuits

Protection circuits inside the power supply cause only the power supply's main outputs to shut down. If the power supply latches off due to a protection circuit tripping, an AC cycle OFF for 15 seconds and a PSON[#] cycle HIGH for one second reset the power supply.

3.7.16 Over-current Protection (OCP)

The power supply shall have current limit to prevent the outputs from exceeding the values shown in table below. If the current limits are exceeded the power supply shall shutdown and latch off. The latch will be cleared by toggling the PSON[#] signal or by an AC power interruption. The power supply shall not be damaged from repeated power cycling in this condition. 12VSB will be auto-recovered after removing OCP limit.

Table 14. 460 Watt Power Supply Over Current Protection

Output Voltage	Input voltage range	Over Current Limits
+12V	90 – 264VAC	47A min; 55A max
12VSB	90 – 264VAC	2A min; 2.5A max

Table 15. 750 Watt Power Supply Over Current Protection

Output Voltage	Input voltage range	Over Current Limits
+12V	90 – 264VAC	72A min; 78A max
12VSB	90 – 264VAC	2.5A min; 3.5A max

3.7.17 Over-voltage Protection (OVP)

The power supply over voltage protection shall be locally sensed. The power supply shall shutdown and latch off after an over voltage condition occurs. This latch shall be cleared by toggling the PSON[#] signal or by an AC power interruption. The values are measured at the output of the power supply's connectors. The voltage shall never exceed the maximum levels when measured at the power connectors of the power supply connector during any single point of fail. The voltage shall never trip any lower than the minimum levels when measured at the power connector. 12VSB will be auto-recovered after removing OVP limit.

Table 16. Over Voltage Protection (OVP) Limits

Output Voltage	MIN (V)	MAX (V)
+12V	13.3	14.5
+12VSB	13.3	14.5

3.7.18 Over-temperature Protection (OTP)

The power supply will be protected against over temperature conditions caused by loss of fan cooling or excessive ambient temperature. In an OTP condition the PSU will shutdown. When the power supply temperature drops to within specified limits, the power supply shall restore power automatically, while the 12VSB remains always on. The OTP circuit must have built in margin such that the power supply will not

oscillate on and off due to temperature recovering condition. The OTP trip level shall have a minimum of 4°C of ambient temperature margin.

3.8 Cold Redundancy Support

Power supplies that support cold redundancy can be enabled to go into a low-power state (that is, cold redundant state) in order to provide increased power usage efficiency when system loads are such that both power supplies are not needed. When the power subsystem is in Cold Redundant mode, only the needed power supply to support the best power delivery efficiency is ON. Any additional power supplies; including the redundant power supply, is in Cold Standby state

Each power supply has an additional signal that is dedicated to supporting Cold Redundancy; CR_BUS. This signal is a common bus between all power supplies in the system. CR_BUS is asserted when there is a fault in any power supply OR the power supplies output voltage falls below the V_{fault} threshold. Asserting the CR_BUS signal causes all power supplies in Cold Standby state to power ON.

Enabling power supplies to maintain best efficiency is achieved by looking at the Load Share bus voltage and comparing it to a programmed voltage level via a PMBus command.

Whenever there is no active power supply on the Cold Redundancy bus driving a HIGH level on the bus, all power supplies are ON no matter their defined Cold Redundant roll (active or Cold Standby). This guarantees that incorrect programming of the Cold Redundancy states of the power supply will never cause the power subsystem to shut down or become over loaded. The default state of the power subsystem is all power supplies ON. There needs to be at least one power supply in Cold Redundant Active state or Standard Redundant state to allow the Cold Standby state power supplies to go into Cold Standby state.

3.8.1 Powering on Cold Standby supplies to maintain best efficiency

Power supplies in Cold Standby state shall monitor the shared voltage level of the load share signal to sense when it needs to power on. Depending upon which position (1, 2, or 3) the system defines that power supply to be in the cold standby configuration; will slightly change the load share threshold that the power supply shall power on at.

Table 17. Example Load Share Threshold for Activating Supplies

	Enable Threshold for V _{CR_ON_EN}	Disable Threshold for V _{CR_ON_DIS}	CR_BUS De-asserted / Asserted States
Standard Redundancy	NA; Ignore dc/dc_ active# signal; power supply is always ON		OK = High Fault = Low
Cold Redundant Active	NA; Ignore dc/dc_ active# signal; power supply is always ON		OK = High Fault = Low
Cold Standby 1 (02h)	3.2V (40% of max)	$3.2V \times 0.5 \times 0.9 = 1.44V$	OK = Open Fault = Low
Cold Standby 2 (03h)	5.0V (62% of max)	$5.0V \times 0.67 \times 0.9 = 3.01V$	OK = Open Fault = Low
Cold Standby 3 (04h)	6.7V (84% of max)	$6.7V \times 0.75 \times 0.9 = 4.52V$	OK = Open Fault = Low

Notes:

Maximum load share voltage = 8.0V at 100% of rated output power

These are example load share bus thresholds; for a given power supply, these shall be customized to maintain the best efficiency curve for that specific model.

3.8.2 Powering on Cold Standby supplies during a fault or over current condition

When an active power supply asserts its CR_BUS signal (pulling it low), all parallel power supplies in cold standby mode shall power on within 100µsec

3.8.3 BMC Requirements

The BMC uses the Cold_Redundancy_Config command to define/configure the power supply's roll in cold redundancy and to turn on/off cold redundancy.

The BMC shall schedule a rolling change for which PSU is the Active, Cold Stby1, Cold Stby 2, and Cold Stby 3 power supply. This allows for equal loading across power supply over their life.

Events that trigger a re-configuration of the power supplies using the Cold_Redundancy_Config command.

- o AC power ON
- o PSON power ON
- o Power Supply Failure
- o Power supply inserted into system

3.8.4 Power Supply Turn On Function

Powering on and off of the cold standby power supplies is only controlled by each PSU sensing the Vshare bus. Once a power supply turns on after crossing the enable threshold; it lowers its threshold to the disable threshold. The system defines the 'position' of each power supply in the Cold Redundant operation. It will do this each time the system is powered on, a power supply fails, or a power supply is added to the system.

The system is relied upon to tell each power supply where it resides in the Cold Redundancy scheme.

3.9 Closed Loop System Throttling (CLST)

The server system has support for Closed Loop System Throttling (CLST). This feature prevents the system from crashing if a power supply module is overloaded. Should system power reach a pre-programmed power limit, CLST will throttle system memory and/or processors to reduce power. System performance will be impacted should this occur. For more in depth information about CLST implementation, please refer to the *SmaRT & CLST Architecture on "Romley" Systems and Power Supplies Specification* (IBL Reference # 461024).

3.10 Smart Ride Through Throttling (SmaRT)

The server system has support for Smart Ride Through Throttling (SmaRT). This feature increases the reliability for a system operating in a heavy power load condition, to remain operational during an AC line dropout event. See section 3.5.4 *AC Line Dropout / Holdup* for power supply hold up time requirements for AC Line dropout events.

When AC voltage is too low, a fast AC loss detection circuit inside each installed power supply asserts an SMBALERT# signal to initiate a throttle condition in the system. System throttling reduces the bandwidth to both system memory and CPUs, which in turn reduces the power load during the AC line drop out event.

3.11 Power Supply Status LED

There is a single bi-color LED to indicate power supply status. The LED operation is defined in the following table.

Table 18. LED Indicators

Power Supply Condition	LED State
Output ON and OK	GREEN
No AC power to all power supplies	OFF
AC present / Only 12VSB on (PS off) or PS in Cold redundant state	1Hz Blink GREEN
AC cord unplugged or AC power lost; with a second power supply in parallel still with AC input power.	AMBER
Power supply warning events where the power supply continues to operate; high temp, high power, high current, slow fan.	1Hz Blink Amber
Power supply critical event causing a shutdown; failure, OCP, OVP, Fan Fail	AMBER
Power supply FW updating	2Hz Blink GREEN

4. Thermal Management

The fully integrated system is designed to operate at external ambient temperatures of between 10°C- 35°C with limited excursion based operation up to 45°C, as specified in *Table 2. System Environmental Limits Summary*. Working with integrated platform management, several features within the system are designed to move air in a front to back direction, through the system and over critical components to prevent them from overheating and allow the system to operate with best performance.

The Intel® Server System R2000BB product family supports short-term, excursion-based, operation up to 45°C (ASHRAE A4) with limited performance impact. The configuration requirements and limitations are described in the configuration matrix found in Appendix D of this document and in the *Intel® S2400B Product Family Power Budget and Thermal Configuration Tool*, available as a download online at <http://www.intel.com/support>.

The installation and functionality of several system components are used to maintain system thermals. They include five managed 60mm system fans, one integrated 40mm fan for each installed power supply module, an air duct, populated hard drive carriers, and installed CPU heats sinks. Hard drive carriers can be populated with a hard drive or supplied drive blank. In addition, it may be necessary to have specific DIMM slots populated with DIMMs or factory installed DIMM blanks.

4.1 Thermal Operation and Configuration Requirements

To keep the system operating within supported maximum thermal limits, the system must meet the following operating and configuration guidelines:

- The system operating ambient is designed for sustained operation up to 35°C (ASHRAE Class A2) with short term excursion based operation up to 45°C (ASHRAE Class A4).
 - The system can operate up to 40°C (ASHRAE Class A3) for up to 900 hours per year
 - The system can operate up to 45°C (ASHRAE Class A4) for up to 90 hours per year
 - System performance may be impacted when operating within the extended operating temperature range
 - There is no long term system reliability impact when operating at the extended temperature range within the approved limits.
- Specific configuration requirements and limitations are documented in Appendix D of this document and in the configuration matrix found in the *Intel® S2400BB Product Family Power Budget and Thermal Configuration Tool*, available as a download online at <http://www.intel.com/support>.
- The CPU-1 processor + CPU heat sink must be installed first. The CPU-2 heat sink must be installed at all times, with or without a processor installed.
- **Memory Slot population requirements –**

NOTE: Some system configurations may come with factory installed DIMM blanks. DIMM blanks should only be removed when installing a DIMM in the same DIMM slot. Memory population rules apply when installing DIMMs.

 - **DIMM Population Rules on CPU-1** – Install DIMMs in order; Channels A, B, and C. Start with 1st DIMM (Blue Slot) on each channel, then slot 2. Only remove factory installed DIMM blanks when populating the slot with memory.
 - **DIMM Population Rules on CPU-2** – Install DIMMs in order; Channels D, E, and F. Start with 1st DIMM (Blue Slot) on each channel, then slot 2. Only remove factory installed DIMM blanks when populating the slot with memory.
- All hard drive bays must be populated. Hard drive carriers can be populated with a hard drive or supplied drive blank.
- With the system operating, the air duct must be installed at all times
- In single power supply configurations, the 2nd power supply bay must have the supplied filler blank installed at all times.
- Two power supplies must be installed for the system to support fan redundancy.
- Thermally, the system can support the following PCI add-in cards.
 - Add-in cards with a minimum 100 LFM (0.5 m/s) air flow requirement can be installed in any available add-in card slot in both Riser Card #1 and Riser Card #2

- Add-in cards with a minimum 200 LFM (1 m/s) air flow requirement can be installed in any available add-in card slot on Riser Card #1 and the bottom add-in card slot on Riser Card #2. Middle and Top add-in card slots on Riser Card #2 cannot support PCI add-in cards with air flow requirements greater than 100 LFM.
- Add-in cards with a >200 LFM air flow requirement cannot be supported.
- **Note:** Most PCI add-in cards have minimum air flow requirements of 100 LFM (0.5m/s). Some high power add-in cards have minimum air flow requirements of 200 LFM (1 m/s). System integrators should verify PCI add-in card air flow requirements from vendor specifications when integrating add-in cards into the system.
- The system top-cover must be installed at all times when the system is in operation. The only exception to this requirement is to hot replace a failed system fan, in which case the top cover can be removed for no more than 3 minutes at a time.

4.2 Thermal Management Overview

In order to maintain the necessary airflow within the system, all of the previously listed components and top cover need to be properly installed. For best system performance, the external ambient temperature should remain below 35°C and all system fans should be operational. The system is designed for fan redundancy when the system is configured with two power supplies. Should a single system fan fail (System fan or Power Supply Fan), integrated platform management will: change the state of the System Status LED to flashing Green, report an error to the system event log, and automatically adjust fan speeds as needed to maintain system temperatures below maximum thermal limits.

Note: All system fans are controlled independent of each other. The fan control system may adjust fan speeds for different fans based on increasing/decreasing temperatures in different thermal zones within the chassis.

In the event that system temperatures should continue to increase with the system fans operating at their maximum speed, platform management may begin to throttle bandwidth of either the memory subsystem or the processors or both, in order to keep components from overheating and keep the system operational. Throttling of these sub-systems will continue until system temperatures are reduced below preprogrammed limits.

Should system temperatures increase to a point beyond the maximum thermal limits, the system will shut down, the System Status LED will change to a solid Amber state, and the event will be logged to the system event log.

Note: Sensor data records (SDRs) for any given system configuration must be loaded by the system integrator for proper thermal management of the system. SDRs are loaded using the FRUSDR utility.

An intelligent Fan Speed Control (FSC) and thermal management technology (mechanism) is used to maintain comprehensive thermal protection, deliver the best system acoustics, and fan power efficiency. Options in <F2> BIOS Setup (**BIOS>Advanced>System Acoustic and Performance Configuration**) allow for parameter adjustments based on the actual system configuration and usage. Refer to the following sections for a description of each setting.

4.2.1 Set Throttling Mode

This option is used to select the desired memory thermal throttling mechanism. Available settings include: **[Auto]**, **[DCLTT]**, **[SCLTT]** and **[SOLTT]**.

[Auto] – Factory Default Setting - BIOS automatically detects and identifies the appropriate thermal throttling mechanism based on DIMM type, airflow input, and DIMM sensor availability.

[DCLTT] – Dynamic Closed Loop Thermal Throttling: for the SOD DIMM with system airflow input

[SCLTT] – Static Close Loop Thermal Throttling: for the SOD DIMM without system airflow input

[SOLTT] – Static Open Loop Thermal Throttling: for the DIMMs without sensor on dimm (SOD)

4.2.2 Altitude

This option sets the proper altitude that the system will be used. Available settings include: [300m or less], [301m-900m], [901m-1500m], [Above 1500m].

Selecting an altitude range that is lower than the actual altitude the system will be operating at, can cause the fan control system to operate less efficiently, leading to higher system thermals and lower system performance. If the altitude range selected is higher than the actual altitude the system will be operating at, the fan control system may provide better cooling but with higher acoustics and higher fan power consumption. If the altitude is not known, selecting a higher altitude is recommended in order to provide sufficient cooling.

4.2.3 Set Fan Profile

This option sets the desired Fan Profile. Available settings include: [Performance] and [Acoustic].

The Acoustic mode offers the best acoustic experience and appropriate cooling capability supporting the majority of the add-in cards used. Performance mode is designed to provide sufficient cooling capability covering all kinds of add-in cards on the market.

4.2.4 Fan PWM Offset

This option is reserved for manual adjustment to the minimum fan speed curves. The valid range is from [0 to 100] which stands for 0% to 100% PWM adding to the minimum fan speed. This feature is valid when Quiet Fan Idle Mode is at Enabled state. The default setting is [0]

4.2.5 Quiet Fan Idle Mode

This feature can be [Enabled] or [Disabled]. If enabled, the fans will either shift to a lower speed or stop when the aggregate sensor temperatures are satisfied, indicating the system is at ideal thermal/light loading conditions. When the aggregate sensor temperatures are not satisfied, the fans will shift back to normal control curves. If disabled, the fans will never shift into lower fan speeds or stop, regardless of whether the aggregate sensor temperatures are satisfied or not. The default setting is [Disabled]

Note: The above feature may or may not be in effect and depends on the actual thermal characteristics of the specified system.

4.2.6 Thermal Sensor Input for Fan Speed Control

The BMC uses various IPMI sensors as inputs to fan speed control. Some of the sensors are actual physical sensors and some are “virtual” sensors derived from calculations.

The following IPMI thermal sensors are used as input to fan speed control:

- Front Panel Temperature Sensor¹
- CPU Margin Sensors^{2,4,5}
- DIMM Thermal Margin Sensors^{2,4}
- Exit Air Temperature Sensor^{1, 7, 9}
- PCH Temperature Sensor^{3,5}
- On-board Ethernet Controller Temperature Sensors^{3, 5}
- Add-In Intel SAS/IO Module Temperature Sensors^{3, 5}
- PSU Thermal Sensor^{3, 8}
- CPU VR Temperature Sensors^{3, 6}
- DIMM VR Temperature Sensors^{3, 6}
- BMC Temperature Sensor^{3, 6}
- Global Aggregate Thermal Margin Sensors⁷
- Hot Swap Backplane Temperature Sensors
- I/O module Temperature Sensor (With option installed)
- Intel® ROC Module (With option installed)

Notes:

1. For fan speed control in Intel chassis
2. Temperature margin from throttling threshold
3. Absolute temperature
4. PECI value or margin value
5. On-die sensor
6. On-board sensor
7. Virtual sensor
8. Available only when PSU has PMBus
9. Calculated estimate

The following diagram illustrates the fan speed control structure.

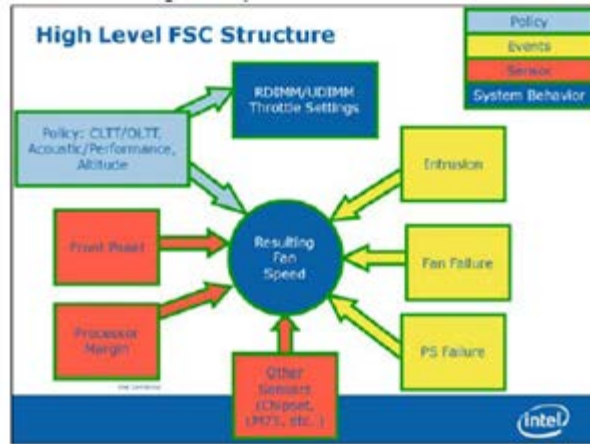


Figure 21. Fan Control Model

4.3 System Fans

Five 60x38-mm fans and an embedded fan for each installed power supply, provide the primary airflow for the system. The system is designed for fan redundancy when configured with two power supply modules. Should a single fan fail (system fan or power supply fan), platform management will adjust air flow of the remaining fans and manage other platform features to maintain system thermals. Fan redundancy is lost if more than one fan is in a failed state.

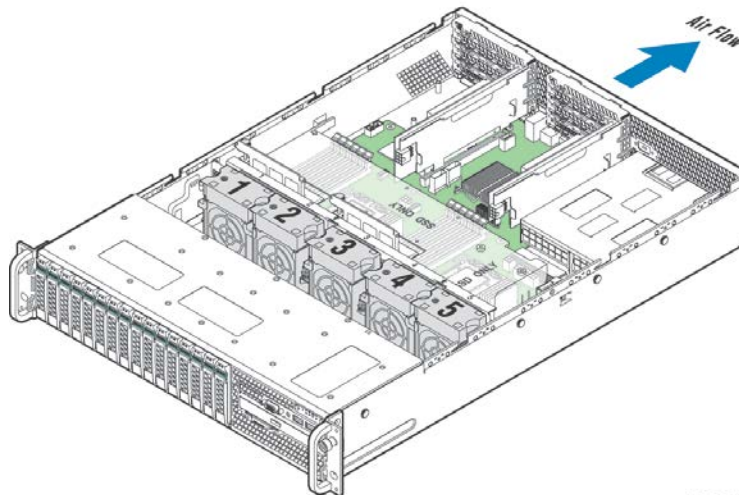


Figure 22. System Fan identification

AF005077



Figure 23. System Fan Assembly

The system fan assembly is designed for ease of use and supports several features.

- Each fan is hot-swappable.
- Each fan is designed for tool-less insertion and extraction from the fan assembly. For instructions on installing or removing a fan module, see the *Intel® Server System R2000BB Service Guide*.
- Fan speed for each fan is controlled by integrated platform management as controlled by the integrated BMC on the server board. As system thermals fluctuate high and low, the integrated BMC firmware will increase and decrease the speeds to specific fans within the fan assembly to regulate system thermals.
- Each fan has a tachometer signal that allows the integrated BMC to monitor their status.
- On top of each fan is an integrated fault LED. Platform management illuminates the fault LED for the failed fan.
- Each fan has a 10-pin wire harness that connects to a matching connector on the server board.

Note: Due to cable length limitations, the system fan connector labeled “SYS_FAN_5” on the server board is NOT used in this system. System Fan 5 will plug into the fan connector labeled “SYS_FAN_6”.

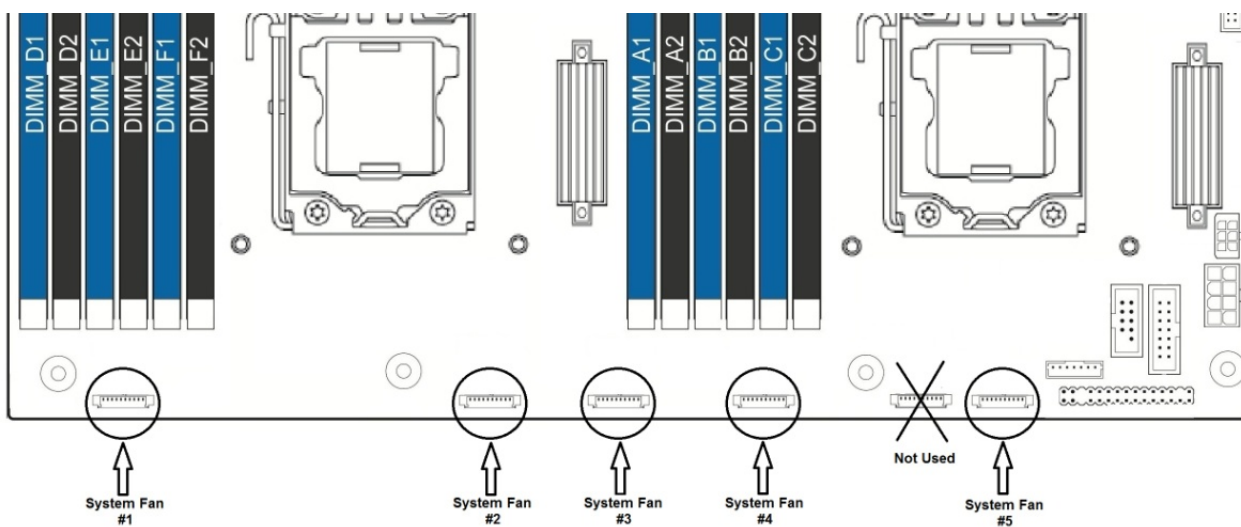


Figure 24. Server Board System Fan Connector Locations

Table 19. System Fan Connector Pin-out

SYS_FAN 1		SYS_FAN 2		SYS_FAN 3	
Signal Description	Pin#	Signal Description	Pin#	Signal Description	Pin#
FAN_TACH1_IN	1	FAN_TACH3_IN	1	FAN_TACH5_IN	1
FAN_IBMC_PWM0_R_BUF	2	FAN_IBMC_PWM1_R_BUF	2	FAN_IBMC_PWM2_R_BUF	2
P12V_FAN	3	P12V_FAN	3	P12V_FAN	3
P12V_FAN	4	P12V_FAN	4	P12V_FAN	4
FAN_TACH0_IN	5	FAN_TACH2_IN	5	FAN_TACH4_IN	5
GROUND	6	GROUND	6	GROUND	6
GROUND	7	GROUND	7	GROUND	7
FAN_SYS0_PRSNT_N	8	FAN_SYS1_PRSNT_N	8	FAN_SYS2_PRSNT_N	8
LED_FAN_FAULT0_R	9	LED_FAN_FAULT1_R	9	LED_FAN_FAULT2_R	9
LED_FAN0	10	LED_FAN1	10	LED_FAN2	10
SYS_FAN 4		SYS_FAN 5 (Not used)		SYS_Fan 6	
Signal Description	Pin#	Signal Description	Pin#	Signal Description	Pin#
FAN_TACH7_IN	1	FAN_TACH9_IN	1	FAN_TACH11_IN	1
FAN_IBMC_PWM3_R_BUF	2	FAN_IBMC_PWM4_R_BUF	2	FAN_IBMC_PWM5_R_BUF	2
P12V_FAN	3	P12V_FAN	3	P12V_FAN	3
P12V_FAN	4	P12V_FAN	4	P12V_FAN	4
FAN_TACH6_IN	5	FAN_TACH8_IN	5	FAN_TACH10_IN	5
GROUND	6	GROUND	6	GROUND	6
GROUND	7	GROUND	7	GROUND	7
FAN_SYS3_PRSNT_N	8	FAN_SYS4_PRSNT_N	8	FAN_SYS5_PRSNT_N	8
LED_FAN_FAULT3_R	9	LED_FAN_FAULT4_R	9	LED_FAN_FAULT5_R	9
LED_FAN3	10	LED_FAN4	10	LED_FAN5	10

4.4 Power Supply Module Fan

Each installed power supply module includes one embedded (non-removable) 40-mm fan. It is responsible for airflow through the power supply module. This fan is managed by the fan control system. Should this fan fail, the power supply will continue to operate until its internal temperature reaches an upper critical limit. The power supply will be protected against over temperature conditions caused by loss of fan cooling or excessive ambient temperature. In an over-temperature protection condition, the power supply module will shut down.

4.5 FRUSDR Utility

The purpose of the embedded platform management and fan control systems is to monitor and control various system features, and to maintain an efficient operating environment. Platform management is also used to communicate system health to supported platform management software and support mechanisms. The FRUSDR utility is used to program the server board with platform specific environmental limits, configuration data, and the appropriate sensor data records (SDRs), for use by these management features.

The FRUSDR utility must be run as part of the initial platform integration process before it is deployed into a live operating environment. It must be run with the system fully configured and each time the system configuration changes.

The FRUSDR utility for the given server platform can be run as part of the *Intel® Server Deployment Toolkit and Management DVD* that ships with each Intel server, or can be downloaded from <http://downloadcenter.intel.com>.

Note: The embedded platform management system may not operate as expected if the platform is not updated with accurate system configuration data. The FRUSDR utility must be run with the system fully configured and each time the system configuration changes for accurate system monitoring and event reporting.

5. Intel® Xeon Phi™ Coprocessor and GPGPU Add-in Card Support

Some (not all) system configurations of the Intel® Server System R2000BB product family have thermal and mechanical support for Intel® Xeon Phi™ Coprocessor cards and Non-Intel GPGPU add-in cards. Which card and system configurations can be supported is dependent on power and thermal limits of the system, and power and thermal requirements of the add-in card. This chapter will provide an overview of the system configuration criteria needed to support these high power cards.

Advisory Note: Shipping a fully configured system that includes the Intel® Xeon Phi™ card or other high end PCI graphics card is NOT supported using the original Intel packaging that the system came in. If the original Intel packaging is re-used, Intel recommends installing the Intel® Xeon Phi™ card or other high end PCI graphics card into the system after it reaches its final destination. Shipping a fully integrated system that includes the Intel® Xeon Phi™ card or other high end PCI graphics card using Intel's original system packaging may result in system or component damage.

5.1 High Power Add-in Card Support Criteria

- Due to thermal limits, Intel® Xeon Phi™ coprocessor cards and non-Intel GPGPU cards will only be supported in the following base system SKUs: R2308BB#####, R2208BB#####, and R2216BB#####. See Appendix D at the end of this document for additional configuration information.
- Only Intel® Xeon Phi™ coprocessor cards and non-Intel GPGPU cards configured with active heat sinks (heat sink + fan) will be supported.

NOTE: Due to thermal and air flow limits, high power add-in cards (> 75W) with passive heat sinks and/or a minimum air flow requirement of >200 LFM, cannot be supported.

- Intel® Xeon Phi™ coprocessor cards and non-Intel GPGPU cards with active heat sinks will only be supported when installed in either of the two following riser card options:
 - Riser #1 – Riser card with one PCIe add-in card slot (Intel product code **AXX2UPCIEX16**)
 - Riser #2 – Riser card with two PCIe add-in card slots (Intel product code **A2UL16RISER**).
 With these riser cards installed, the fan control system will operate system fans at a higher speed. No other riser cards can be supported due to air flow and thermal limits.
- A maximum of 75W of power can be supported directly from the riser card. Power requirements above 75W will require the additional power to be drawn from either of the two 2x2 pin “OPT_12V_PWR” connectors on the server board. Power cables for these connectors are included in the A2UL16RISER and AXX2UPCIEX16 riser card accessory kits and can support both 6 and 8 pin GPU card power connectors.
- **Configuration Note:** In order to support a non-Intel GPGPU card in Riser Slot #2, the Auxiliary 12V power connector of the add-in card MUST be located on the back edge of the card. Aux 12V power connectors located on the top edge of the add-in card will interfere with the chassis side wall.
- A total system power budget should be calculated to determine if the power draw of the desired system configuration meets the power limits of the power supplies. A power budget tool for the specified system can be downloaded from <http://www.intel.com/support>.
- High power add-in cards with active cooling solutions that require up to 300W, can be supported. A total system power budget should be calculated to determine if the power draw of the desired system configuration meets the power limits of the installed power supplies. A power budget tool for the specified system can be downloaded from <http://www.intel.com/support>.

- Riser cards can support a maximum combined (all PCIe slots) power draw of up to 75W. Add-in cards with power requirements above 75W will require the additional power to be drawn from either of two 2x2 pin “OPT_12V_PWR” connectors on the server board. Power cables for these connectors are included in the A2UL16RISER accessory kit and can support both 6 and 8 pin 12V AUX power connectors located on the add-in cards. See section 3.3.2 *Riser Card Power Connectors*, for the Optional12V power connector usage and power cable specification.
- **NOTE:** The latest posted system software updates must be installed on the system to ensure proper fan speed control is enabled. The latest system update package can be downloaded from the following Intel web site: <http://downloadcenter.intel.com>

5.2 Intel® Xeon Phi™ Coprocessor Card – System Configuration Requirements

Intel highly recommends that the latest available system software be installed. The latest system update package can be downloaded from the following Intel web site: <http://downloadcenter.intel.com>

- The following <F2> BIOS Setup Utility Options must be set as follows:
 - MMIO over 4GB = Enabled
 - MMIO Size = 256GB

6. System Storage and Peripheral Drive Bays Overview

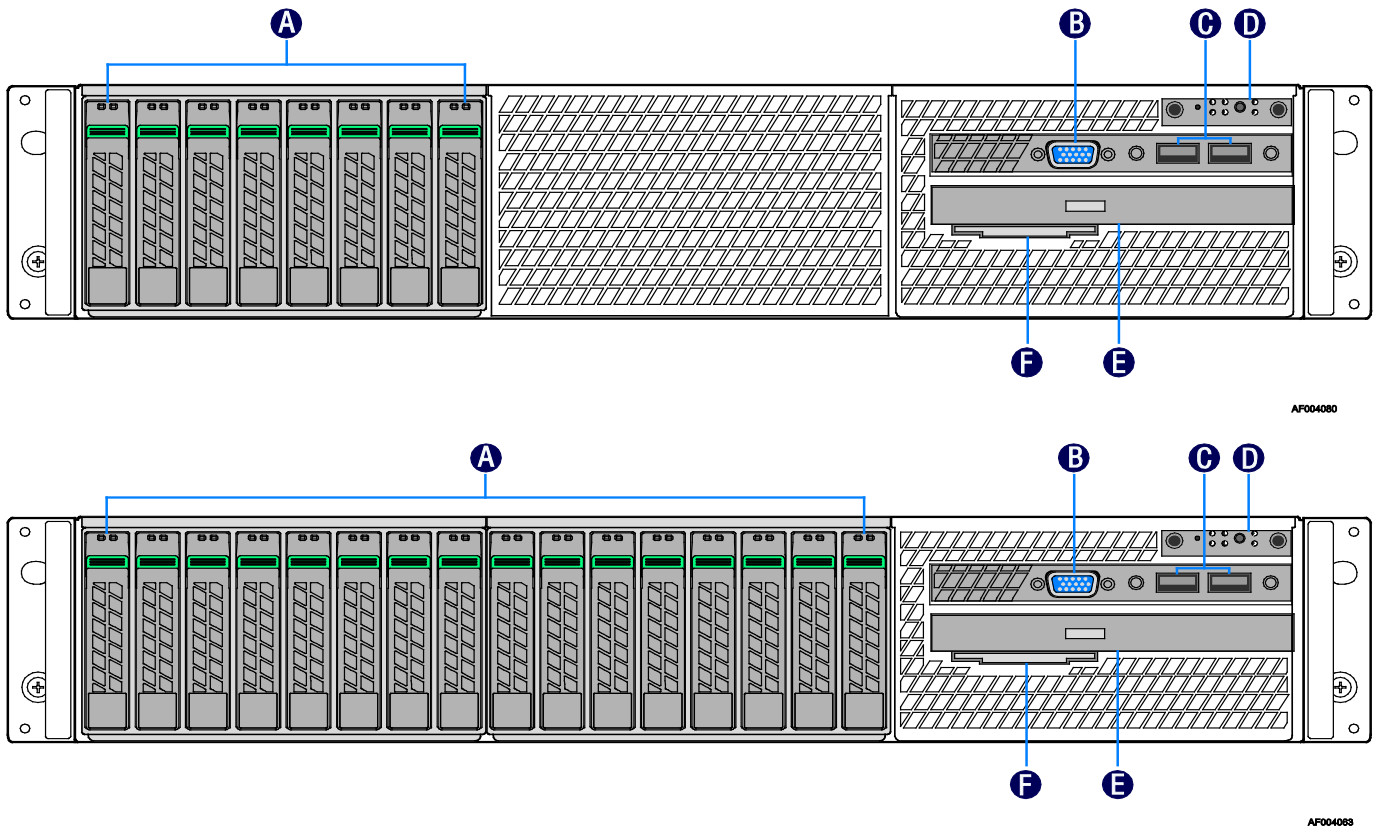
The Intel® Server System R2000BB product family has support for many storage device options, including:

- Hot Swap 2.5” Hard Disk Drives
- Hot Swap 3.5” Hard Disk Drives
- SATA Optical Drive
- SATA Solid State Devices (SSDs)
- Low Profile (2mm) eUSB Solid State Device (eUSB SSD)
- mSATA Solid State Device
- SATA DOM

Support for different storage and peripheral device options will vary depending on the system SKU.

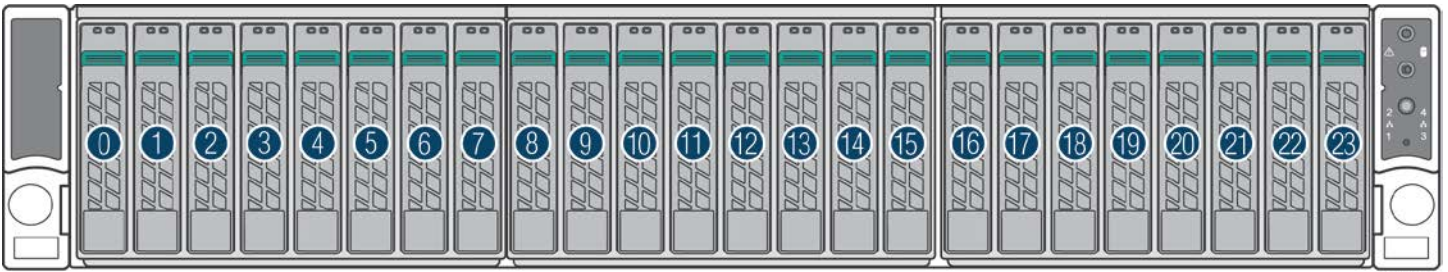
6.1 2.5” Hard Disk Drive Support

The server is available in 2.5” hard disk configurations of 8, 16, and 24 drives as illustrated below.



Label	Description
A	2.5” Hard Drive Bays
B	Video Connector
C	USB Ports
D	Front Control Panel
E	SATA Optical Drive
F	System Label Pull-out

Figure 25. 2.5” Hard Drive Bay - 8 & 16 Drive Configuration

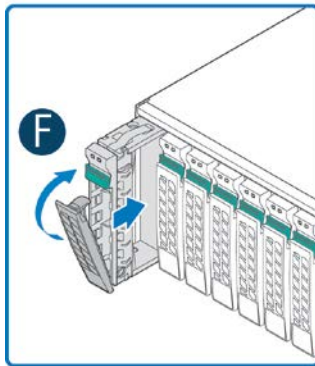


AF004064

Figure 26. 2.5" Hard Drive Bay - 24 Drive Configuration

The drive bay can support either SATA or SAS hard disk drives. Mixing of drive types within a common hot swap backplane is not supported. Systems with multiple hot swap backplanes can support different drive type configurations as long as the drives attached to a common backplane are the same and the installed controller attached to the given backplane can support the drive type. Hard disk drive type is dependent on the type of host bus controller used, SATA only or SAS.

Each 2.5" hard disk drive is mounted to a drive tray, allowing for hot swap extraction and insertion. Drive trays have a latching mechanism that is used to extract and insert drives from the chassis, and lock the tray in place.



AF004077

Light pipes integrated into the drive tray assembly direct light emitted from Amber drive status and Green activity LEDs located next to each drive connector on the backplane, to the drive tray faceplate, making them visible from the front of the system.

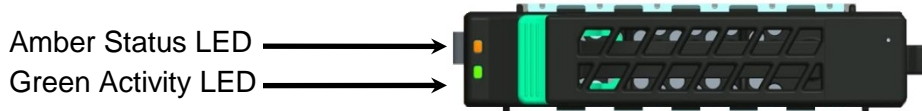


Table 20. Drive Status LED States

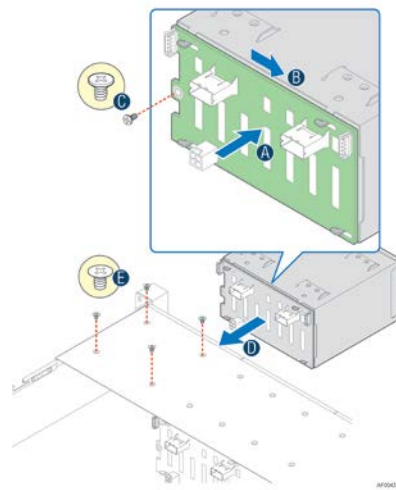
Amber	Off	No access and no fault
	Solid On	Hard Drive Fault has occurred
	Blink	RAID rebuild in progress (1 Hz), Identify (2 Hz)

Table 21. Drive Activity LED States

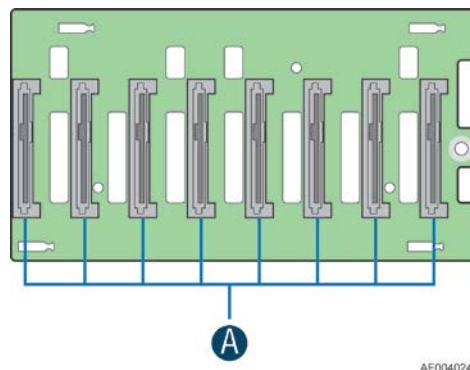
Green	Condition	Drive Type	Behavior
	Power on with no drive activity	SAS	LED stays on
		SATA	LED stays off
	Power on with drive activity	SAS	LED blinks off when processing a command
		SATA	LED blinks on when processing a command
	Power on and drive spun down	SAS	LED stays off
		SATA	LED stays off
	Power on and drive spinning up	SAS	LED blinks
		SATA	LED stays off

6.1.1 2.5" Drive Hot-Swap Backplane Overview

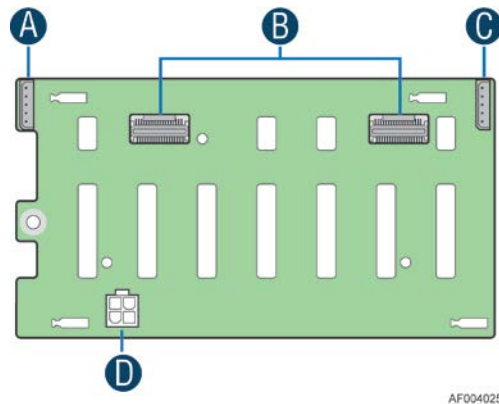
Depending on the number of hard disk drives supported by a given system SKU, a system can be configured with 1, 2, or 3 eight drive backplanes. Each backplane is attached to the back of the drive bay assembly.



On the front side of each backplane are mounted eight hard disk drive interface connectors (A), each providing both power and I/O signals to attached hard disk drives.



On the backside of each backplane are several connectors. The following illustration identifies each.



Label	Description
A	SMBus-Out cable connector for multi-backplane support
B	4-port Mini-SAS cable connectors
C	SMBus-In cable connector – From Server board or other backplane
D	Power connector

A and C – SMBus Cable Connectors – The backplane includes two 1x5 cable connectors used as a management interface between the server board and the installed backplanes. In systems configured with multiple backplanes, a short jumper cable is attached between backplanes, with connector B used on the first board and connector D used on the second board, extending the SMBus to each installed backplane.

B – Multi-port Mini-SAS Cable Connectors – The backplane includes two multi-port mini-SAS cable connectors, each providing SGPIO and I/O signals for four SAS/SATA hard drives on the backplane. Cables can be routed from matching connectors on the server board, installed add-in SAS/SATA RAID cards, or optionally installed SAS expander cards for drive configurations of greater than 8 hard drives.

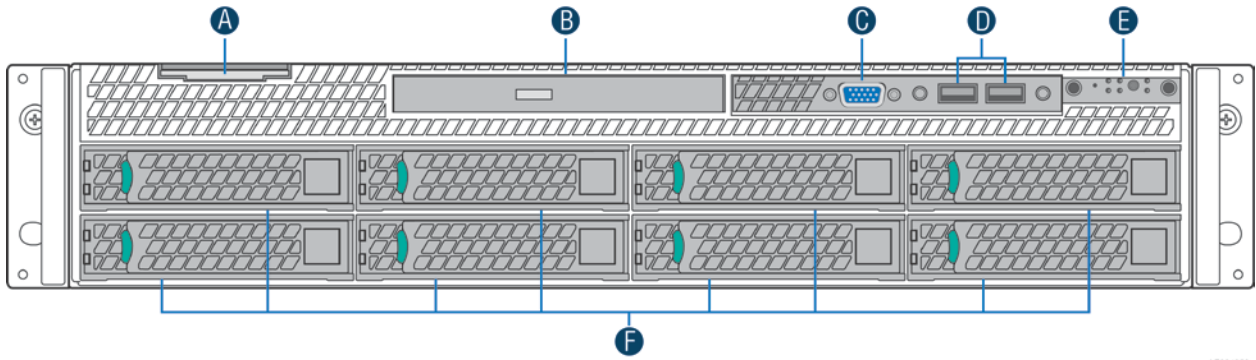
D – Power Harness Connector – The backplane includes a 2x2 connector supplying power to the backplane. Power is routed to each installed backplane via a multi-connector power cable harness from the server board.

6.1.2 Cypress* CY8C22545 Enclosure Management Controller

The backplanes support enclosure management using a Cypress* CY8C22545 Programmable System-on-Chip (PSoC*) device. The CY8C22545 drives the hard drive activity/fault LED, hard drive present signal, and controls hard drive power-up during system power-on.

6.2 3.5” Hard Disk Drive Support

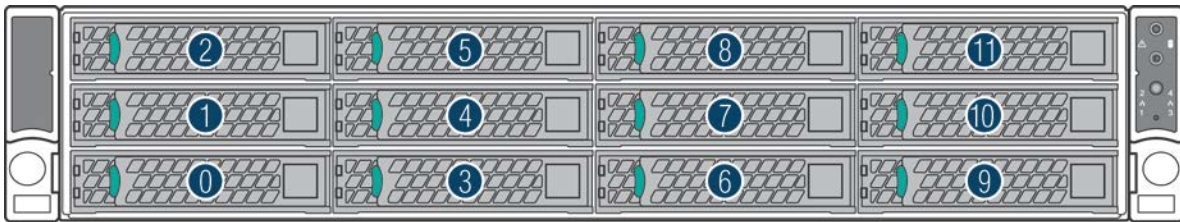
The server is available in 3.5” hard disk configurations of 8 and 12 drives as illustrated below.



AF004056

Label	Description
A	System Label Pull-out Tab
B	SATA Optical Drive
C	Video Connector
D	USB Ports
E	Front Control Panel
F	3.5” Hard Drive Bays

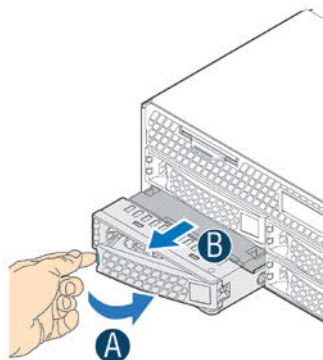
Figure 27. 3.5” Hard Drive Bay - 8 Drive Configuration



AF004103

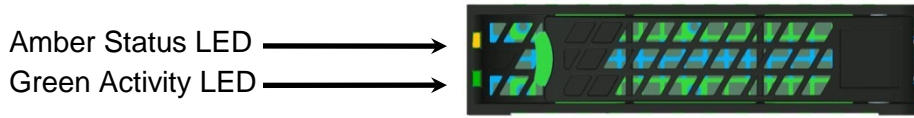
Figure 28. 3.5” Hard Drive Bay - 12 Drive Configuration

The drive bay can support either SATA or SAS hard disk drives. Mixing of drive types within the hard drive bay is not supported. Hard disk drive type is dependent on the type of host bus controller used, SATA only or SAS. Each 3.5” hard disk drive is mounted to a drive tray, allowing for hot swap extraction and insertion. Drive trays have a latching mechanism that is used to extract and insert drives from the chassis, and lock the tray in place.



AF004066

Light pipes integrated into the drive tray assembly direct light emitted from Amber drive status and Green activity LEDs located next to each drive connector on the backplane, to the drive tray faceplate, making them visible from the front of the system.



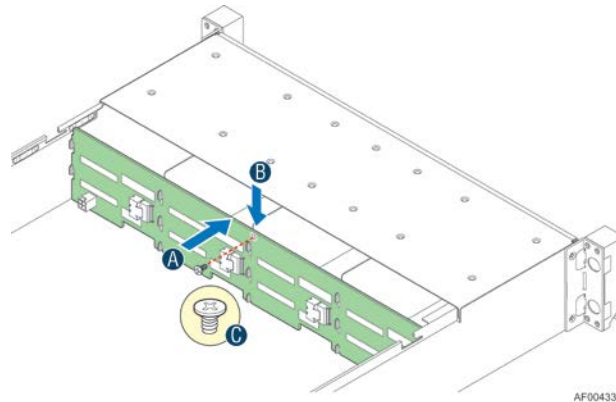
Amber	Off	No access and no fault
	Solid On	Hard Drive Fault has occurred
	Blink	RAID rebuild in progress (1 Hz), Identify (2 Hz)

	Condition	Drive Type	Behavior
Green	Power on with no drive activity	SAS	LED stays on
		SATA	LED stays off
	Power on with drive activity	SAS	LED blinks off when processing a command
		SATA	LED blinks on when processing a command
	Power on and drive spun down	SAS	LED stays off
		SATA	LED stays off
	Power on and drive spinning up	SAS	LED blinks
		SATA	LED stays off

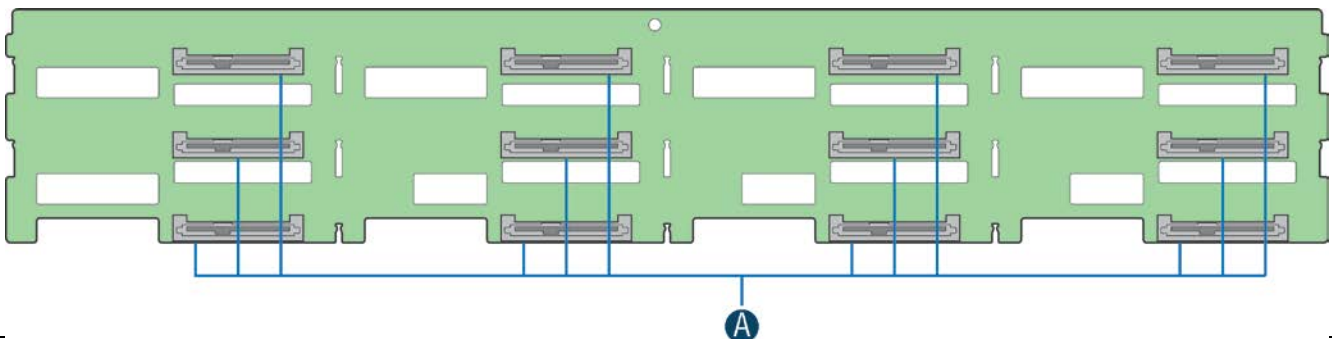
6.2.1 3.5” Drive Hot-Swap Backplane Overview

Systems with 8 or 12 drive configurations have their own unique backplane. Both 8 and 12 drive backplanes share identical features. The following will be used to describe the features of both backplanes. Differences between the two will be noted.

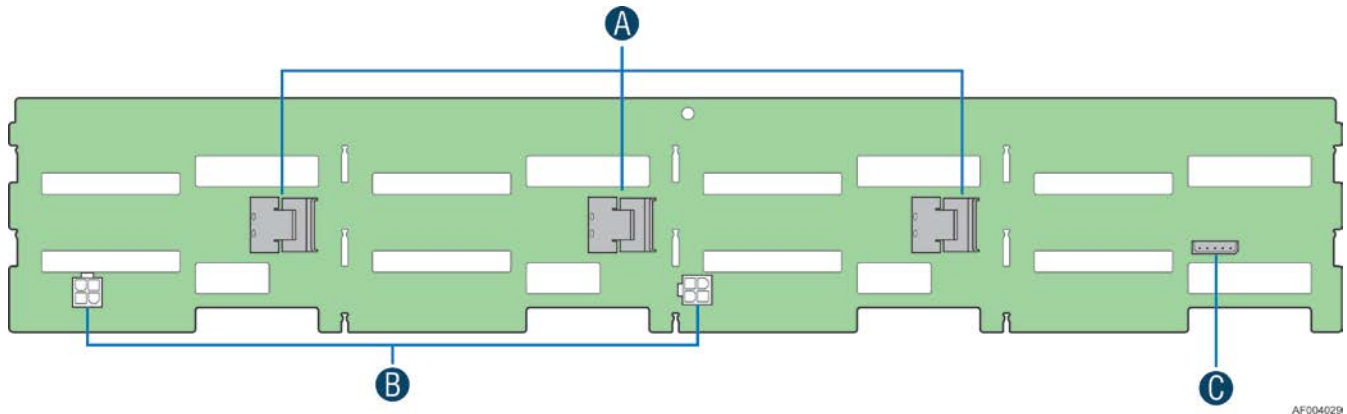
The backplanes mount to the back of the drive bay assembly.



On the front side of each back plane are mounted eight or twelve hard disk drive interface connectors, each providing both power and I/O signals to attached hard disk drives.



On the backside of each backplane are several connectors. The following illustration identifies each.



AF004029

Label	Description
A	4-port mini-SAS connectors
B	Power connectors
C	SMBus connector

A – 4-port Mini-SAS Connectors – The backplane includes two or three multi-port mini-SAS cable connectors, each providing SGPIO and I/O signals for four SAS/SATA hard drives on the backplane. Cables can be routed from matching connectors on the server board, add-in SAS/SATA RAID cards, or an optionally installed SAS expander card. Each mini-SAS connector will include a silk-screen identifying which drives the connector supports; Drives 0-3, Drives 4-7, and Drives 8-11.

B – Power Harness Connector - The backplane includes a 2x2 connector supplying power to the backplane. Power is routed to the backplane via a power cable harness from the server board

C- SMBus Cable Connectors – The backplane includes a 1x5 cable connector used as a management interface to the server board.

6.2.2 Cypress* CY8C22545 Enclosure Management Controller

The backplanes support enclosure management using a Cypress* CY8C22545 Programmable System-on-Chip (PSoC*) device. The CY8C22545 drives the hard drive activity/fault LED, hard drive present signal, and controls hard drive power-up during system power-on.

6.3 Optical Drive Support

Systems configured with eight 3.5" hard drive bays or up to sixteen 2.5" hard drive bays also include support for an optical drive bay 'A' as illustrated below.

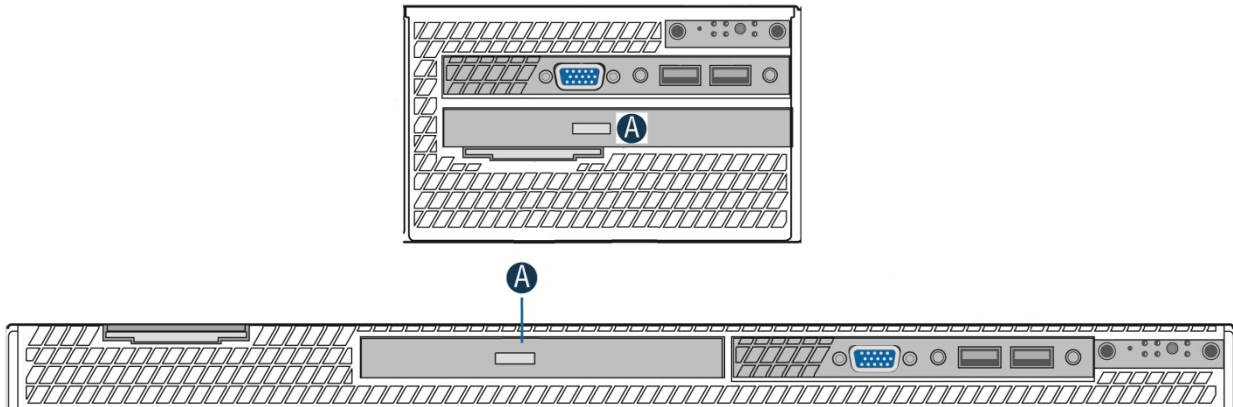
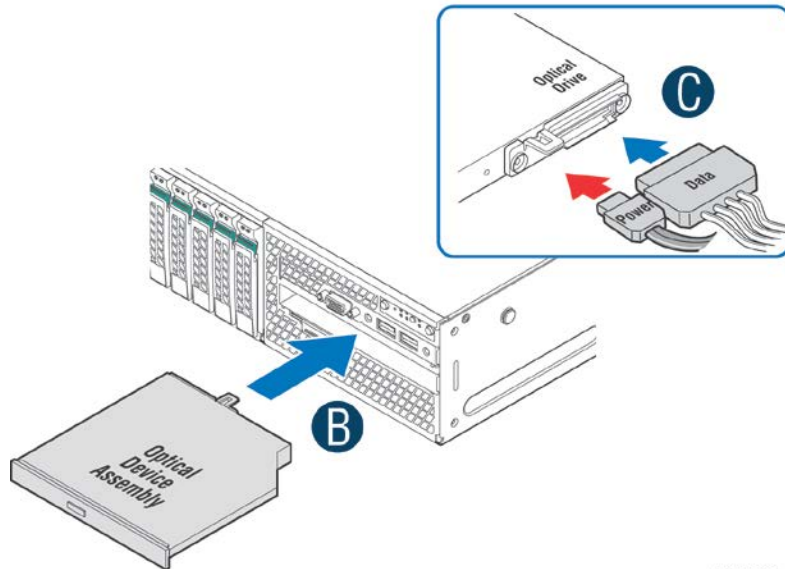


Figure 29. Optical Drive Support

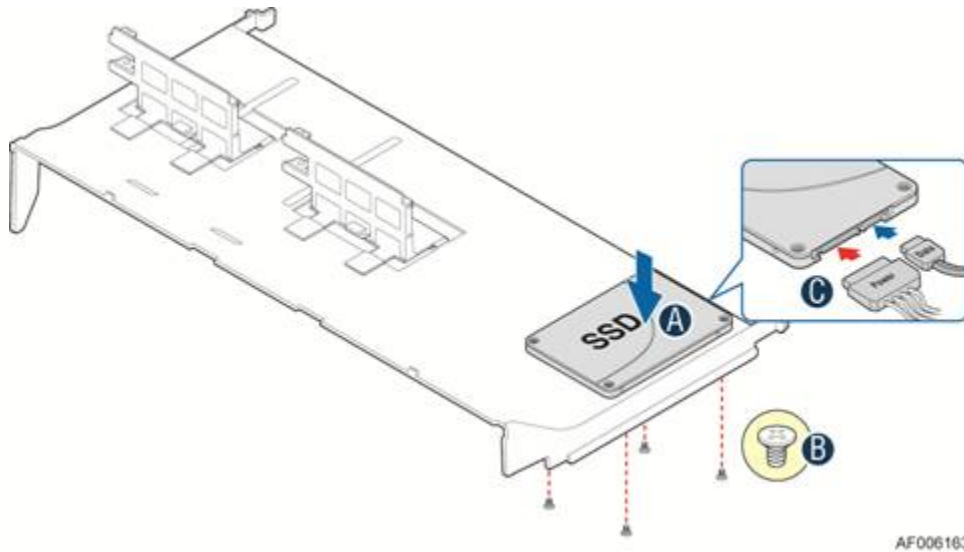
A 2x3 pin power connector on the server board labeled “ODD/SSD PWR” is designed to provide power to a SATA SSD or SATA optical drive using the supplied power cable. SATA signals for one SATA device is cabled from the white 7-pin single port AHCI SATA connector labeled “AHCI_SATA_1” on the server board.



AF004099

6.4 Internal – Fixed Mount Solid State Drive (SSD) Support

The system can support one internal fixed mount 2.5" Solid State Drive (SSD). The drive is attached via 4-attachment screws to the top side of the air duct.



AF006163

Figure 30. 2.5" Internal Fixed Mount Solid State Drive (SSD) Mounting Option

A 2x3 pin power connector on the server board labeled “ODD/SSD PWR” is designed to provide power to the SSD. SATA signals for a single SATA device can be cabled from the white 7-pin AHCI SATA connector on the server board.

NOTES: Mounting standard mechanical hard disk drives to the air duct is NOT a supported configuration. Mounting hard disk drives to the air duct may cause data loss, performance degradation, and premature drive failures.

6.5 Low Profile eUSB SSD Support

The system provides support for a low profile eUSB SSD storage device. A 2mm 2x5-pin connector labeled “eUSB SSD” near the rear I/O section of the server board is used to plug this small flash storage device into.

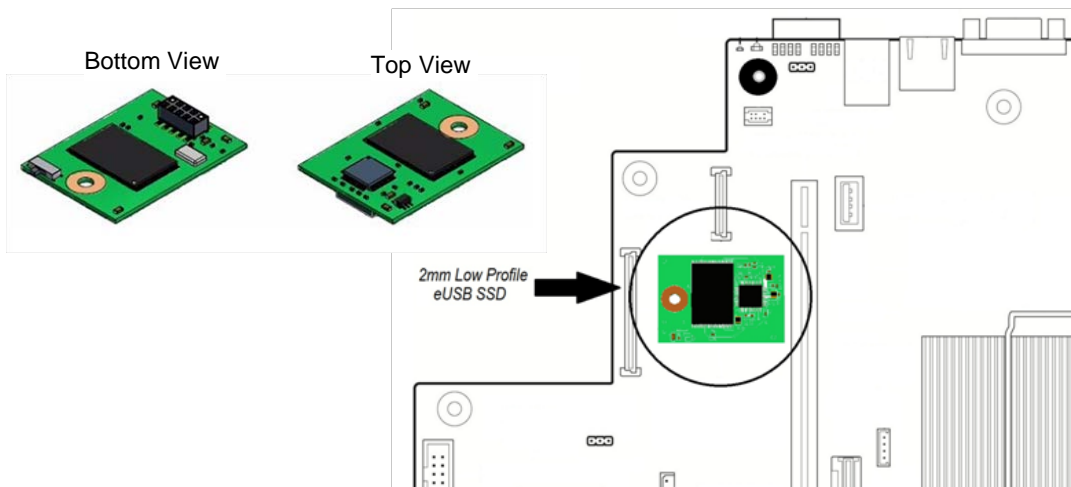


Figure 31. Low Profile eUSB Placement

eUSB features include:

- 2 wire small form factor Universal Serial Bus 2.0 (Hi-Speed USB) interface to host
- Read Speed up to 35 MB/s and write Speed up to 24 MB/s
- Capacity range from 256 MB to 32 GB
- Support USB Mass Storage Class requirements for Boot capability

6.6 SATA DOM Support

The system has support for a vertical low profile Innodisk* SATA Disk-on-Module (DOM) device.

The SATA DOM plugs directly into the 7-pin AHCI SATA port on the server board, which provides both power and I/O signals.



Figure 32. Innodisk* Low Profile SATA DOM

SATA DOM features include:

- Ultra low Profile
- High Speed and Capacity
- Built-in VCC at pin 7

Note: Visit <http://www.intel.com/support>. for a list of supported Innodisk SATA DOM parts

6.7 mSATA SSD Support

The system provides support for a mSATA SSD storage device.

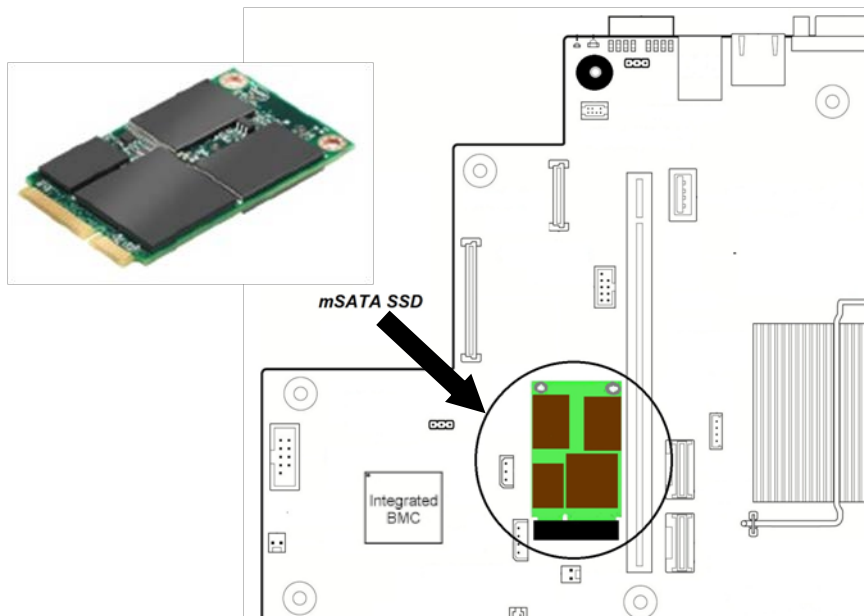


Figure 33. mSATA Placement

The mSATA storage device plugs in to a 52-pin PCIe mini-connector on the server labeled “mSATA SSD”. mSATA SSD features include:

- Capacities ranging from 40GB to 128GB
- Small foot print
- Low power

7. Storage Controller Options Overview

The server platform supports many different embedded and add-in SATA/SAS controller and SAS Expander options to provide a large number of possible storage configurations. This section will provide an overview of the different options available.

7.1 Embedded SATA / SAS Controller support

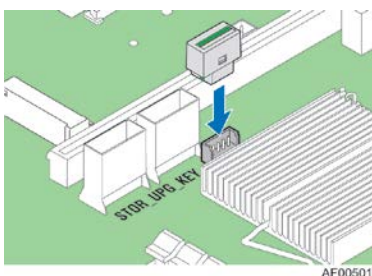
Integrated on the server board is an Intel® C602 chipset that provides embedded storage support via two integrated controllers: AHCI and SCU.

The standard server board (with no additional storage options installed) will support up to six SATA ports:

- One single 6 Gb/sec SATA port routed from the AHCI controller to a white 7-pin SATA ports labeled “SATA_1” on the server board. This port can be used to support either a SATA optical drive or SATA SSD.
- One single 6 Gb/sec SATA port routed from the AHCI controller to the mSATA connector.
- Four 3 Gb/sec SATA ports routed from the SCU controller to the multi-port mini-SAS connector labeled “SCU_0 (0-3)”.

Note: The mini-SAS connector labeled “SCU_1” is NOT functional by default and is only enabled with the addition of an Intel® RAID C600 Upgrade Key option supporting 8 SAS/SATA ports.

With the addition of one of several available Intel® RAID C600 Upgrade Keys, the system is capable of supporting additional embedded SATA, SAS, and software RAID options. Upgrade keys install onto a 4-pin connector on the server board labeled “STOR_UPG_KEY”.



The following table identifies available upgrade key options and their supported features.

Table 22. Intel® RAID C600 Upgrade Key Options

Intel® RAID C600 Upgrade Key (Intel Product Codes)	Key Color	Description
Default – No option key installed	N/A	4 Port SATA with Intel® ESRT RAID 0,1,10 and Intel® RSTe RAID 0,1,5,10
RKSATA4R5	Black	4 Port SATA with Intel® ESRT2 RAID 0,1, 5, 10 and Intel® RSTe RAID 0,1,5,10
RKSATA8	Blue	8 Port SATA with Intel® ESRT2 RAID 0,1, 10 and Intel® RSTe RAID 0,1,5,10
RKSATA8R5	White	8 Port SATA with Intel® ESRT2 RAID 0,1, 5, 10 and Intel® RSTe RAID 0,1,5,10
RKSAS4	Green	4 Port SAS with Intel® ESRT2 RAID 0,1, 10 and Intel® RSTe RAID 0,1,10
RKSAS4R5	Yellow	4 Port SAS with Intel® ESRT2 RAID 0,1, 5, 10 and Intel® RSTe RAID 0,1,10
RKSAS8	Orange	8 Port SAS with Intel® ESRT2 RAID 0,1, 10 and Intel® RSTe RAID 0,1,10
RKSAS8R5	Purple	8 Port SAS with Intel® ESRT2 RAID 0,1, 5, 10 and Intel® RSTe RAID 0,1,10

Additional information for the on-board RAID features and functionality can be found in the *Intel® RAID Software Users Guide* (Intel Document Number D29305-015).

7.2 Embedded Software RAID Support

The system includes support for two embedded software RAID options:

- Intel® Embedded Server RAID Technology 2 (ESRT2) based on LSI* MegaRAID SW RAID technology
- Intel® Rapid Storage Technology (RSTe)

Using the <F2> BIOS Setup Utility, accessed during system POST, options are available to enable/disable SW RAID, and select which embedded software RAID option to use.

7.2.1 Intel® Embedded Server RAID Technology 2 (ESRT2)

Features of the embedded software RAID option Intel® Embedded Server RAID Technology 2 (ESRT2) include the following:

- Based on LSI* MegaRAID Software Stack
- Software RAID with system providing memory and CPU utilization
- Supported RAID Levels – 0,1,5,10
 - 4 & 8 Port SATA RAID 5 support provided with appropriate Intel® RAID C600 Upgrade Key
 - 4 & 8 Port SAS RAID 5 support provided with appropriate Intel® RAID C600 Upgrade Key
- Maximum drive support = 8
 - NOTE: ESRT2 has no SAS Expander Support
- Open Source Compliance = Binary Driver (includes Partial Source files)
 - Meta data is also recognized by MDRAID layer in Linux (No direct Intel support, not validated by Intel)
- OS Support = Windows 7*, Windows 2008*, Windows 2003*, RHEL*, SLES*, other Linux variants using partial source builds.
- Utilities = Windows* GUI and CLI, Linux GUI and CLI, DOS CLI, and EFI CLI

7.2.2 Intel® Rapid Storage Technology (RSTe)

Features of the embedded software RAID option Intel® Rapid Storage Technology (RSTe) include the following:

- Software RAID with system providing memory and CPU utilization
- Supported RAID Levels – 0,1,5,10
 - 4 Port SATA RAID 5 available standard (no option key required)
 - 8 Port SATA RAID 5 support provided with appropriate Intel® RAID C600 Upgrade Key
 - No SAS RAID 5 support
- Maximum drive support = 32 (in arrays with 8 port SAS), 16 (in arrays with 4 port SAS), 128 (JBOD)
- Open Source Compliance = Yes (uses MDRAID)
- MDRAID supported in Linux (Does not require a driver)
- OS Support = Windows 7*, Windows 2008*, Windows 2003*, RHEL*¹, SLES*¹, VMWare 5.x.
- Utilities = Windows* GUI and CLI, Linux CLI, DOS CLI, and EFI CLI
- **NOTE:** Boot drive support to targets attached through SAS expander card requires BIOS update. Must connect expander to SCU_0 and drives to ports 0&1 on RES2SV240 expander or A&B on RES2CV**0 for boot support.

Note 1) See latest product errata list for Linux support status. Product Errata are documented in the *Intel® Server Board S2400BB, Intel® Server System R1000BB, Intel® Server System R2000BB Monthly Specification Update* which can be downloaded from <http://www.intel.com/support>.

Visit <http://www.intel.com/support> for a list of supported operating systems.

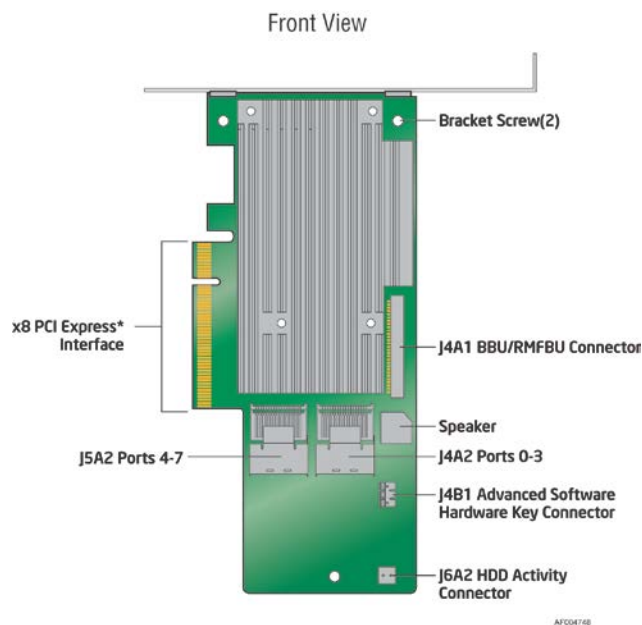
7.3 Intel® Integrated RAID Module Support (Available Option)

The system has support for several Intel® Integrated RAID adapters. The RAID adapter can be installed in to any available PCIe slot on either Riser Card #1 or Riser Card #2.

Table 23. Supported Intel® Integrated RAID Modules

External Name	Description	Product Code
Intel® Integrated RAID Module RMS25PB080	8P SAS-2.1, Full HW RAID, 1GB, PCIe	RMS25PB080
Intel® Integrated RAID Module RMS25PB040	4P SAS-2.1, Full HW RAID, 1GB, PCIe	RMS25PB040
Intel® Integrated RAID Module RMT3PB080	8P SATA-3, Full HW RAID, 512MB, PCIe	RMT3PB080
Intel® Integrated RAID Module RMS25KB080	8P SAS-2.1, Entry-level HW RAID, PCIe	RMS25KB080
Intel® Integrated RAID Module RMS25KB040	4P SAS-2.1, Entry-level HW RAID, PCIe	RMS25KB040

Note: With only one processor installed, there are only 4 or 8 PCIe bus lanes routed to Riser Card #2. See Chapter #9 for full architectural details. Therefore, with only one processor installed, when installing an add-in card onto Riser Card #2, the card must be installed into PCIe slot #3 (Bottom x8 Slot) for the card to be functional.



Features of this option include:

- SKU options to support full or entry level hardware RAID
- 4 or 8 port and SAS/SATA or SATA –only ROC options
- SKU options to support 512MB or 1GB embedded memory
- Support for RAID Battery Backup Unit (**AXXRBBU9**)
- ROC support for the Intel® Raid Maintenance Free Backup Unit (**AXXRMFBU2**)
 - **Accessory Support Note:** Due to space limitations, the AXXRMFBU2 accessory cannot be mounted on the side wall attach feature used for the AXXRBBU9. To support the AXXRMFBU2 in the 2U chassis, an optional mounting bracket must be installed over the power supply bay. The Intel part number for the 2U system AXXRMFBU2 mounting bracket is **A2UBKTMFBUSSD**.

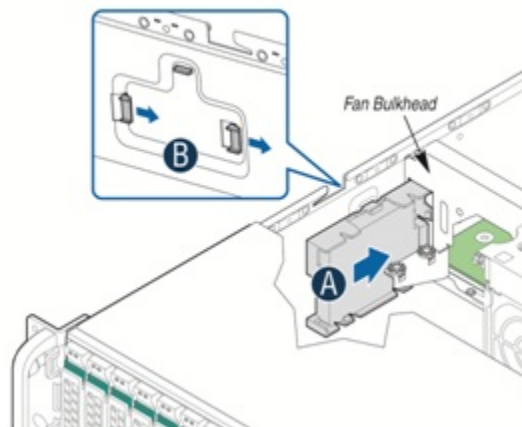


Figure 34. Mounting feature for accessory kit AXXRBBU9

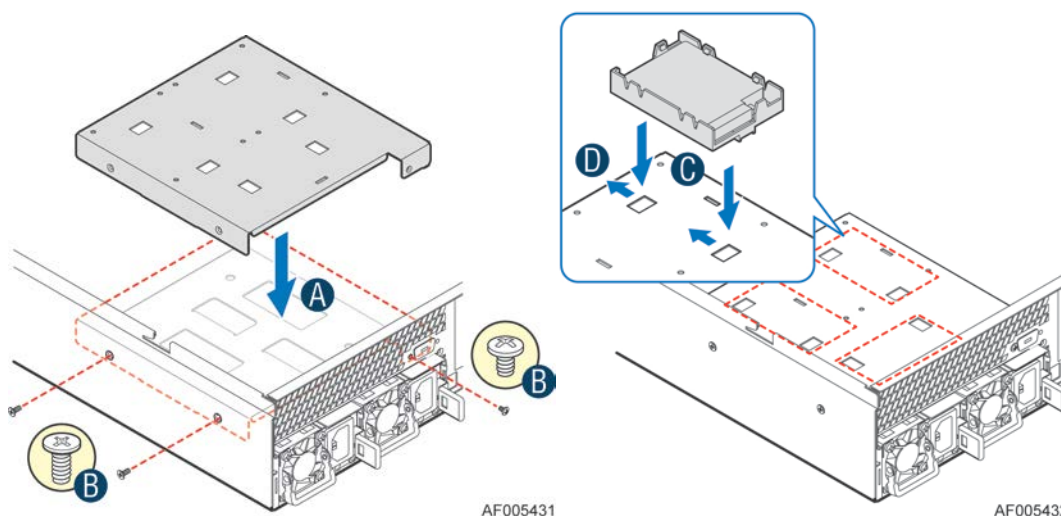


Figure 35. A2UBKTRMFBUSSD Bracket + AXXRMFBU2 Installation

For additional product information, please reference the following Intel document:

- *Intel Integrated RAID Module RMS25PB040, RMS25PB080, RMS25CB040, and RMS25CB080 Hardware / Installation Users Guide*
- *Intel Integrated RAID Module RMT3PB080 and RMT3CB080 Hardware / Installation Users Guide*
- *Intel Integrated RAID Module RMS25KB040, RMS25KB080, RMS25JB040, and RMS25JB080 Hardware / Installation Users Guide*
- *Intel® Raid Maintenance Free Backup Unit AXXRMFBU2 User's Guide*

7.4 Intel® SAS Expander Support Options

The system is designed to support SAS Expander cards for storage configurations that require more than eight hard disk drives.

Intel® SAS Expander	Installation type	Hard Drive Configuration
24 Port PCIe Intel® RAID Expander Card RES2SV240	PCIe add-in card	3.5" Hard Disk drive bay configurations
24 Port Internal Intel® RAID Expander Card RES2CV240	Internal mount	2.5" Hard Disk drive bay configurations
36 Port Internal Intel® SAS Expander Card RES2CV360	Internal mount	2.5" Hard Disk drive bay configurations

Intel® RAID Expander Features:

- SAS protocol, described in the Serial Attached SCSI (SAS) Standard, version 2.0
- Serial SCSI Protocol (SSP) to enable communication with other SAS devices
- Serial Tunneling Protocol (STP) support for SATA II through expander interfaces
- Serial Management Protocol (SMP) to share topology management information with expanders
- Supports SES for enclosure management
- Output mini-SAS connectors support sideband SGPIO as per SFF-8485 specification
- Supports both Serial Attached SCSI and Serial ATA device targets
- 6.0 Gbit/s, 3.0 Gbit/s, and 1.5 Gbit/s data transfer rate
- SFF-8087 mini-SAS connectors
- Provides a low-latency connection to create and maintain transparent access to each connected SAS/SATA physical drive
- Staggered spin-up
- Hot Plug
- Native Command Queuing
- Allows multiple initiators to address a single target (in a fail-over configuration)

7.4.1 24-Port PCIe Intel® RAID Expander Card RES2SV240

For large storage configurations that include a drive bay supporting twelve 3.5" hard disk drives, a 24-Port PCIe Intel® RAID Expander Card RES2SV240 may be installed into any available PCIe add-in slot.

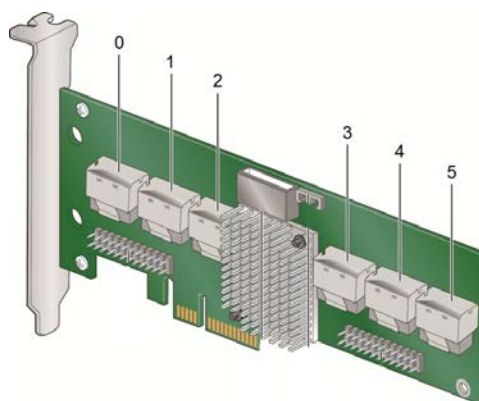


Figure 36. 24 Port PCIe Intel® RAID Expander Card RES2SV240

For additional information on the Intel® RAID Expander Card RES2SV240, please reference the *Intel® RAID Expander Card RES2SV240 Hardware Users Guide*, Intel Document Order # E93121-003.

7.4.2 24-Port and 36-Port Internal Intel RAID Expander Cards

For large storage configurations that include a drive bay supporting more than eight 2.5" hard disk drives, the system may be configured with an internally mounted 24-port or 36-port SAS expander card mounted directly behind the drive bay assembly as shown in the following illustration. SAS expander selection is dependent on the desired SAS controller configuration.

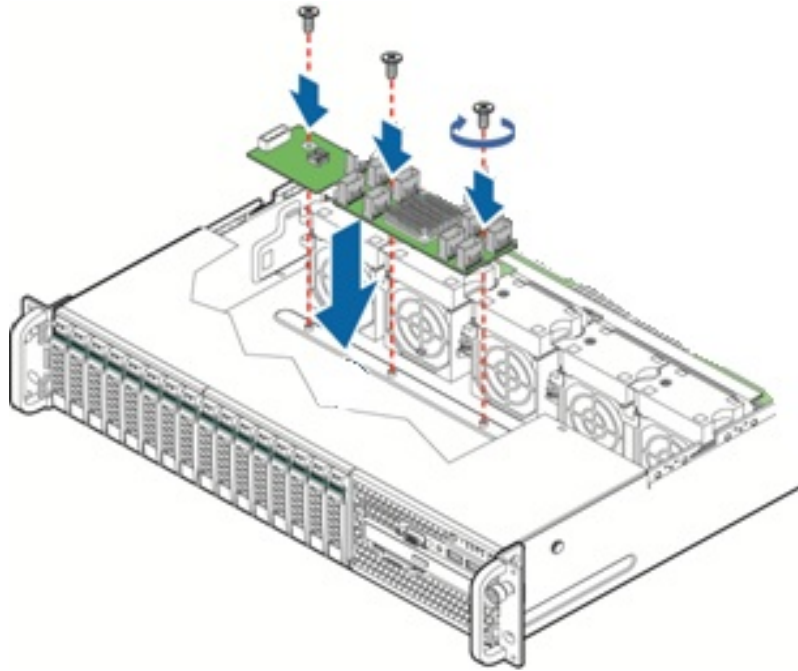


Figure 37. Internal SAS Expander Installation

The following diagrams are used to help identify the mini-SAS connectors found on the SAS expander cards. Care should be taken when connecting connectors from the SAS expander to the connectors on the backplane because each connector is pre-programmed at the factory to provide specific drive identification mapping. Improper connections may provide undesirable drive mappings.

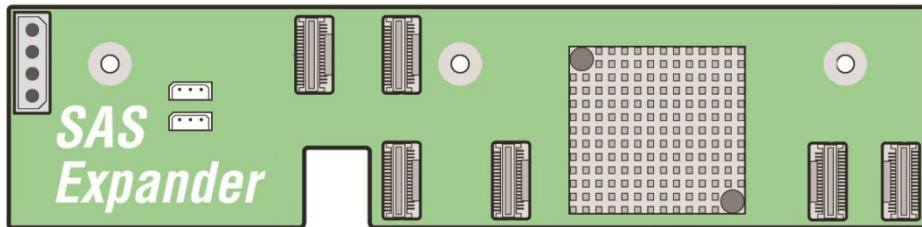


Figure 38. Internal 24-Port SAS Expander Card (RES2CV240)

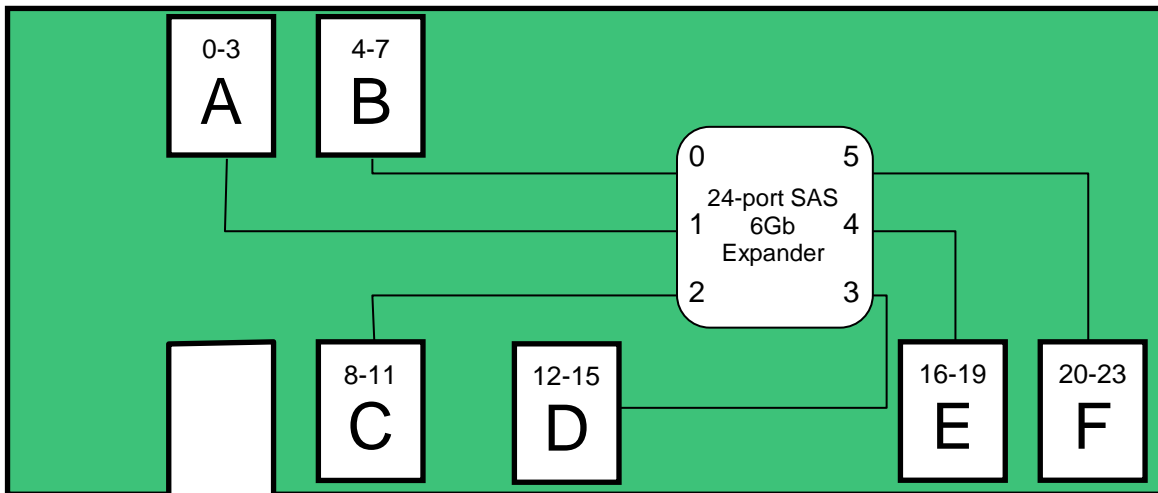


Figure 39. 24-Port Expander SAS Connector/Drive Identification Block Diagram

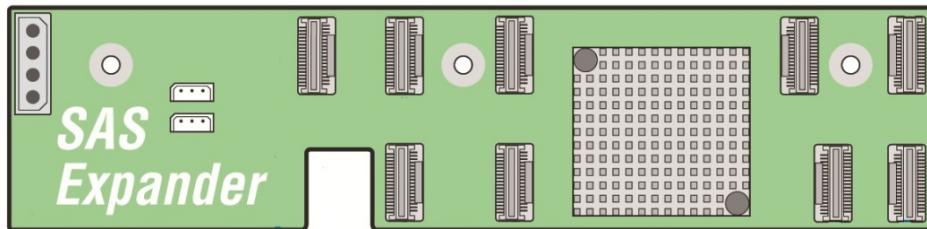


Figure 40. Internal 36-Port SAS Expander Card (RES2CV360)

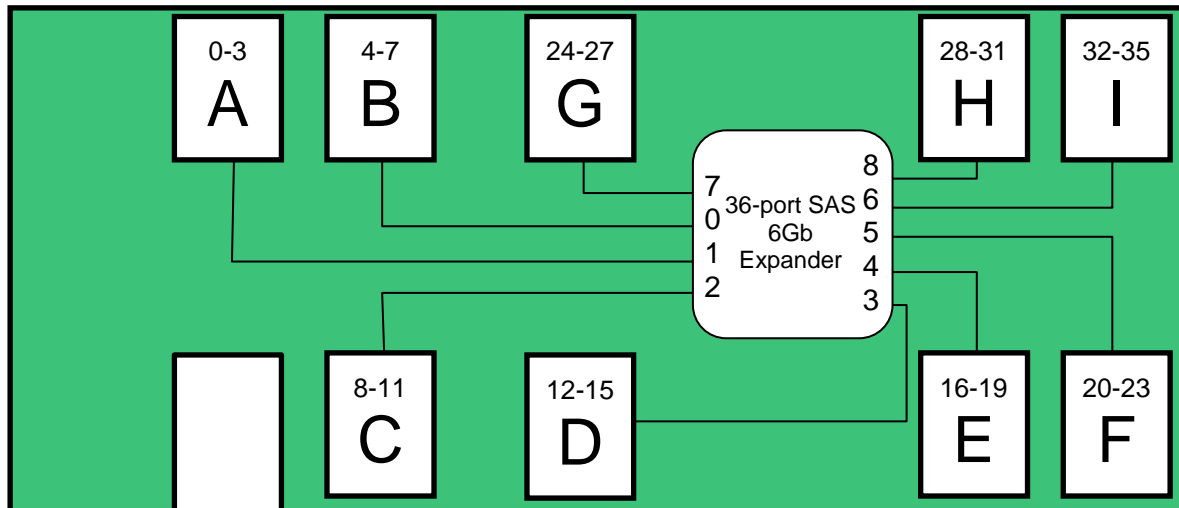


Figure 41. 36-Port Expander SAS Connector/Drive Identification Block Diagram

Each connector on the SAS expander card can be used as a “cable in” (SAS Controller to SAS Expander) or “cable out” (SAS Expander to Hot Swap Backplane) type connector. However, for contiguous drive mapping (0 – 16 or 0 – 24), cable routing differs when using a x8 wide-port capable 6 Gb SAS / SAS RAID Controller vs. using the embedded SCU ports.

7.4.3 SAS Expander Usage Guidelines

- SCU controller limitations prevent both SCU mini-SAS connectors on the server board from being attached to the same expander card.
- When attaching a SAS expander to one of the SCU mini-SAS connectors on the server board, the embedded RAID option must be configured as RSTe. The ESRT2 stack does not have SAS expander support.
- The RSTe stack supports booting from drives connected to an expander when the EFI Optimized Boot option is enabled in <F2> BIOS Setup (often referred to as UEFI boot). There are no restrictions on this configuration.
- Using Legacy mode BIOS for booting to targets attached through SAS expander card requires a BIOS update. Must connect the expander to SCU_0. Drives must be connected to ports 0&1 on RES2SV240 expander or A&B on RES2CV**0 for legacy mode boot support
- All Intel supported 6Gb SAS/RAID adapters can connect both quad-port connectors (x8 wide port) to the expander card.
- All Intel supported 3Gb SAS/RAID adapters may only connect a single quad-port connector (x4 wide port) to the expander card

7.4.4 Sample SAS Expander Configurations

Please reference the *Intel® Server System R2000BB Product Family Service Guide* for cable routing diagrams illustrating a variety of different storage configurations.

7.4.4.1 Cable Routing using the both embedded SCU ports and a SAS Expander Card (RSTe only)

SCU controller limitations prevent both SCU mini-SAS connectors on the server board from being attached to the same expander card. Therefore, in order to use both embedded SCU ports with a SAS expander card, one SCU port is connected directly to backplane and one SCU port is connected to the expander card.

To ensure contiguous drive mapping, cables should be routed as follows:

Config Option #1:

- The **SCU_0 (0-3)** connector is cabled to first connector on the hot swap backplane
- The **SCU_1 (4-7)** connector is cabled to **Connector A (RES2CV240 or RES2CV360) or Connector 0 (RES2SV240)** on the SAS expander card
- Cables from the SAS Expander to the hot swap backplane are connected in order starting with **Connector B (RES2CV240 or RES2CV360) or Connector 1 (RES2SV240)**

Config Option #2:

- The **SCU_0 (0-3)** connector is cabled the expander. Do not use connectors A&B (RES2CV240 or RES2CV360) or connectors 0&1 (RES2SV240) for the SCU.
- The **SCU_1 (4-7)** connector is not used, or can be connected directly to the backplane.
- Cables from the SAS Expander to the hot swap backplane are connected in order starting with **Connector A (RES2CV240 or RES2CV360) or Connector 0 (RES2SV240)**

7.4.4.2 Cable Routing using a x8 wide-port capable 6 Gb SAS / SAS RAID Controller and an expander card

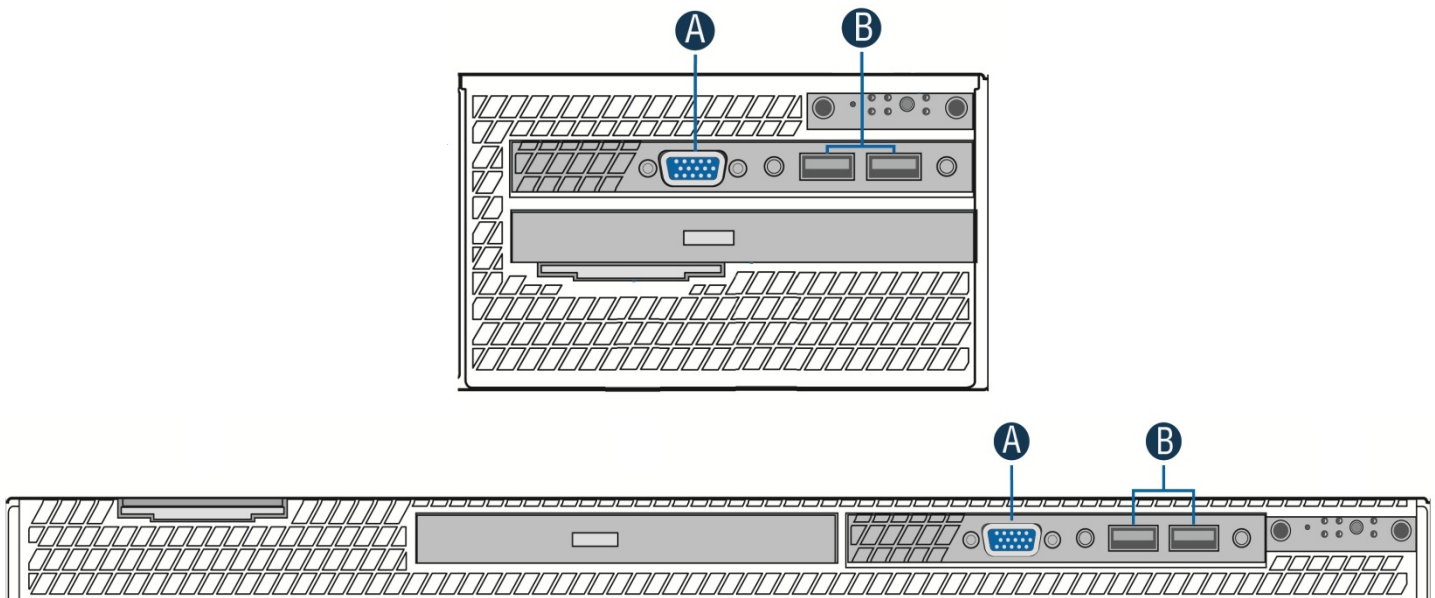
To ensure contiguous drive mapping when using a x8 wide-port capable 6 Gb SAS / SAS RAID Controller with the a SAS expander card, the system should may be cabled as follows:

- Cables from the SAS Expander to the hot swap backplane should be connected in order starting with **Connector A (RES2CV240 or RES2CV360) or Connector 0 (RES2SV240)**
- Once all connections from the SAS expander card to the backplane are made, the cables from the SAS controller can be attached to any of the remaining connectors on the SAS expander card

8. Front Control Panel and I/O Panel Overview

All system configurations will include a Control Panel on the front of the system providing push button system controls and LED indicators for several system features. Systems configured with eight 3.5" hard drive bays or up to sixteen 2.5" hard drive bays will also include an I/O Panel providing additional system I/O features. This section describes the features and functions of both front panel options.

8.1 I/O Panel Features



Label	Description
A	Video connector
B	USB ports

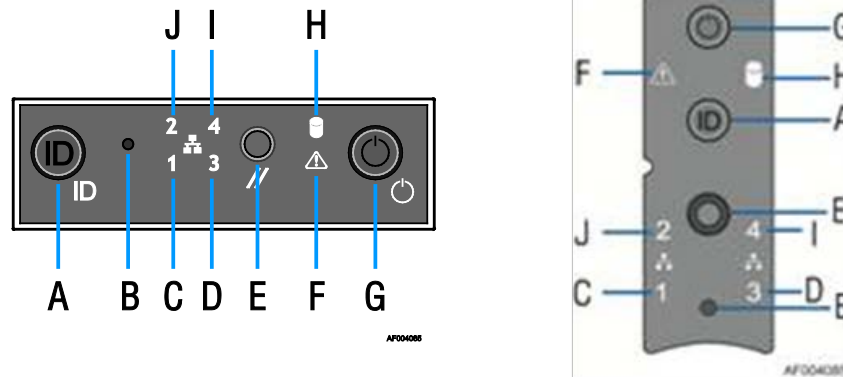
Figure 42. Front I/O Panel Features

A – Video connector – The front I/O Panel video connector gives the option of attaching a monitor to the front of the system. When BIOS detects that a monitor is attached to the front video connector, it disables the video signals routed to the on-board video connector on the back of the system. Video resolutions from the front video connector may be lower than that of the rear on-board video connector. A short video cable should be used for best resolution. The front video connector is cabled to a 2x7 header on the server board labeled “FP Video”.

B – USB Ports – The front I/O panel includes two USB ports. The USB ports are cabled to a 2x5 connector on the server board labeled “FP USB”.

8.2 Control Panel Features

The system includes a control panel that provides push button system controls and LED indicators for several system features. Depending on the hard drive configuration, the front control panel may come in either of two formats; however, both provide the same functionality. This section will provide a description for each front control panel feature.



Label	Description	Label	Description
A	System ID Button w/Integrated LED	F	System Status LED
B	NMI Button (recessed, tool required for use)	G	Power / Sleep Button w/Integrated LED
C	NIC-1 Activity LED	H	Hard Drive Activity LED
D	NIC-3 Activity LED	I	NIC-4 Activity LED
E	System Cold Reset Button	J	NIC-2 Activity LED

Figure 43. Front Control Panel Features

A – System ID Button w/Integrated LED – Toggles the integrated ID LED and the Blue server board ID LED on and off. The System ID LED is used to identify the system for maintenance when installed in a rack of similar server systems. The System ID LED can also be toggled on and off remotely using the IPMI “Chassis Identify” command which will cause the LED to blink for 15 seconds.

B – NMI Button – When the NMI button is pressed, it puts the server in a halt state and issues a non-maskable interrupt (NMI). This can be useful when performing diagnostics for a given issue where a memory download is necessary to help determine the cause of the problem. To prevent an inadvertent system halt, the actual NMI button is located behind the Front Control Panel faceplate where it is only accessible with the use of a small tipped tool like a pin or paper clip.

C, D, I and J – Network Activity LEDs – The Front Control Panel includes an activity LED indicator for each on-board Network Interface Controller (NIC). When a network link is detected, the LED will turn on solid. The LED will blink once network activity occurs at a rate that is consistent with the amount of network activity that is occurring.

E – System Cold Reset Button – When pressed, this button will reboot and re-initialize the system.

F – System Status LED – The System Status LED is a bi-color (Green/Amber) indicator that shows the current health of the server system. The system provides two locations for this feature; one is located on the Front Control Panel, the other is located on the back edge of the server board, viewable from the back of the system. Both LEDs are tied together and will show the same state. The System Status LED states are driven by the on-board platform management sub-system. The following table provides a description of each supported LED state.

Table 24. System Status LED State Definitions

Color	State	Criticality	Description
Off	System is not operating	Not ready	System is powered off (AC and/or DC). System is in EuP Lot6 Off Mode. System is in S5 Soft-Off State. System is in S4 Hibernate Sleep State.
Green	Solid on	Ok	Indicates that the System is running (in S0 State) and its status is 'Healthy'. The system is not exhibiting any errors. AC power is present and BMC has booted and manageability functionality is up and running.
Green	~1 Hz blink	Degraded - system is operating in a degraded state although still functional, or system is operating in a redundant state but with an impending failure warning	System degraded: Redundancy loss, such as power-supply or fan. Applies only if the associated platform sub-system has redundancy capabilities. Fan warning or failure when the number of fully operational fans is more than minimum number needed to cool the system. Non-critical threshold crossed – Temperature (including HSBP temp), voltage, input power to power supply, output current for main power rail from power supply and Processor Thermal Control (Therm Ctrl) sensors. Power supply predictive failure occurred while redundant power supply configuration was present. Unable to use all of the installed memory (one or more DIMMs failed/disabled but functional memory remains available) Correctable Errors over a threshold and migrating to a spare DIMM (memory sparing). This indicates that the user no longer has spared DIMMs indicating a redundancy lost condition. Corresponding DIMM LED lit. Uncorrectable memory error has occurred in memory Mirroring Mode, causing Loss of Redundancy. Correctable memory error threshold has been reached for a failing DDR3 DIMM when the system is operating in fully redundant RAS Mirroring Mode. Battery failure. BMC executing in uBoot. (Indicated by Chassis ID blinking at Blinking at 3Hz). System in degraded state (no manageability). BMC uBoot is running but has not transferred control to BMC Linux. Server will be in this state 6-8 seconds after BMC reset while it pulls the Linux image into flash BMC booting Linux. (Indicated by Chassis ID solid ON). System in degraded state (no manageability). Control has been passed from BMC uBoot to BMC Linux itself. It will be in this state for ~10~20 seconds. BMC Watchdog has reset the BMC. Power Unit sensor offset for configuration error is asserted. HDD HSC is off-line or degraded.
Amber	~1 Hz blink	Non-critical - System is operating in a degraded state with an impending failure warning, although still functioning	Non-fatal alarm – system is likely to fail: Critical threshold crossed – Voltage, temperature (including HSBP temp), input power to power supply, output current for main power rail from power supply and PROCHOT (Therm Ctrl) sensors. VRD Hot asserted. Minimum number of fans to cool the system not present or failed Hard drive fault Power Unit Redundancy sensor – Insufficient resources offset (indicates not enough power supplies present) In non-sparing and non-mirroring mode if the threshold of correctable errors is crossed within the window Correctable memory error threshold has been reached for a failing DDR3 DIMM when the system is operating in a non-redundant mode

Color	State	Criticality	Description
Amber	Solid on	Critical, non-recoverable – System is halted	Fatal alarm – system has failed or shutdown: CPU CATERR signal asserted MSID mismatch detected (CATERR also asserts for this case). CPU 1 is missing CPU Thermal Trip No power good – power fault DIMM failure when there is only 1 DIMM present and hence no good memory present ¹ . Runtime memory uncorrectable error in non redundant mode. DIMM Thermal Trip or equivalent SSB Thermal Trip or equivalent CPU ERR2 signal asserted BMC\Video memory test failed. (Chassis ID shows blue/solid-on for this condition) Both uBoot BMC FW images are bad. (Chassis ID shows blue/solid-on for this condition) 240VA fault Fatal Error in processor initialization: Processor family not identical Processor model not identical Processor core/thread counts not identical Processor cache size not identical Unable to synchronize processor frequency Unable to synchronize QPI link frequency

G – Power/Sleep Button – Toggles the system power on and off. This button also functions as a sleep button if enabled by an ACPI compliant operating system. Pressing this button will send a signal to the iBMC, which will either power on or power off the system. The integrated LED is a single color (Green) and is capable of supporting different indicator states as defined in the following table.

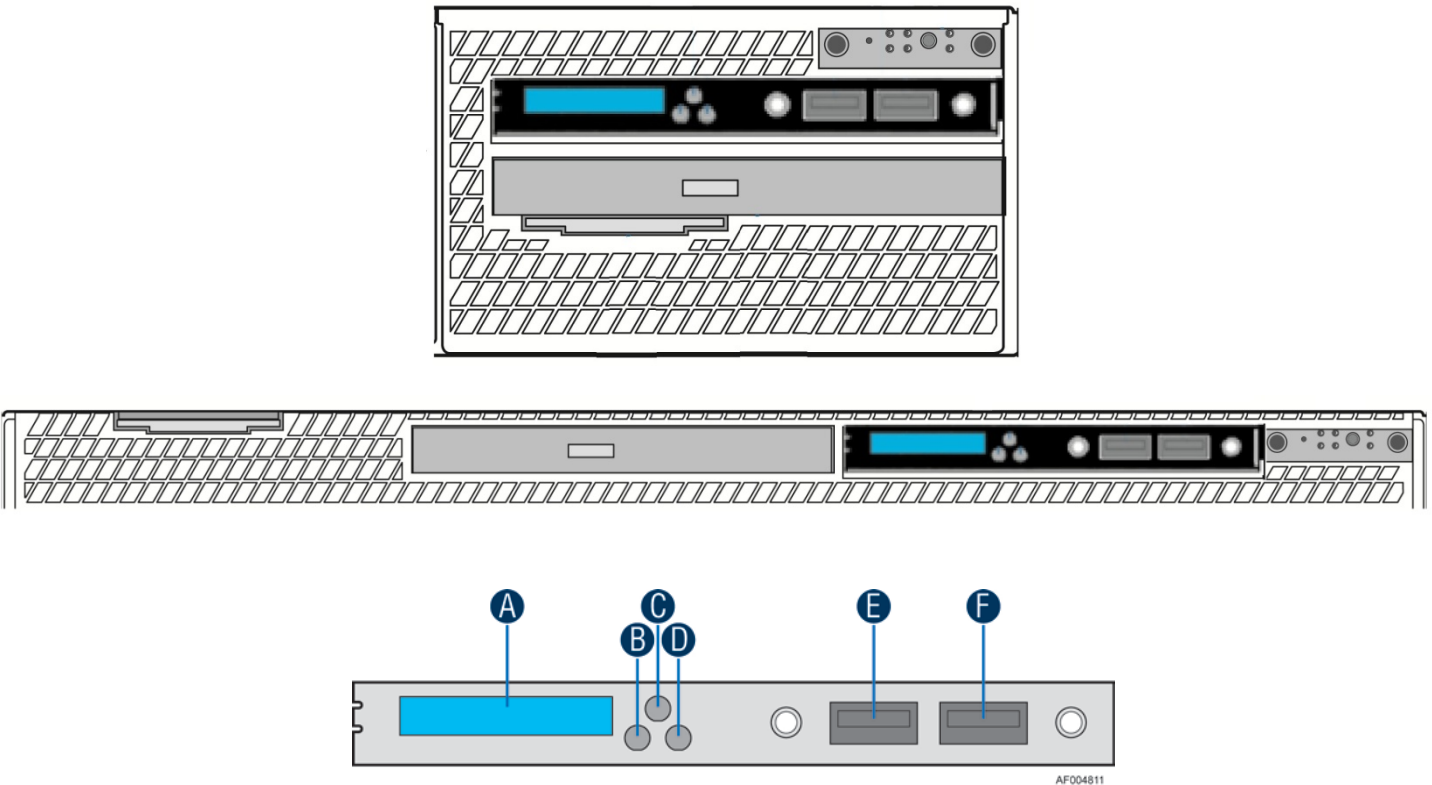
Table 25. Power/Sleep LED Functional States

State	Power Mode	LED	Description
Power-off	Non-ACPI	Off	System power is off, and the BIOS has not initialized the chipset.
Power-on	Non-ACPI	On	System power is on
S5	ACPI	Off	Mechanical is off, and the operating system has not saved any context to the hard disk.
S4	ACPI	Off	Mechanical is off. The operating system has saved context to the hard disk.
S3-S1	ACPI	Slow blink ¹	DC power is still on. The operating system has saved context and gone into a level of low-power state.
S0	ACPI	Steady on	System and the operating system are up and running.

H- Drive Activity LED - The drive activity LED on the front panel indicates drive activity from the on-board hard disk controllers. The server board also provides a header giving access to this LED for add-in controllers.

9. Intel® Local Control Panel

The Intel® Local Control Panel option (Intel Product Order Code – **A1U2ULCP**) utilizes a combination of control buttons and LCD display to provide system accessibility and monitoring.



Label	Description	Functionality
A	LCD Display	one line 18 character display
B	Left Control Button	moves the cursor backward one step or one character
C	“Enter” Button	selects the menu item highlighted by the cursor
D	Right Control Button	moves the cursor forward one step or one character
E	USB 2.0 Port	
F	USB 2.0 Port	

Figure 44. Intel® Local Control Panel Option

The LCD (Local Control Display) is a one line character display that resides on the front panel of the chassis. It can display a maximum of 16 characters at a time. This device also contains 3 buttons (Left, Right and Enter). The user can select the content that needs to be displayed on the LCD screen by operating these buttons.

For a complete description of the LCP accessory, please reference the *Intel® Local Control Panel for EPSSD Platforms Based on Intel® Xeon® Processor E5 4600/2600/2400/1600/1400 Product Families Technical Product Specification*. (Intel document order number G83726-001)

10. PCI Riser Card Support

The system includes two riser card slots on the server board. Riser cards for this server are NOT interchangeable between riser slots. This section will provide an overview of each available riser card and describe the server board features and architecture supporting them.

10.1 Architectural Overview of the Server Board Riser Slots

The server board includes two riser card slots labeled “RISER_Slot_1” and “RISER_Slot_2”. The following diagrams illustrate the general server board architecture supporting these two slots.

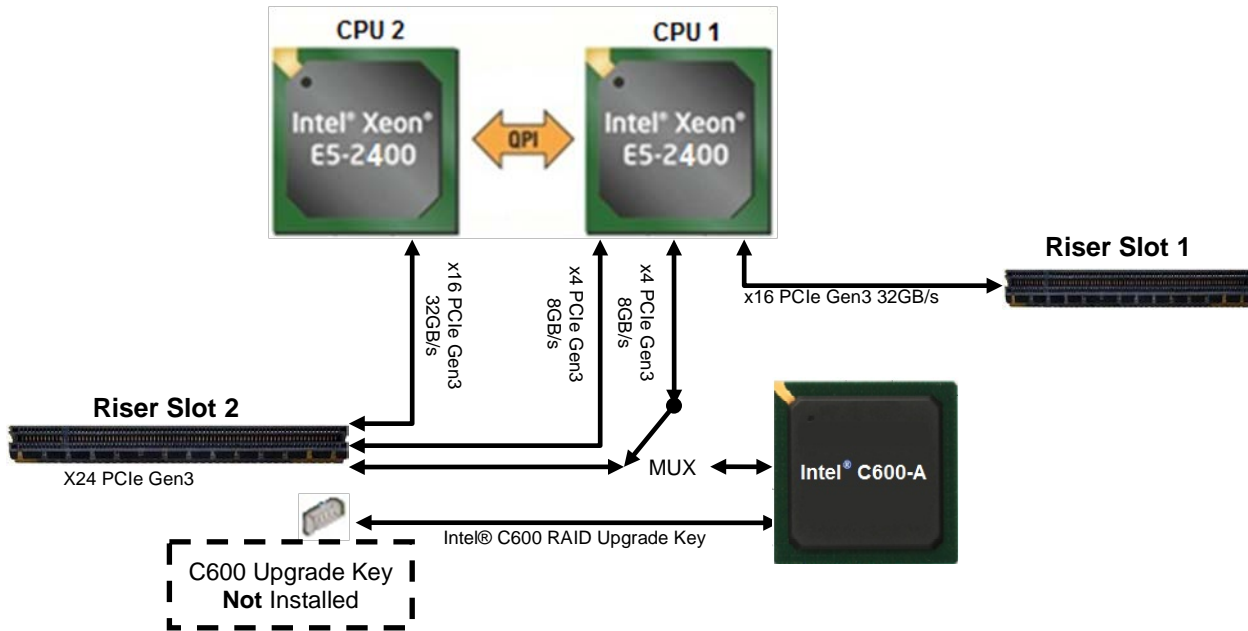


Figure 45. Riser Slot Architecture – Intel® C600 Upgrade Key NOT Installed

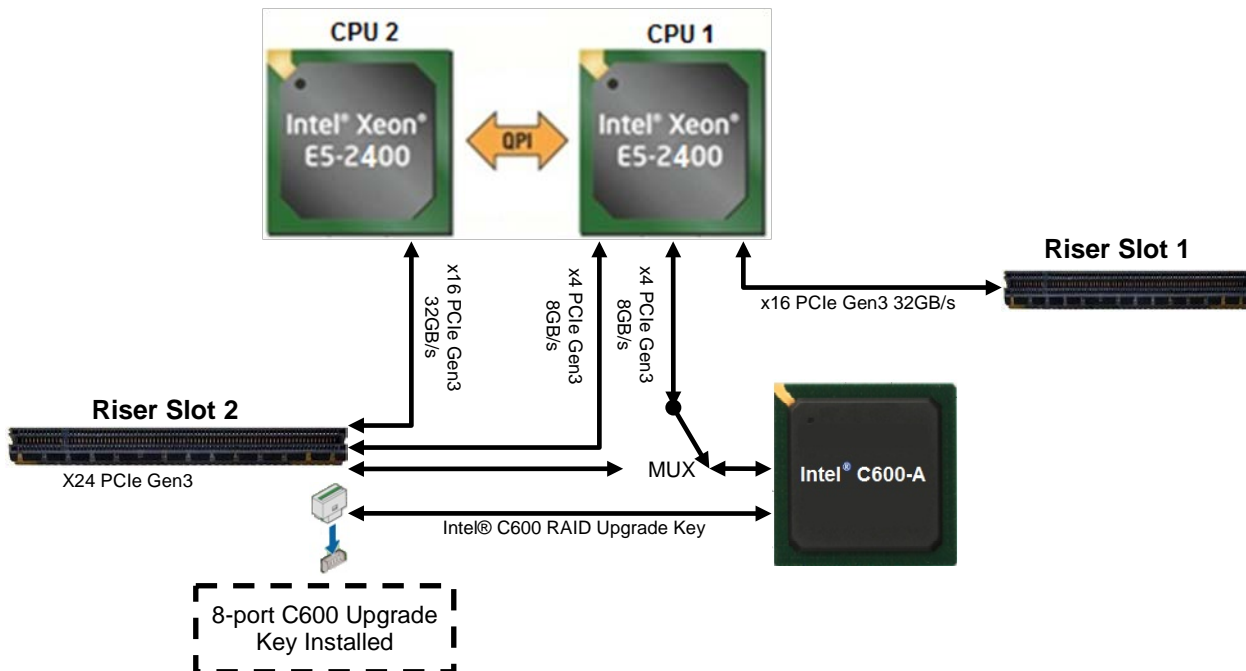


Figure 46. Riser Slot Architecture - Intel® C600 Upgrade Key Installed

CPU #1 provides Riser Slot #1 with x16 PCIe bus lanes which can be bifurcated to support multi-slot riser cards.

The number of PCIe lanes routed to Riser Slot #2 is dependent on the system configuration. In a single processor configuration, CPU #1 will route x8 (default) bus lanes to Riser Slot #2. However, should the system be configured with an optionally installed 8-port Intel® C600 Upgrade Key, four of eight PCIe bus lanes from CPU #1 will be routed via a multiplexor to the Intel® C602 chipset to support the embedded 8-port SCU SATA/SAS controller. With CPU #2 installed, an additional x16 PCIe bus lanes are routed to Riser Slot #2. All available PCIe lanes routed to Riser Slot #2 can be bifurcated to support multi-slot riser cards. See the following diagram to determine PCI bus lane routing for each riser card.

NOTE: The riser card slots on the server board are designed to support riser cards only. Inserting a PCIe add-in card directly into the riser card slot on the server board will result in damage to the server board, the add-in card, or both. PCIe add-in cards should only be installed into a supported riser card assembly.

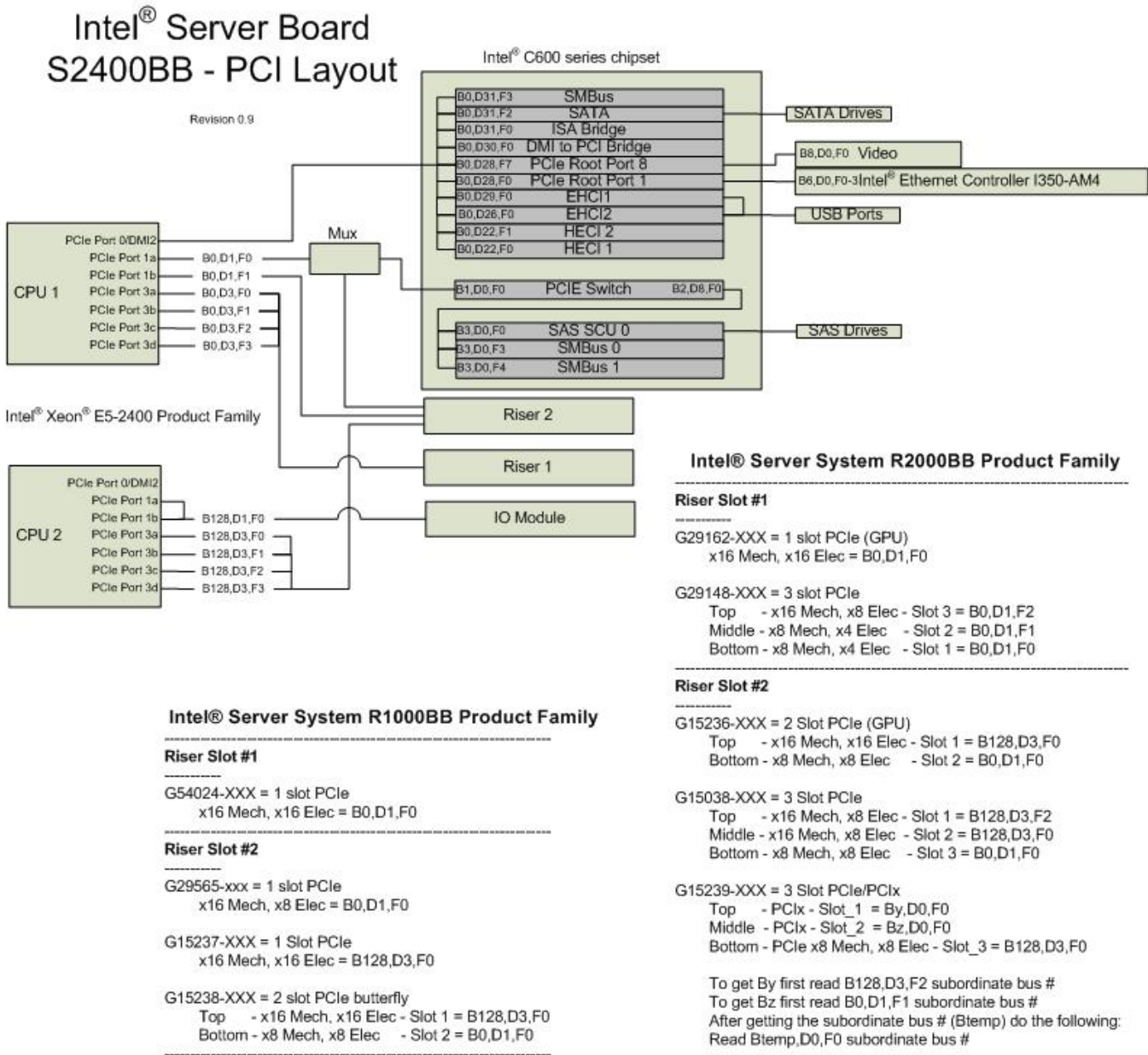


Figure 47. Intel® Server Board S2400BB PCI Bus Layout Diagram

10.2 Riser Card Support

The system has concurrent support for two riser cards. Each riser card is mounted to a bracket assembly and is installed into the system by aligning the edge connector of the riser card with the matching slot connector on the server board, and with hooks on the bracket assembly to slots on the back edge of the chassis.

Two card guide brackets on the air duct provide support for Full Height / Full Length PCIe add-in cards installed in the top and middle slots of each installed riser card assembly.

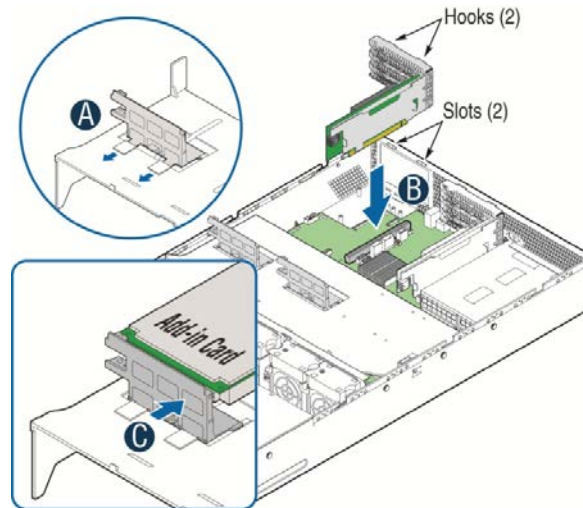


Figure 48. Full Height / Full Length Add-in Card Support

Caution: Riser cards are NOT interchangeable between Riser Slot #1 and Riser Slot #2. The riser card assembly for Riser #1 will include a mechanical block to prevent accidental insertion into Riser Slot #2.

Do not install a riser card designed for Riser Slot #1 into Riser Slot #2. Doing so will electrically damage the riser card, riser slot, or both.

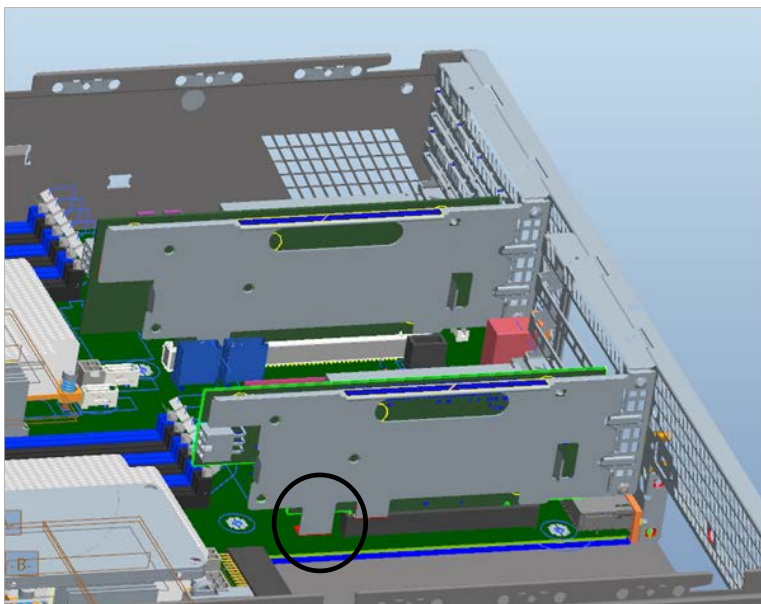
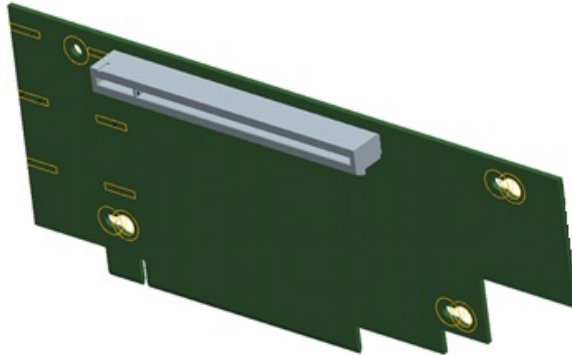


Figure 49. Riser Card #1 Assembly Showing Mechanical Block

10.3 Riser Card Options – Riser Slot #1

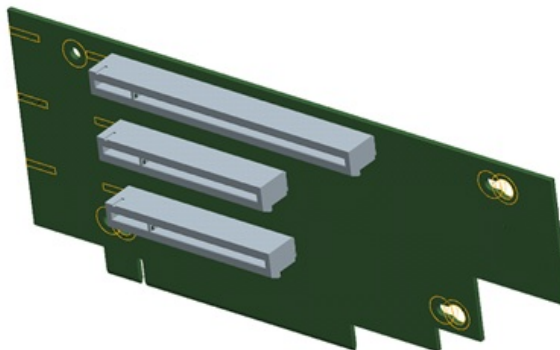
All x16 PCIe bus lanes for Riser Slot #1 on the server board are routed from CPU #1. Riser cards designed for Riser Slot #1 include the following.

10.3.1 1-Slot PCIe Riser Card (Required for Intel® Xeon Phi™ and GPGPU Support)



Slot #	Description	PCI Lane Routing Riser Slot #1
Slot-1 (Top)	PCIe x16 lanes, x16 slot	CPU 1

10.3.2 3-Slot PCIe Riser Card

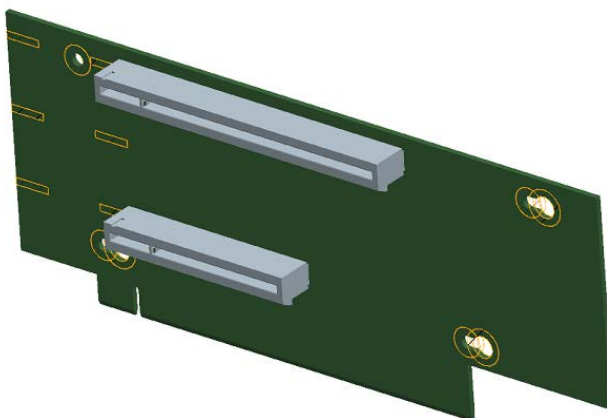


Slot #	Description	PCI Lane Routing Riser Slot #1
Slot-1 (Top)	PCIe x8 lanes, x16 slot	CPU 1
Slot-2 (Middle)	PCIe x4 lanes, x8 slot	CPU 1
Slot-3 (Bottom)	PCIe x4 lanes, x8 slot	CPU 1

10.4 Riser Card Options – Riser Slot #2

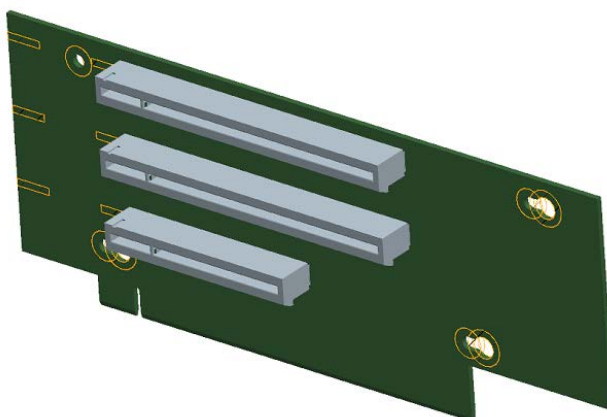
The number of PCIe bus lanes routed to Riser Slot #2 is dependent on the system configuration. In a single processor configuration, CPU #1 will route x8 PCIe (default) bus lanes to the bottom x8 PCIe add-in slot. However, should the system be configured with an 8-port Intel® C600 Upgrade Key, four of eight PCIe bus lanes from CPU #1 will be routed via a multiplexor to the Intel® C602 chipset to support the embedded 8-port SCU SATA/SAS controller. With CPU #2 installed, an additional x16 PCIe bus lanes are routed to support the other PCIe add-in card slots on the riser. Riser cards designed for Riser Slot #2 include the following.

10.4.1 2-Slot PCIe Riser Card (Required for Intel® Xeon Phi™ and GPGPU Support)



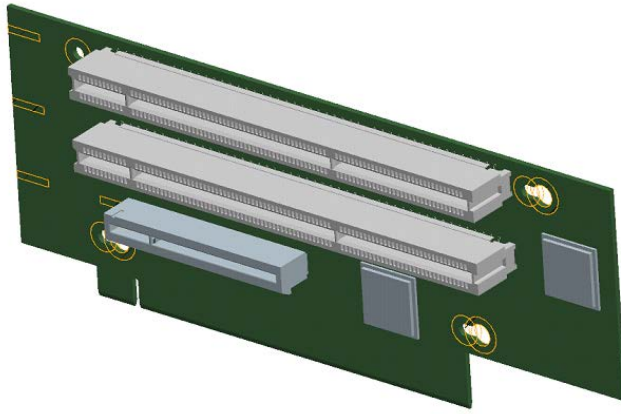
Slot #	Description	PCI Lane Routing Riser Slot #2
Slot-1 (Top)	PCIe x16 lanes, x16 slot	CPU 2
Slot-2 (Bottom)	PCIe x8 lanes, x8 slot	CPU 1 with no RAID key
Slot-2 (Bottom)	PCIe x4 lanes, x8 slot	CPU 1 with 8-port RAID key

10.4.2 3-Slot PCIe Riser Card



Slot #	Description	PCI Lane Routing Riser Slot #2
Slot-1 (Top)	PCIe x8 lanes, x16 slot	CPU 2
Slot-2 (Middle)	PCIe x8 lanes, x16 slot	CPU 2
Slot-3 (Bottom)	PCIe x8 lanes, x8 slot	CPU 1 with no RAID Key installed
Slot-3 (Bottom)	PCIe x4 lanes, x8 slot	CPU 1 with 8-port RAID Key installed

10.4.3 3-Slot PCIx / PCIe Riser Card



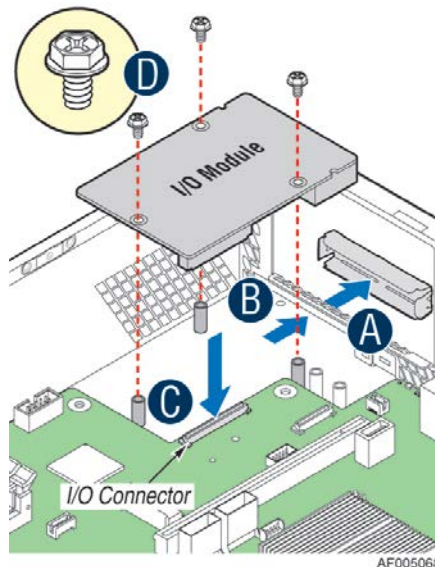
Slot #	Description	PCI Lane Routing Riser Slot #2
Slot-1 (Top)	PCIx 133MHz	CPU 2
Slot-2 (Middle)	PCIx133 MHz	CPU 1
Slot-3 (Bottom)	PCIe x8 lanes, x8 slot	CPU 2

11. Mezzanine Module Support

11.1 IO Module Support

In addition to the embedded I/O features of the server board, and those available with the addition of a PCIe add-in card, the server also provides concurrent support of an optionally installed mezzanine I/O module.

Note: I/O modules can only be supported in dual processor configurations.



The following table lists the Intel® I/O modules available for this server.

Product Code	Description
AXX10GBNIAIOM	Dual SFP+ port 10GbE IO Module based on Intel® 82599 10GbE Ethernet Controller
AXX10GBTWLIOM	Dual RJ-45 port 10GBase-T I/O Module based on Intel® Ethernet Controller x540
AXX1FDRIBIOM	Single Port FDR 56GT/S speed InfiniBand module with QSFP connector
AXX2FDRIBIOM	Dual port FDR 56GT/S speed infiniband module with QSFP connector
AXX4P1GBPWL IOM	Quad Port 1GbE I/O Module based on Intel® Ethernet Controller I350

11.2 Intel® Remote Management Module 4 (RMM4) Lite and Management NIC Support

The integrated baseboard management controller has support for advanced management features which are enabled when an optional Intel® Remote Management Module 4 (RMM4) is installed.

RMM4 is comprised of two boards – RMM4 lite and the optional Dedicated Server Management NIC (DMN).

Intel Product Code	Description	Kit Contents	Benefits
AXXRMM4LITE	Intel® Remote Management Module 4 Lite	RMM4 Lite Activation Key	Enables KVM & media redirection via onboard NIC
AXXRMM4R	Intel® Remote Management Module 4	RMM4 Lite Activation Key Dedicated NIC Port Module	Dedicated NIC for management traffic. Higher bandwidth connectivity for KVM & media Redirection with 1Gbe NIC.

On the server board each Intel® RMM4 component is installed at the following locations.

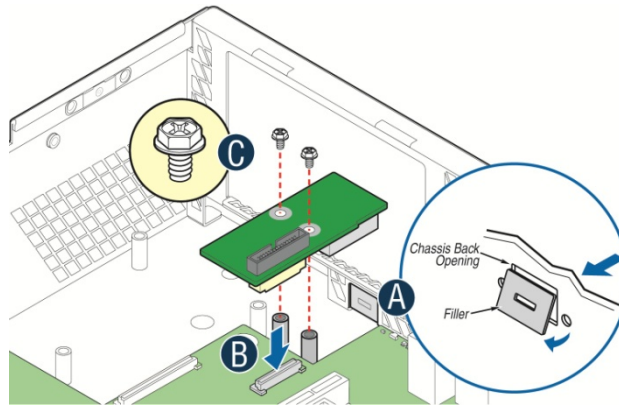


Figure 50. Intel® RMM4 Dedicated Management NIC Installation

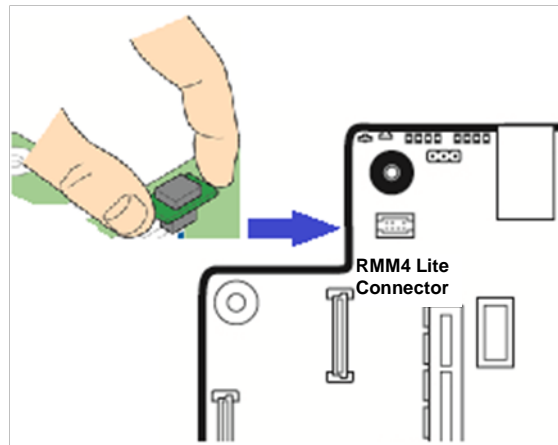


Figure 51. Intel® RMM4 Lite Activation Key Installation

Table 26. Enabling Advanced Management Features

Manageability Hardware	Benefits
Intel® Integrated BMC	Comprehensive IPMI based base manageability features
Intel® Remote Management Module 4 – Lite Package contains one module – 1- Key for advance Manageability features.	No dedicated NIC for management Enables KVM & media redirection via onboard NIC
Intel® Remote Management Module 4 Package includes 2 modules – 1 - key for advance features 2 - Dedicated NIC (1Gbe) for management	Dedicated NIC for management traffic. Higher bandwidth connectivity for KVM & media Redirection with 1Gbe NIC.

For further RMM4 information, please refer to the following documents:

- *Intel® Server Board S2400BB Technical Product Specification*
- *Intel® Remote Management Module 4 Technical Product Specification*
- *Intel® Remote Management Module 4 and Integrated BMC Web Console Users Guide*

Appendix A: Integration and Usage Tips

This section provides a list of useful information that is unique to the Intel® Server System R2000BB Product Family and should be kept in mind while configuring your server system.

- Only the Intel® Xeon® processor E5-2400 product family is supported in this Intel server system. Previous generation Intel® Xeon® processors are not supported.
- For best system performance, follow memory population guidelines as specified in the *Intel® Server Board S2400BB Technical Product Specification*.
- For best system performance, follow all thermal configuration guidelines as specified in this document.
- The Mini-SAS connector labeled “SCU_1” on the server board is only functional when an appropriate Intel® RAID C600 Upgrade Key is installed.
- Many integrated on-board SAS and RAID options are available by installing any of several available Intel® RAID C600 Upgrade Keys.
- The riser cards for Riser Slot #1 and Riser Slot #2 are **NOT** interchangeable.
- The embedded platform management system may not operate as expected if the platform is not updated with accurate system configuration data. The FRUSDR utility must be run with the system fully configured and each time the system configuration changes for accurate system monitoring and event reporting.
- Make sure the latest system software is loaded on the server. This includes System BIOS, BMC Firmware, ME Firmware and FRUSDR. The latest system software can be downloaded from the [Http://www.intel.com/support](http://www.intel.com/support) web site.

Appendix B: POST Code Diagnostic LED Decoder

As an aid to assist in trouble shooting a system hang that occurs during a system's Power-On Self Test (POST) process, the server board includes a bank of eight POST Code Diagnostic LEDs on the back edge of the server board.

During the system boot process, Memory Reference Code (MRC) and System BIOS execute a number of memory initialization and platform configuration processes, each of which is assigned a specific hex POST code number. As each routine is started, the given POST code number is displayed to the POST Code Diagnostic LEDs on the back edge of the server board.

During a POST system hang, the displayed post code can be used to identify the last POST routine that was run prior to the error occurring, helping to isolate the possible cause of the hang condition.

Each POST code is represented by eight LEDs; four Green and four Amber. The POST codes are divided into two nibbles, an upper nibble and a lower nibble. The upper nibble bits are represented by Amber Diagnostic LEDs #4, #5, #6, #7. The lower nibble bits are represented by Green Diagnostics LEDs #0, #1, #2 and #3. If the bit is set in the upper and lower nibbles, the corresponding LED is lit. If the bit is clear, the corresponding LED is off.

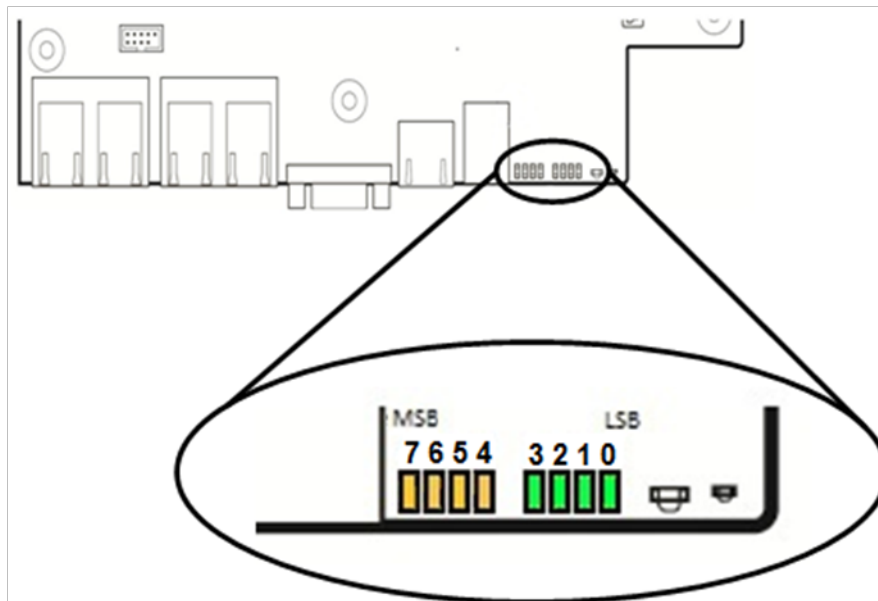


Figure 52. POST Diagnostic LED Location

In the following example, the BIOS sends a value of ACh to the diagnostic LED decoder. The LEDs are decoded as follows:

Table 27. POST Progress Code LED Example

LEDs	Upper Nibble AMBER LEDs				Lower Nibble GREEN LEDs			
	MSB LED #7	LED #6	LED #5	LED #4	LED #3	LED #2	LED #1	LSB LED #0
	8h	4h	2h	1h	8h	4h	2h	1h
Status	ON	OFF	ON	OFF	ON	ON	OFF	OFF
Results	1	0	1	0	1	1	0	0
	Ah				Ch			

- Upper nibble bits = 1010b = Ah; Lower nibble bits = 1100b = Ch; the two are concatenated as ACh.

Table 28. Diagnostic LED POST Code Decoder

Checkpoint	Diagnostic LED Decoder								Description
	1 = LED On, 0 = LED Off								
	Upper Nibble				Lower Nibble				
LED #	MSB			LSB					
	8h	4h	2h	1h	8h	4h	2h	1h	
LED #	#7	#6	#5	#4	#3	#2	#1	#0	
SEC Phase									
01h	0	0	0	0	0	0	0	1	First POST code after CPU reset
02h	0	0	0	0	0	0	1	0	Microcode load begin
03h	0	0	0	0	0	0	1	1	CRAM initialization begin
04h	0	0	0	0	0	1	0	0	Pei Cache When Disabled
05h	0	0	0	0	0	1	0	1	SEC Core At Power On Begin.
06h	0	0	0	0	0	1	1	0	Early CPU initialization during Sec Phase.
07h	0	0	0	0	0	1	1	1	Early SB initialization during Sec Phase.
08h	0	0	0	0	1	0	0	0	Early NB initialization during Sec Phase.
09h	0	0	0	0	1	0	0	1	End Of Sec Phase.
0Eh	0	0	0	0	1	1	1	0	Microcode Not Found.
0Fh	0	0	0	0	1	1	1	1	Microcode Not Loaded.
PEI Phase									
10h	0	0	0	1	0	0	0	0	PEI Core
11h	0	0	0	1	0	0	0	1	CPU PEIM
15h	0	0	0	1	0	1	0	1	NB PEIM
19h	0	0	0	1	1	0	0	1	SB PEIM
MRC Process Codes – MRC Progress Code Sequence is executed - See Table 28									
PEI Phase continued...									
31h	0	0	1	1	0	0	0	1	Memory Installed
32h	0	0	1	1	0	0	1	0	CPU PEIM (Cpu Init)
33h	0	0	1	1	0	0	1	1	CPU PEIM (Cache Init)
34h	0	0	1	1	0	1	0	0	CPU PEIM (BSP Select)
35h	0	0	1	1	0	1	0	1	CPU PEIM (AP Init)
36h	0	0	1	1	0	1	1	0	CPU PEIM (CPU SMM Init)
4Fh	0	1	0	0	1	1	1	1	Dxe IPL started
DXE Phase									
60h	0	1	1	0	0	0	0	0	DXE Core started
61h	0	1	1	0	0	0	0	1	DXE NVRAM Init
62h	0	1	1	0	0	0	1	0	SB RUN Init
63h	0	1	1	0	0	0	1	1	Dxe CPU Init
68h	0	1	1	0	1	0	0	0	DXE PCI Host Bridge Init
69h	0	1	1	0	1	0	0	1	DXE NB Init
6Ah	0	1	1	0	1	0	1	0	DXE NB SMM Init
70h	0	1	1	1	0	0	0	0	DXE SB Init
71h	0	1	1	1	0	0	0	1	DXE SB SMM Init
72h	0	1	1	1	0	0	1	0	DXE SB devices Init
78h	0	1	1	1	1	0	0	0	DXE ACPI Init
79h	0	1	1	1	1	0	0	1	DXE CSM Init
90h	1	0	0	1	0	0	0	0	DXE BDS Started
91h	1	0	0	1	0	0	0	1	DXE BDS connect drivers
92h	1	0	0	1	0	0	1	0	DXE PCI Bus begin
93h	1	0	0	1	0	0	1	1	DXE PCI Bus HPC Init
94h	1	0	0	1	0	1	0	0	DXE PCI Bus enumeration
95h	1	0	0	1	0	1	0	1	DXE PCI Bus resource requested
96h	1	0	0	1	0	1	1	0	DXE PCI Bus assign resource
97h	1	0	0	1	0	1	1	1	DXE CON_OUT connect
98h	1	0	0	1	1	0	0	0	DXE CON_IN connect
99h	1	0	0	1	1	0	0	1	DXE SIO Init
9Ah	1	0	0	1	1	0	1	0	DXE USB start
9Bh	1	0	0	1	1	0	1	1	DXE USB reset
9Ch	1	0	0	1	1	1	0	0	DXE USB detect
9Dh	1	0	0	1	1	1	0	1	DXE USB enable
A1h	1	0	1	0	0	0	0	1	DXE IDE begin
A2h	1	0	1	0	0	0	1	0	DXE IDE reset

Checkpoint	Diagnostic LED Decoder								Description
	1 = LED On, 0 = LED Off								
	Upper Nibble				Lower Nibble				
	MSB							LSB	
LED #	8h	4h	2h	1h	8h	4h	2h	1h	
A3h	1	0	1	0	0	0	1	1	DXE IDE detect
A4h	1	0	1	0	0	1	0	0	DXE IDE enable
A5h	1	0	1	0	0	1	0	1	DXE SCSI begin
A6h	1	0	1	0	0	1	1	0	DXE SCSI reset
A7h	1	0	1	0	0	1	1	1	DXE SCSI detect
A8h	1	0	1	0	1	0	0	0	DXE SCSI enable
A9h	1	0	1	0	1	0	0	1	DXE verifying SETUP password
ABh	1	0	1	0	1	0	1	1	DXE SETUP start
ACh	1	0	1	0	1	1	0	0	DXE SETUP input wait
ADh	1	0	1	0	1	1	0	1	DXE Ready to Boot
A Eh	1	0	1	0	1	1	1	0	DXE Legacy Boot
AFh	1	0	1	0	1	1	1	1	DXE Exit Boot Services
B0h	1	0	1	1	0	0	0	0	RT Set Virtual Address Map Begin
B1h	1	0	1	1	0	0	0	1	RT Set Virtual Address Map End
B2h	1	0	1	1	0	0	1	0	DXE Legacy Option ROM init
B3h	1	0	1	1	0	0	1	1	DXE Reset system
B4h	1	0	1	1	0	1	0	0	DXE USB Hot plug
B5h	1	0	1	1	0	1	0	1	DXE PCI BUS Hot plug
B6h	1	0	1	1	0	1	1	0	DXE NVRAM cleanup
B7h	1	0	1	1	0	1	1	1	DXE Configuration Reset
00h	0	0	0	0	0	0	0	0	INT19
S3 Resume									
E0h	1	1	1	0	0	0	0	0	S3 Resume PEIM (S3 started)
E1h	1	1	1	0	0	0	0	1	S3 Resume PEIM (S3 boot script)
E2h	1	1	1	0	0	0	1	0	S3 Resume PEIM (S3 Video Repost)
E3h	1	1	1	0	0	0	1	1	S3 Resume PEIM (S3 OS wake)
BIOS Recovery									
F0h	1	1	1	1	0	0	0	0	PEIM which detected forced Recovery condition
F1h	1	1	1	1	0	0	0	1	PEIM which detected User Recovery condition
F2h	1	1	1	1	0	0	1	0	Recovery PEIM (Recovery started)
F3h	1	1	1	1	0	0	1	1	Recovery PEIM (Capsule found)
F4h	1	1	1	1	0	1	0	0	Recovery PEIM (Capsule loaded)

POST Memory Initialization MRC Diagnostic Codes

There are two types of POST Diagnostic Codes displayed by the MRC during memory initialization; Progress Codes and Fatal Error Codes.

The MRC Progress Codes are displays to the Diagnostic LEDs that show the execution point in the MRC operational path at each step.

Table 29. MRC Progress Codes

Checkpoint	Diagnostic LED Decoder								Description
	1 = LED On, 0 = LED Off								
	Upper Nibble				Lower Nibble				
	MSB							LSB	
	8h	4h	2h	1h	8h	4h	2h	1h	
LED	#7	#6	#5	#4	#3	#2	#1	#0	
MRC Progress Codes									
B0h	1	0	1	1	0	0	0	0	Detect DIMM population
B1h	1	0	1	1	0	0	0	1	Set DDR3 frequency
B2h	1	0	1	1	0	0	1	0	Gather remaining SPD data
B3h	1	0	1	1	0	0	1	1	Program registers on the memory controller level
B4h	1	0	1	1	0	1	0	0	Evaluate RAS modes and save rank information
B5h	1	0	1	1	0	1	0	1	Program registers on the channel level
B6h	1	0	1	1	0	1	1	0	Perform the JEDEC defined initialization sequence
B7h	1	0	1	1	0	1	1	1	Train DDR3 ranks
B8h	1	0	1	1	1	0	0	0	Initialize CLTT/OLTT
B9h	1	0	1	1	1	0	0	1	Hardware memory test and init
BAh	1	0	1	1	1	0	1	0	Execute software memory init
BBh	1	0	1	1	1	0	1	1	Program memory map and interleaving
BCh	1	0	1	1	1	1	0	0	Program RAS configuration
BFh	1	0	1	1	1	1	1	1	MRC is done

Memory Initialization at the beginning of POST includes multiple functions, including: discovery, channel training, validation that the DIMM population is acceptable and functional, initialization of the IMC and other hardware settings, and initialization of applicable RAS configurations.

When a major memory initialization error occurs and prevents the system from booting with data integrity, a beep code is generated, the MRC will display a fatal error code on the diagnostic LEDs, and a system halt command is executed. Fatal MRC error halts do NOT change the state of the System Status LED, and they do NOT get logged as SEL events. The following table lists all MRC fatal errors that are displayed to the Diagnostic LEDs.

Table 30. MRC Fatal Error Codes

Checkpoint	Diagnostic LED Decoder								Description
	1 = LED On, 0 = LED Off								
	Upper Nibble				Lower Nibble				
	MSB							LSB	
	8h	4h	2h	1h	8h	4h	2h	1h	
LED	#7	#6	#5	#4	#3	#2	#1	#0	
MRC Fatal Error Codes									
E8h	1	1	1	0	1	0	0	0	No usable memory error 01h = No memory was detected via SPD read, or invalid config that causes no operable memory. 02h = Memory DIMMs on all channels of all sockets are disabled due to hardware memtest error. 3h = No memory installed. All channels are disabled.
E9h	1	1	1	0	1	0	0	1	Memory is locked by Intel Trusted Execution Technology and is inaccessible
EAh	1	1	1	0	1	0	1	0	DDR3 channel training error 01h = Error on read DQ/DQS (Data/Data Strobe) init 02h = Error on Receive Enable 3h = Error on Write Leveling 04h = Error on write DQ/DQS (Data/Data Strobe)
EBh	1	1	1	0	1	0	1	1	Memory test failure 01h = Software memtest failure. 02h = Hardware memtest failed. 03h = Hardware Memtest failure in Lockstep Channel mode requiring a channel to be disabled. <i>This is a fatal error which requires a reset and calling MRC with a different RAS mode to retry.</i>
EDh	1	1	1	0	1	1	0	1	DIMM configuration population error 01h = Different DIMM types (UDIMM, RDIMM, LRDIMM) are detected installed in the system. 02h = Violation of DIMM population rules. 03h = The 3rd DIMM slot can not be populated when QR DIMMs are installed. 04h = UDIMMs are not supported in the 3rd DIMM slot. 05h = Unsupported DIMM Voltage.
EFh	1	1	1	0	1	1	1	1	Indicates a CLTT table structure error

Appendix C: POST Code Errors

Most error conditions encountered during POST are reported using **POST Error Codes**. These codes represent specific failures, warnings, or are informational. POST Error Codes may be displayed in the Error Manager display screen, and are always logged to the System Event Log (SEL). Logged events are available to System Management applications, including Remote and Out of Band (OOB) management.

There are exception cases in early initialization where system resources are not adequately initialized for handling POST Error Code reporting. These cases are primarily Fatal Error conditions resulting from initialization of processors and memory, and they are handed by a Diagnostic LED display with a system halt.

The following table lists the supported POST Error Codes. Each error code is assigned an error type which determines the action the BIOS will take when the error is encountered. Error types include Minor, Major, and Fatal. The BIOS action for each is defined as follows:

- **Minor:** The error message is displayed on the screen or on the Error Manager screen, and an error is logged to the SEL. The system continues booting in a degraded state. The user may want to replace the erroneous unit. The POST Error Pause option setting in the BIOS setup does not have any effect on this error.
- **Major:** The error message is displayed on the Error Manager screen, and an error is logged to the SEL. The POST Error **P**ause option setting in the BIOS setup determines whether the system pauses to the Error Manager for this type of error so the user can take immediate corrective action or the system continues booting.

Note that for 0048 “Password check failed”, the system halts, and then after the next reset/reboot will displays the error code on the Error Manager screen.

- **Fatal:** The system halts during post at a blank screen with the text “**Unrecoverable fatal error found. System will not boot until the error is resolved**” and “**Press <F2> to enter setup**” The POST Error Pause option setting in the BIOS setup does not have any effect with this class of error.

When the operator presses the **F2** key on the keyboard, the error message is displayed on the Error Manager screen, and an error is logged to the SEL with the error code. The system cannot boot unless the error is resolved. The user needs to replace the faulty part and restart the system.

NOTE: The POST error codes in the following table are common to all current generation Intel server platforms. Features present on a given server board/system will determine which of the listed error codes are supported.

Table 31. POST Error Messages and Handling

Error Code	Error Message	Response
0012	System RTC date/time not set	Major
0048	Password check failed	Major
0140	PCI component encountered a PERR error	Major
0141	PCI resource conflict	Major
0146	PCI out of resources error	Major
0191	Processor core/thread count mismatch detected	Fatal
0192	Processor cache size mismatch detected	Fatal
0194	Processor family mismatch detected	Fatal
0195	Processor Intel(R) QPI link frequencies unable to synchronize	Fatal
0196	Processor model mismatch detected	Fatal
0197	Processor frequencies unable to synchronize	Fatal
5220	BIOS Settings reset to default settings	Major
5221	Passwords cleared by jumper	Major

Error Code	Error Message	Response
5224	Password clear jumper is Set	Major
8130	Processor 01 disabled	Major
8131	Processor 02 disabled	Major
8132	Processor 03 disabled	Major
8133	Processor 04 disabled	Major
8160	Processor 01 unable to apply microcode update	Major
8161	Processor 02 unable to apply microcode update	Major
8162	Processor 03 unable to apply microcode update	Major
8163	Processor 04 unable to apply microcode update	Major
8170	Processor 01 failed Self Test (BIST)	Major
8171	Processor 02 failed Self Test (BIST)	Major
8172	Processor 03 failed Self Test (BIST)	Major
8173	Processor 04 failed Self Test (BIST)	Major
8180	Processor 01 microcode update not found	Minor
8181	Processor 02 microcode update not found	Minor
8182	Processor 03 microcode update not found	Minor
8183	Processor 04 microcode update not found	Minor
8190	Watchdog timer failed on last boot	Major
8198	OS boot watchdog timer failure	Major
8300	Baseboard management controller failed self-test	Major
8305	Hot Swap Controller failure	Major
83A0	Management Engine (ME) failed Selftest	Major
83A1	Management Engine (ME) Failed to respond.	Major
84F2	Baseboard management controller failed to respond	Major
84F3	Baseboard management controller in update mode	Major
84F4	Sensor data record empty	Major
84FF	System event log full	Minor
8500	Memory component could not be configured in the selected RAS mode	Major
8501	DIMM Population Error	Major
8520	DIMM_A1 failed test/initialization	Major
8521	DIMM_A2 failed test/initialization	Major
8522	DIMM_A3 failed test/initialization	Major
8523	DIMM_B1 failed test/initialization	Major
8524	DIMM_B2 failed test/initialization	Major
8525	DIMM_B3 failed test/initialization	Major
8526	DIMM_C1 failed test/initialization	Major
8527	DIMM_C2 failed test/initialization	Major
8528	DIMM_C3 failed test/initialization	Major
8529	DIMM_D1 failed test/initialization	Major
852A	DIMM_D2 failed test/initialization	Major
852B	DIMM_D3 failed test/initialization	Major
852C	DIMM_E1 failed test/initialization	Major
852D	DIMM_E2 failed test/initialization	Major
852E	DIMM_E3 failed test/initialization	Major
852F	DIMM_F1 failed test/initialization	Major
8530	DIMM_F2 failed test/initialization	Major
8531	DIMM_F3 failed test/initialization	Major
8532	DIMM_G1 failed test/initialization	Major
8533	DIMM_G2 failed test/initialization	Major
8534	DIMM_G3 failed test/initialization	Major
8535	DIMM_H1 failed test/initialization	Major
8536	DIMM_H2 failed test/initialization	Major
8537	DIMM_H3 failed test/initialization	Major
8538	DIMM_I1 failed test/initialization	Major
8539	DIMM_I2 failed test/initialization	Major
853A	DIMM_I3 failed test/initialization	Major
853B	DIMM_J1 failed test/initialization	Major
853C	DIMM_J2 failed test/initialization	Major
853D	DIMM_J3 failed test/initialization	Major
853E	DIMM_K1 failed test/initialization	Major

Error Code	Error Message	Response
853F (Go to 85C0)	DIMM_K2 failed test/initialization	Major
8540	DIMM_A1 disabled	Major
8541	DIMM_A2 disabled	Major
8542	DIMM_A3 disabled	Major
8543	DIMM_B1 disabled	Major
8544	DIMM_B2 disabled	Major
8545	DIMM_B3 disabled	Major
8546	DIMM_C1 disabled	Major
8547	DIMM_C2 disabled	Major
8548	DIMM_C3 disabled	Major
8549	DIMM_D1 disabled	Major
854A	DIMM_D2 disabled	Major
854B	DIMM_D3 disabled	Major
854C	DIMM_E1 disabled	Major
854D	DIMM_E2 disabled	Major
854E	DIMM_E3 disabled	Major
854F	DIMM_F1 disabled	Major
8550	DIMM_F2 disabled	Major
8551	DIMM_F3 disabled	Major
8552	DIMM_G1 disabled	Major
8553	DIMM_G2 disabled	Major
8554	DIMM_G3 disabled	Major
8555	DIMM_H1 disabled	Major
8556	DIMM_H2 disabled	Major
8557	DIMM_H3 disabled	Major
8558	DIMM_I1 disabled	Major
8559	DIMM_I2 disabled	Major
855A	DIMM_I3 disabled	Major
855B	DIMM_J1 disabled	Major
855C	DIMM_J2 disabled	Major
855D	DIMM_J3 disabled	Major
855E	DIMM_K1 disabled	Major
855F (Go to 85D0)	DIMM_K2 disabled	Major
8560	DIMM_A1 encountered a Serial Presence Detection (SPD) failure	Major
8561	DIMM_A2 encountered a Serial Presence Detection (SPD) failure	Major
8562	DIMM_A3 encountered a Serial Presence Detection (SPD) failure	Major
8563	DIMM_B1 encountered a Serial Presence Detection (SPD) failure	Major
8564	DIMM_B2 encountered a Serial Presence Detection (SPD) failure	Major
8565	DIMM_B3 encountered a Serial Presence Detection (SPD) failure	Major
8566	DIMM_C1 encountered a Serial Presence Detection (SPD) failure	Major
8567	DIMM_C2 encountered a Serial Presence Detection (SPD) failure	Major
8568	DIMM_C3 encountered a Serial Presence Detection (SPD) failure	Major
8569	DIMM_D1 encountered a Serial Presence Detection (SPD) failure	Major
856A	DIMM_D2 encountered a Serial Presence Detection (SPD) failure	Major
856B	DIMM_D3 encountered a Serial Presence Detection (SPD) failure	Major
856C	DIMM_E1 encountered a Serial Presence Detection (SPD) failure	Major
856D	DIMM_E2 encountered a Serial Presence Detection (SPD) failure	Major
856E	DIMM_E3 encountered a Serial Presence Detection (SPD) failure	Major
856F	DIMM_F1 encountered a Serial Presence Detection (SPD) failure	Major
8570	DIMM_F2 encountered a Serial Presence Detection (SPD) failure	Major
8571	DIMM_F3 encountered a Serial Presence Detection (SPD) failure	Major
8572	DIMM_G1 encountered a Serial Presence Detection (SPD) failure	Major
8573	DIMM_G2 encountered a Serial Presence Detection (SPD) failure	Major
8574	DIMM_G3 encountered a Serial Presence Detection (SPD) failure	Major
8575	DIMM_H1 encountered a Serial Presence Detection (SPD) failure	Major
8576	DIMM_H2 encountered a Serial Presence Detection (SPD) failure	Major
8577	DIMM_H3 encountered a Serial Presence Detection (SPD) failure	Major
8578	DIMM_I1 encountered a Serial Presence Detection (SPD) failure	Major

Error Code	Error Message	Response
8579	DIMM_I2 encountered a Serial Presence Detection (SPD) failure	Major
857A	DIMM_I3 encountered a Serial Presence Detection (SPD) failure	Major
857B	DIMM_J1 encountered a Serial Presence Detection (SPD) failure	Major
857C	DIMM_J2 encountered a Serial Presence Detection (SPD) failure	Major
857D	DIMM_J3 encountered a Serial Presence Detection (SPD) failure	Major
857E	DIMM_K1 encountered a Serial Presence Detection (SPD) failure	Major
857F (Go to 85E0)	DIMM_K2 encountered a Serial Presence Detection (SPD) failure	Major
85C0	DIMM_K3 failed test/initialization	Major
85C1	DIMM_L1 failed test/initialization	Major
85C2	DIMM_L2 failed test/initialization	Major
85C3	DIMM_L3 failed test/initialization	Major
85C4	DIMM_M1 failed test/initialization	Major
85C5	DIMM_M2 failed test/initialization	Major
85C6	DIMM_M3 failed test/initialization	Major
85C7	DIMM_N1 failed test/initialization	Major
85C8	DIMM_N2 failed test/initialization	Major
85C9	DIMM_N3 failed test/initialization	Major
85CA	DIMM_O1 failed test/initialization	Major
85CB	DIMM_O2 failed test/initialization	Major
85CC	DIMM_O3 failed test/initialization	Major
85CD	DIMM_P1 failed test/initialization	Major
85CE	DIMM_P2 failed test/initialization	Major
85CF	DIMM_P3 failed test/initialization	Major
85D0	DIMM_K3 disabled	Major
85D1	DIMM_L1 disabled	Major
85D2	DIMM_L2 disabled	Major
85D3	DIMM_L3 disabled	Major
85D4	DIMM_M1 disabled	Major
85D5	DIMM_M2 disabled	Major
85D6	DIMM_M3 disabled	Major
85D7	DIMM_N1 disabled	Major
85D8	DIMM_N2 disabled	Major
85D9	DIMM_N3 disabled	Major
85DA	DIMM_O1 disabled	Major
85DB	DIMM_O2 disabled	Major
85DC	DIMM_O3 disabled	Major
85DD	DIMM_P1 disabled	Major
85DE	DIMM_P2 disabled	Major
85DF	DIMM_P3 disabled	Major
85E0	DIMM_K3 encountered a Serial Presence Detection (SPD) failure	Major
85E1	DIMM_L1 encountered a Serial Presence Detection (SPD) failure	Major
85E2	DIMM_L2 encountered a Serial Presence Detection (SPD) failure	Major
85E3	DIMM_L3 encountered a Serial Presence Detection (SPD) failure	Major
85E4	DIMM_M1 encountered a Serial Presence Detection (SPD) failure	Major
85E5	DIMM_M2 encountered a Serial Presence Detection (SPD) failure	Major
85E6	DIMM_M3 encountered a Serial Presence Detection (SPD) failure	Major
85E7	DIMM_N1 encountered a Serial Presence Detection (SPD) failure	Major
85E8	DIMM_N2 encountered a Serial Presence Detection (SPD) failure	Major
85E9	DIMM_N3 encountered a Serial Presence Detection (SPD) failure	Major
85EA	DIMM_O1 encountered a Serial Presence Detection (SPD) failure	Major
85EB	DIMM_O2 encountered a Serial Presence Detection (SPD) failure	Major
85EC	DIMM_O3 encountered a Serial Presence Detection (SPD) failure	Major
85ED	DIMM_P1 encountered a Serial Presence Detection (SPD) failure	Major
85EE	DIMM_P2 encountered a Serial Presence Detection (SPD) failure	Major
85EF	DIMM_P3 encountered a Serial Presence Detection (SPD) failure	Major
8604	POST Reclaim of non-critical NVRAM variables	Minor
8605	BIOS Settings are corrupted	Major
8606	NVRAM variable space was corrupted and has been reinitialized	Major
92A3	Serial port component was not detected	Major
92A9	Serial port component encountered a resource conflict error	Major

Error Code	Error Message	Response
A000	TPM device not detected.	Minor
A001	TPM device missing or not responding.	Minor
A002	TPM device failure.	Minor
A003	TPM device failed self test.	Minor
A100	BIOS ACM Error	Major
A421	PCI component encountered a SERR error	Fatal
A5A0	PCI Express component encountered a PERR error	Minor
A5A1	PCI Express component encountered an SERR error	Fatal
A6A0	DXE Boot Service driver: Not enough memory available to shadow a Legacy Option ROM	Minor

POST Error Beep Codes

The following table lists the POST error beep codes. Prior to system video initialization, the BIOS uses these beep codes to inform users on error conditions. The beep code is followed by a user-visible code on the POST Progress LEDs

Table 32. POST Error Beep Codes

Beeps	Error Message	POST Progress Code	Description
1	USB device action	NA	Short beep sounded whenever a USB device is discovered in POST, or inserted or removed during runtime
1 long	Intel® TXT security violation	0xAE, 0xAF	System halted because Intel® Trusted Execution Technology detected a potential violation of system security.
3	Memory error	See Tables 28 and 29	System halted because a fatal error related to the memory was detected.
2	BIOS Recovery started	NA	Recovery boot has been initiated
4	BIOS Recovery failure	NA	BIOS recovery has failed. This typically happens so quickly after recovery us initiated that it sounds like a 2-4 beep code.

The Integrated BMC may generate beep codes upon detection of failure conditions. Beep codes are sounded each time the problem is discovered, such as on each power-up attempt, but are not sounded continuously. Codes that are common across all Intel server boards and systems that use same generation chipset are listed in the following table. Each digit in the code is represented by a sequence of beeps whose count is equal to the digit.

Table 33. Integrated BMC Beep Codes

Code	Reason for Beep	Associated Sensors
1-5-2-1	No CPUs installed or first CPU socket is empty.	CPU1 socket is empty, or sockets are populated incorrectly CPU1 must be populated before CPU2.
1-5-2-4	MSID Mismatch	MSID mismatch occurs if a processor is installed into a system board that has incompatible power capabilities.
1-5-4-2	Power fault	DC power unexpectedly lost (power good dropout) – Power unit sensors report power unit failure offset
1-5-4-4	Power control fault (power good assertion timeout).	Power good assertion timeout – Power unit sensors report soft power control failure offset
1-5-1-2	VR Watchdog Timer sensor assertion	VR controller DC power on sequence was not completed in time.
1-5-1-4	Power Supply Status	The system does not power on or unexpectedly powers off and a Power Supply Unit (PSU) is present that is an incompatible model with one or more other PSUs in the system.

Appendix D: System Configuration Table for Thermal Compatibility

The following list reflects specified notes identified in the “**Support Notes**” column in the table. Each note reflects support criteria associated with a specific system configuration. Notes that may not be specified in the table may reflect support criteria for a R1000BB Base System SKU described in the appropriate 1U Technical Product Specification.

Table Notes:

1. The 25°C configuration alone is limited to elevations of 900m or less
2. Use of the designated PCI slot is limited to add-in cards that have air flow requirements of 100 LFM or less. See add-in card specs for air flow requirements.
3. Fan redundancy is not supported in base system SKUs R2312BBxxxx and R2224BBxxxx, when any of the following IO modules are installed: AXX10GBTWLIOM , AXX2FDRIBIOM, AXX1FDRIBIOM
4. Processor and Memory throttling may occur with a system fan failure, impacting system performance.
 - For base system SKUs R2312BBxxxx and R2224BBxxxx, installing the following processors may have some performance impact under A4: EN 95W-6C/8C, EN 80W-4C, EN 70W-8C
5. Specifically for A3/A4 individual Power Supply selection power margin is required to meet thermal specifications:
 - a) For dual power supply configuration, the power budget must fit within a single power supply rated load
 - b) For single power supply configuration, the power budget must be sized with 30% margin to single power supply rated load.
6. Intel® Xeon Phi™ or Non-Intel GPGPU cards may have performance impact during ambient excursions
7. When identifying memory in the table, only Rank and Width are required. Capacity is not required.
8. LV refers to low voltage DIMMs (1.35V)
9. Installation of the AXSRMFBU2 in a 2U system will also require the installation of Intel mounting bracket A2UBKTMFBUSSD. The Cache offload Module can only be installed with 95W processors and DRx8 or equivalent memory.
10. Confirm the case temperature specification for the SSD to make appropriate selection
11. Fan fail of dual-rotor fans refers to one rotor fail. “Fan Fail Support” indicates if fan fail can be supported with specified configuration in each column.

Intel® Server System R2000BB Product Family TPS

		Base System SKUs: R2312BBxxxx R2224BBxxxx					Base System SKUs: R2216BBxxxx					Base System SKUs: R2308BBxxxx					Base System SKUs: R2208BBxxxx					Notes
ASHRAE	Classifications	25° C	A2	A2	A3	A4	25° C	A2	A2	A3	A4	25° C	A2	A2	A3	A4	25° C	A2	A2	A3	A4	
	Max Ambient	25° C	35° C	35° C	40° C	45° C	25° C	35° C	35° C	40° C	45° C	25° C	35° C	35° C	40° C	45° C	25° C	35° C	35° C	40° C	45° C	Note 1
Cooling	Redundant Fan Configuration	•	•	•	•	•	•	•	•	•	•	•	•	•	•	•	•	•	•	•	•	Note 11
	Fan Redundancy Support	•		•			•		•			•		•			•		•			Note 11
Power Supply	Power Supplies	See Tool					See Tool					See Tool					See Tool					Note 5
Intel® Xeon® processor E5-2400 product family	EN,80W,4C (E5-2403, E5-2407)	•	•	•	•	•	•	•	•	•	•	•	•	•	•	•	•	•	•	•	•	Notes 4
	EN,60W,6C (E5-2430L)	•	•	•	•		•	•	•	•	•	•	•	•	•	•	•	•	•	•	•	Notes 4
	EN, 95, 6C (E5-2420, E5-2430, E5-2440)	•	•	•	•	•	•	•	•	•	•	•	•	•	•	•	•	•	•	•	•	Notes 4
	EN,70W,8C (EN2450L)	•	•	•	•	•	•	•	•	•	•	•	•	•	•	•	•	•	•	•	•	Notes 4
	EN,95W,8C (EN-2450, EN-2470)	•	•	•	•	•	•	•	•	•	•	•	•	•	•	•	•	•	•	•	•	Notes 4
Memory Type (See notes 8 and 9)	Dual Rank x8 Normal and LV, Quad Rank x8 LV	•	•	•	•	•	•	•	•	•	•	•	•	•	•	•	•	•	•	•	•	Notes 7,8
	Dual Rank x4 Normal and LV	•	•	•	•	•	•	•	•	•	•	•	•	•	•	•	•	•	•	•	•	Notes 7,8
	Quad Rank x8 Normal	•	•	•	•	•	•	•	•	•	•	•	•	•	•	•	•	•	•	•	•	Notes 7,8
	Quad Rank x4 Normal and LV	•	•	•	•	•	•	•	•	•	•	•	•	•	•	•	•	•	•	•	•	Notes 7,8
	Load Reduced DIMM	•	•	•			•	•	•			•	•	•			•	•	•	•		Notes 4,7,8
Add-in Cards (See note 2)	Riser #1 - Bottom Slot (1U riser and 2U riser)	•	•	•	•	•	•	•	•	•	•	•	•	•	•	•	•	•	•	•	•	
	Riser #1 - Middle Slot (2U riser)	•	•	•	•	•	•	•	•	•	•	•	•	•	•	•	•	•	•	•	•	
	Riser #1 - Top Slot (2U riser)	•	•	•	•	•	•	•	•	•	•	•	•	•	•	•	•	•	•	•	•	
	Riser #2 - Bottom Slot (1U riser and 2U riser)	•	•	•	•	•	•	•	•	•	•	•	•	•	•	•	•	•	•	•	•	Note 2
	Riser #2 - Middle Slot (2U riser)	•	•	•	•	•	•	•	•	•	•	•	•	•	•	•	•	•	•	•	•	Note 2
	Riser #2 - Top Slot (2U riser)	•	•	•	•	•	•	•	•	•	•	•	•	•	•	•	•	•	•	•	•	
I/O Modules (See note 3)	Intel® Integrated RAID Modules (Mezzanine cards)	•	•	•	•	•	•	•	•	•	•	•	•	•	•	•	•	•	•	•	•	
	AXX10GBTWLIOM - Dual 10GBASE-T IO Module	•	•	•	•	•	•	•	•	•	•	•	•	•	•	•	•	•	•	•	•	Note 3
	AXX10GBNIAIOM - Dual SFP+ port 10GbE IO Module	•	•	•	•	•	•	•	•	•	•	•	•	•	•	•	•	•	•	•	•	
	AXX1FDRIBIOM - Single Port FDR Infiniband IO Module	•	•	•	•	•	•	•	•	•	•	•	•	•	•	•	•	•	•	•	•	
	AXX2FDRIBIOM - Dual Port FDR Infiniband IO Module	•	•	•	•	•	•	•	•	•	•	•	•	•	•	•	•	•	•	•	•	Note 3
	AXX4P1GBPWLIOIM - Quad Port 1GbE IO Module	•	•	•	•	•	•	•	•	•	•	•	•	•	•	•	•	•	•	•	•	

Intel® Server System R2000BB Product Family TPS

		Base System SKUs: R2312BBxxxx R2224BBxxxx					Base System SKUs: R2216BBxxxx					Base System SKUs: R2308BBxxxx					Base System SKUs: R2208BBxxxx					Notes
ASHRAE	Classifications	25° C	A2	A2	A3	A4	25° C	A2	A2	A3	A4	25° C	A2	A2	A3	A4	25° C	A2	A2	A3	A4	
	Max Ambient	25° C	35° C	35° C	40° C	45° C	25° C	35° C	35° C	40° C	45° C	25° C	35° C	35° C	40° C	45° C	25° C	35° C	35° C	40° C	45° C	Note 1
Intel® Xeon Phi™ or Non-Intel GPGPU (See note 7)	Intel® Xeon Phi™ or non-Intel GPGPU w/Active cooling: up to 300W						•	•				•	•				•	•		•		Note 6
	Intel® Xeon Phi™ or non-Intel GPGPU w/Active cooling : up to 225W						•	•				•	•				•	•		•		Note 6
	Non-Intel GPGPU w/Passive cooling: up to 75W						•	•	•			•	•	•			•	•	•			
	Intel® Xeon Phi™ or non-Intel GPGPU w/Passive cooling: up to 300W																					Not supported
	Intel® Xeon Phi™ or non-Intel GPGPU w/Passive cooling: up to 245W																					Not supported
	Intel® Xeon Phi™ or non-Intel GPGPU w/Passive cooling: up to 225W																					Not supported
RAID Battery Backup	AXXRSBBU9 (rated to 45°C)	•	•	•			•	•	•			•	•	•			•	•	•			
	AXXRMFBU2 (rated to 55°C)	•	•	•	•	•	•	•	•	•	•	•	•	•	•	•	•	•	•	•	•	Note 9
	Cache Offload Module (rated to 55°C)	•	•	•	•	•	•	•	•	•	•	•	•	•	•	•	•	•	•	•	•	Note 9
Internal SSD	Rated to 60°C	•	•				•					•					•					Note 10
	Rated to 70°C	•	•	•			•	•	•			•	•	•			•	•	•			Note 10

Glossary

Word/Acronym	Definition
ACA	Australian Communication Authority
ANSI	American National Standards Institute
BMC	Baseboard Management Controller
BIOS	Basic Input/Output System
CMOS	Complementary Metal-oxide-semiconductor
D2D	DC-to-DC
EMP	Emergency Management Port
FP	Front Panel
FRB	Fault Resilient Boot
FRU	Field Replaceable Unit
I ² C	Inter-integrated Circuit bus
LCD	Liquid Crystal Display
LPC	Low-pin Count
LSB	Least Significant Bit
MSB	Most Significant Bit
MTBF	Mean Time Between Failure
MTTR	Mean Time to Repair
NIC	Network Interface Card
NMI	Non-maskable Interrupt
OTP	Over-temperature Protection
OVP	Over-voltage Protection
PCI	Peripheral Component Interconnect
PCB	Printed Circuit Board
PCIe*	Peripheral Component Interconnect Express*
PCI-X	Peripheral Component Interconnect Extended
PFC	Power Factor Correction
POST	Power-on Self Test
PSU	Power Supply Unit
RAM	Random Access Memory
RI	Ring Indicate
SCA	Single Connector Attachment
SDR	Sensor Data Record
SE	Single-Ended
THD	Total Harmonic Distortion
UART	Universal Asynchronous Receiver Transmitter
USB	Universal Serial Bus
VCCI	Voluntary Control Council for Interference
VSB	Voltage Standby

Reference Documents

See the following documents for additional information:

- *Intel® Server Board S2400BB Technical Product Specification*
- *Intel® Server Board S2400BB Product Family Spares/Parts List and Configuration Guide*
- *Intel® Server System R2000BB Service Guide*
- *Intel® Server System R2000BB Quick Installation Guide*
- *Intel® S2400BB Product Family Power Budget and Thermal Configuration Tool*
- *BIOS for EPSD Platforms Based on Intel® Xeon Processor E5-4600/2600/2400/1600 Product Families External Product Specification*
- *EPSD Platforms Based On Intel Xeon® Processor E5 4600/2600/2400/1600 Product Families BMC Core Firmware External Product Specification*
- *Intel® RAID Expander Card RES2SV240 Hardware Users Guide*
- *Intel® Remote Management Module 4 Technical Product Specification*
- *Intel® Remote Management Module 4 and Integrated BMC Web Console Users Guide*
- *Intel® Server Board S2400BB, Intel® Server System R1000BB, Intel® Server System R2000BB Monthly Specification Update*
- *Intel Integrated RAID Module RMS25PB040, RMS25PB080, RMS25CB040, and RMS25CB080 Hardware / Installation Users Guide*
- *Intel® Raid Maintenance Free Backup Unit AXRMFBU2 User's Guide*
- *Intel® Local Control Panel for EPSD Platforms Based on Intel® Xeon® Processor E5 4600/2600/2400/1600/1400 Product Families Technical Product Specification. (Intel document order number G83726-001)*