

# **Intel® Server Board SE8500HW4 Memory List Test Report Summary**



Revision 14.0  
July 2006

## Revision History

Date	Rev	Modifications
Apr/05	1.0	Initial Release.
Jun/05	2.0	Added Samsung* parts. (In shaded area)
Sept/05	3.0	Added ATP Electronics* 512MB part. Added Dataram* 1GB part. Added Smart Modular Technologies* and Dataram 2GB parts. (In shaded area)
Oct/05	4.0	Added Netlist* and Samsung 1GB parts. Added Netlist and Samsung 2GB parts. Added Hynix* and Micron* 4GB parts. (In shaded area)
Nov/05	5.0	Added Samsung 256MB part. Added Ventura* and Samsung 512MB parts. Added Samsung, Micron, ATP, Kingston* and Smart 1GB parts. Added Samsung, Hynix, Micron and Smart 2GB parts. (In shaded area)
Dec/05	6.0	Added Smart and ATP 1GB parts. Added Kingston, ATP and Apacer 2GB parts. Added Kingston 512MB parts. (In shaded area)
Jan/06	7.0	Added Smart and Kingston 4GB parts. (In shaded area)
Jan/06	8.0	Added Nanya 512MB, 1GB and 2GB parts. Added Ventura 1GB part. (In shaded area)
Feb/06	9.0	Added Kingston 1GB part. (In shaded area)
Mar/06	10.0	Added Dataram and Smart 1GB parts. Added Legend 512MB and 1GB parts. (In shaded area)
Mar/06	11.0	Added Kingston 1GB and 2GB parts. Added ATP 1GB part. Added TRS 512MB part. (In shaded area)
May/06	12.0	Infineon name change to Qimonda effective May 1 <sup>st</sup> , 2006. Added Ventura 512MB part. Added TRS 1G & 2G parts. Added Kingston 2G parts. (In shaded area)
June/06	13.0	Added Apacer, Kingston and Wintec parts. (In shaded area)
July/06	14.0	Added Kingston 512MB, 1GB, and 2GB parts. Added Smart 1GB part. (In shaded area)

## Disclaimer

INTEL DISCLAIMS ALL LIABILITY FOR THESE DEVICES, INCLUDING LIABILITY FOR INFRINGEMENT OF ANY PROPRIETARY RIGHTS RELATING TO THESE DEVICES OR THE IMPLEMENTATION OF INFORMATION IN THIS DOCUMENT. INTEL DOES NOT WARRANT OR REPRESENT THAT SUCH DEVICES OR IMPLEMENTATION WILL NOT INFRINGE SUCH RIGHTS. INTEL IS NOT OBLIGATED TO PROVIDE ANY SUPPORT, INSTALLATION, OR OTHER ASSISTANCE WITH REGARD TO THESE DEVICES.

THE INTEL PRODUCT REFERRED TO IN THIS DOCUMENT IS INTENDED FOR STANDARD COMMERCIAL USE ONLY. CUSTOMERS ARE SOLELY RESPONSIBLE FOR ASSESSING THE SUITABILITY OF THE PRODUCT AND/OR DEVICES FOR USE IN PARTICULAR APPLICATIONS. THE REFERENCED INTEL PRODUCT IS NOT INTENDED FOR USE IN CRITICAL CONTROL OR SAFETY SYSTEMS OR IN NUCLEAR FACILITY APPLICATIONS.

Information in this document is provided in connection with Intel products. No license, express or implied, by estoppel or otherwise, to any intellectual property rights is granted by this document or by the sale of Intel products. Except as provided in Intel's Terms and Conditions of Sale for such products, Intel assumes no liability whatsoever, and Intel disclaims any express or implied warranty, relating to sale and/or use of Intel products including liability or warranties relating to fitness for a particular purpose, merchantability, or infringement of any patent, copyright or other intellectual property right. Intel products are not intended for use in medical, life saving, or life sustaining applications. Intel retains the right to make changes to its test specifications and memory list at any time, without notice.

The hardware vendor remains solely responsible for the design, sale and functionality of its product, including any liability arising from product infringement or product warranty. Only approved software drivers and accessories that are recommended for the revision number of the boards and system being operated should be used with Intel products. Please note that, as a result of warranty repairs or replacements, alternate software and firmware versions may be required for proper operation of the equipment.

The Intel® Server Board SE8500HW4 may contain design defects or errors known as errata which may cause the product to deviate from published specifications. Current characterized errata are available on request.

Copyright © Intel Corporation 2006.

\* Other brands and names are the property of their respective owners.

---

**Please Note:** DIMM devices with gold contacts should NOT be placed into DIMM sockets with tin-lead contacts or vice-versa. Mixing dissimilar metal contact types has been shown to result in unreliable memory operation. Intel recommends similar manufacturer and similar speeds in each Rank on the memory module. Mixing of dissimilar memory is NOT recommended.

---

# Table of Contents

<b>1. Overview of Memory Testing .....</b>	<b>2</b>
1.1 Paper Qualification.....	2
1.2 Functional Testing.....	2
1.3 Advanced functional testing .....	2
1.4 Computer Memory Test Lab* .....	2
<b>2. Memory Subsystem SE8500HW4.....</b>	<b>3</b>
2.1 Main Memory Population .....	3
2.2 RAID Memory Population.....	4
<b>3. SE8500HW4 Main Memory Tested .....</b>	<b>5</b>
Registered, ECC, DDR2-400 DIMM Modules 256MB Sizes (32Mx72) .....	6
Registered, ECC, DDR2-400 DIMM Modules 512MB Sizes (64Mx72) .....	7
Registered, ECC, DDR2-400 DIMM Modules 1 GB Sizes (128Mx72) .....	9
Registered, ECC, DDR2-400 DIMM Modules 2 GB Sizes (256Mx72) .....	11
Registered, ECC, DDR2-400 DIMM Modules 4 GB Sizes (256Mx72) .....	13
<b>4. RAID On MotherBoard (ROMB) Memory Tested.....</b>	<b>14</b>
<b>5. Sales Information .....</b>	<b>15</b>
<b>6. CMTL* (Computer Memory Test Labs) .....</b>	<b>16</b>

## 1. Overview of Memory Testing

---

The following test processes are used to qualify Dual In-Line Memory Modules (DIMMs) for use with the Intel® Server Board SE8500HW4. Memory is a vital subsystem in a server. Intel requires that strict guidelines be met before a DIMM vendor is added to the Tested Memory List. To be included on the list as a fully supported DIMM, the memory must undergo rigorous tests to ensure that the product will perform the intended server product functions. Memory qualification for Intel server, workstation and RAID controller products is performed both by Intel's Memory Validation Lab (MVL) and by an independent external test lab, Computer Memory Test Lab\* (CMTL).

The Tested Memory Lists for Intel's server board, workstation board, and RAID controller products categorize memory modules as Advanced Tested. The Advanced Testing process includes a standard paper qualification and then is followed by two levels of functional testing. DIMMs that have completed and passed Advanced Testing are considered to be compatible with the product on which they were tested, and with the test software and operating systems that was used during the test process.

Note: Memory qualification for main memory is done by testing identical memory modules in all DIMM slots. Memory qualification does not include testing of mixed DIMM type and/or vendors. Mixing of DIMM type and/or vendors is not recommended.

### 1.1 Paper Qualification

A paper qualification is performed to verify that the specifications of a given DIMM meet Intel's memory specifications for a given product. Specification criteria reviewed include: critical timings, electrical characteristics, timing requirements, environmental requirements, and packaging requirements.

### 1.2 Functional Testing

After a given DIMM passes the standard paper qualification, functionality of the DIMM is then tested with the intended Intel product. Two levels of functional testing is performed; Standard and Advanced.

Standard functional testing requires that the given DIMM and Intel product combination operate with no failures for a period of no less than 24 hours for both minimum and maximum DIMM configurations. Testing is performed using a Microsoft Windows\* operating system and a custom test package. The test systems operate with standard voltage and at room temperature.

### 1.3 Advanced functional testing

Advanced functional testing requires that the given DIMM and Intel product combination operate with no failures for a period of no less than 24 hours for both minimum and maximum DIMM configurations. Testing is performed with multiple operating systems and various custom test packages. Each test configuration is tested with various voltage and temperature margin conditions.

### 1.4 Computer Memory Test Lab\*

Computer Memory Test Lab, also known as "CMTL\*" is a leading memory test organization responsible for testing a broad range of memory products. A memory product, which receives a "PASS" after being tested by CMTL, means it functions correctly and consumers can use the product to perform the intended server functions. In order to pass these stringent standards, memory products must maintain the highest manufacturing procedures and pass an exacting battery of tests. Testing is performed with Intel supplied equipment and procedures defined by Intel's various functional testing levels.

#### **CMTL\* Contact Information:**

Office: (949) 716-8690  
Main Fax: (949) 716-8691

Computer Memory Test Lab (CMTL)  
24 Hammond Suite F  
Irvine, CA 92618  
<http://www.cmtlabs.com/>

## 2. Memory Subsystem SE8500HW4

The Intel® Server Board SE8500HW4 main memory subsystem was designed to support Double Data Rate2 (DDR2) 400-MHz Registered ECC Synchronous Dynamic Random Access Memory (SDRAM). Other industry naming conventions for DDR2-400 include PC2-3200.

The maximum main memory capacity supported is based on the number of DIMM slots provided and maximum supported memory loads by the chipset. On the Intel Server Board SE8500HW4 the maximum supported capacity is 64GB. The minimum supported capacity is 512MB with two 256MB DIMMs.

Supported DDR2-400 DIMM capacities for main memory include: 256MB, 512MB, 1GB, 2GB, and 4GB.

The SE8500HW4 RAID memory subsystem was designed to support Double Data Rate2 (DDR2) 400-MHz Registered ECC Synchronous Dynamic Random Access Memory (SDRAM). The Intel Server Board SE8500HW4 maximum supported RAID memory capacity is 1GB, the minimum supported capacity is 256MB.

Supported DDR2-400 DIMM capacities for RAID memory include: 256MB, 512MB, and 1GB.

### 2.1 Main Memory Population

The Intel Server Board Set SE8500HW4 Memory Board has four DIMM slots grouped into two DIMM banks for main memory. DIMMs within a bank should be identical (same manufacturer, CAS latency, number of rows, columns and devices, timing parameters etc.). Although DIMMs within a bank must be identical, the BIOS supports various DIMM sizes and configurations allowing memory between banks to be different. Memory sizing and configuration is guaranteed only for qualified DIMMs approved by Intel.

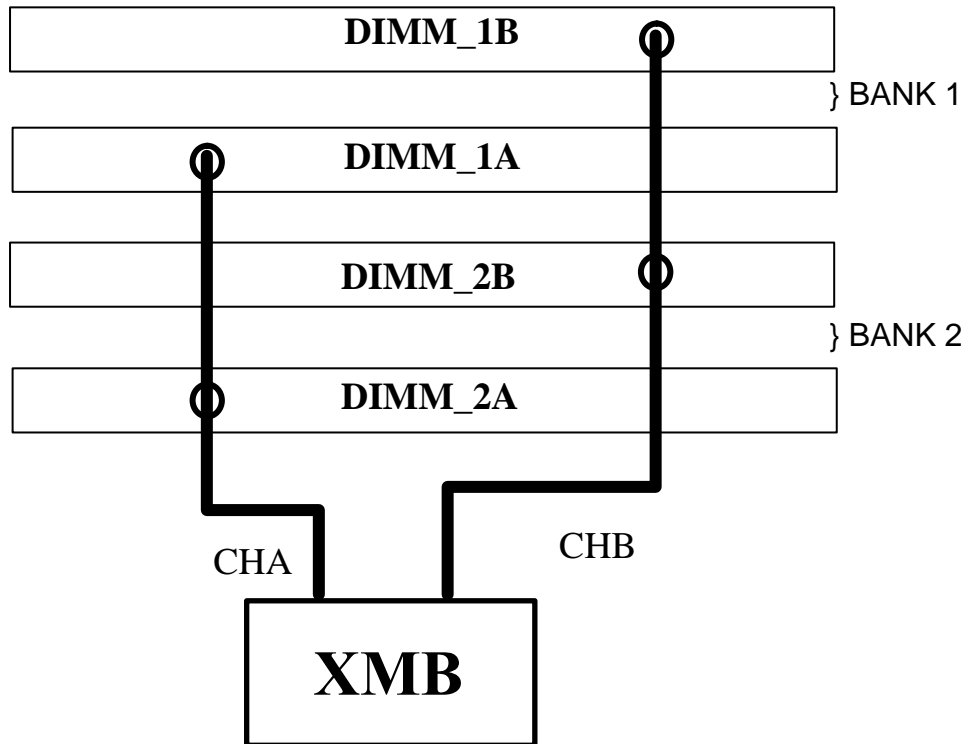


Figure 1. Identifying Banks of Memory

The memory controller is capable of supporting up to 4 loads per channel for DDR2-400. Memory technologies are classified as being either single rank or dual rank depending on the number of DRAM devices that are used on any one DIMM. A single rank DIMM is a single load device, ie) Single Rank = 1 Load. Dual rank DIMMs are dual load devices, ie) Dual Rank = 2 loads. Refer to the memory module manufacturer specifications to determine if a DIMM is single or dual rank.

**DDR2-400 DIMM population rules are as follows:**

- (1) DIMM banks must be populated in order, starting with the bank furthest from the XMB (Bank 1).
- (2) Dual rank DIMMs must be populated before single rank DIMMs.
- (3) All DIMMs can be dual rank.

The following tables show the supported memory configurations:

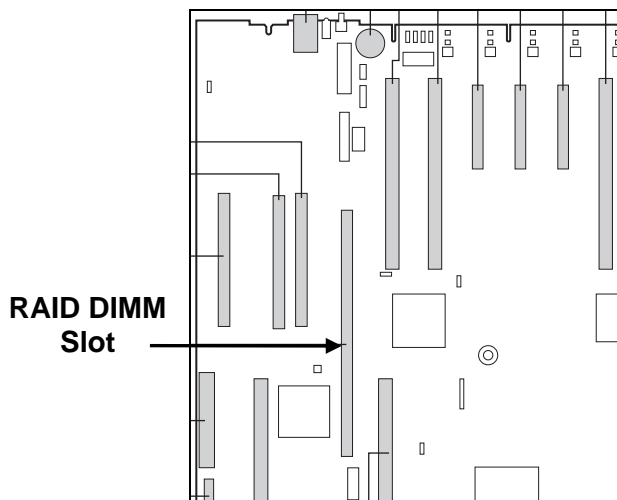
**Table 1: Supported DDR2-400 DIMM Populations**

	Config 1	Config 2	Config 3	Config 4	Config 5
<b>DIMM 1B</b>	DR	DR	DR	SR	SR
<b>DIMM 1A</b>	DR	DR	DR	SR	SR
<b>DIMM 2B</b>	E	SR	DR	E	SR
<b>DIMM 2A</b>	E	SR	DR	E	SR

*Note: SR = single rank, DR = dual rank, E = Empty*

## 2.2 RAID Memory Population

The Intel Server Board SE8500HW4 includes one DDR2-400 DIMM slot, next to the PCI Slots, not shared with main memory and for exclusive use as RAID cache of the RAID subsystem. Memory sizing and configuration is guaranteed only for qualified DIMMs approved by Intel. The ROMB subsystem supports RAID memory for higher performance operation (write back cache). In addition, for enhanced data protection, the ROMB functionality in the SE8500HW4 server board supports the Intel® RAID Smart Battery accessory which provides battery back-up.



**Figure 2. Identifying RAID Memory Slot**

### 3. SE8500HW4 Main Memory Tested

---

The following tables list DIMM devices tested to be compatible with the Intel® Server Board SE8500HW4. The list of tested memory is periodically updated as qualified memory is added during the production life of the Intel product.

Intel strongly recommends the use of ECC memory in all server products.

Memory modules not listed in the following tables have not been tested for compatibility and their use with the Server Board SE8500HW4 may result in unpredictable operation and data loss.

**Caution:** Third party memory vendors may use the same module part number with different DRAM vendors and die revisions. To insure proper system operation, verify that each DRAM vendor and die revision has been separately tested and qualified. Please notify CMTL if there is a discrepancy. This list is subject to change without notice.

**Note:** This list is not intended to be all-inclusive. It is provided as a convenience to Intel's general customer base, but Intel does not make any representations or warranties whatsoever regarding the quality, reliability, functionality, or compatibility of these memory modules.

< The rest of this page left intentionally blank >



**Server Board SE8500HW4****Registered, ECC, DDR2-400 DIMM Modules  
256MB Sizes (32Mx72)**

Manufacturer	Part Number	DRAM Part Number	DRAM Vendor	PCB Part Number	Date Code	Date	DRAM Organization	Rank	EOL
~ Qimonda (Infineon)*	HYS72T32000HR-5-A	HYB18T256800AF-5	~ Qimonda (Infineon)		0431 (Module)	6/8/05	(32Mbx8)*9	SR	
<b>Micron*</b>	<b>MT9HTF3272Y-40EB2</b>	<b>MT47H32M8BT</b>	<b>Micron</b>		<b>0428 (Module)</b>	<b>6/8/05</b>	<b>(32Mbx8)*9</b>	<b>SR</b>	
Samsung*	M393T3253FG0-CCC	K4T56083QF	Samsung		0521 (Module)	6/8/05	(32Mbx8)*9	SR	
<b>Samsung</b>	<b>M393T3253FZ0-CCC</b>	<b>K4T56083QF</b>	<b>Samsung</b>		<b>0521 (Module)</b>	<b>6/8/05</b>	<b>(32Mbx8)*9</b>	<b>SR</b>	
<b>Samsung</b>	<b>M393T3253FZ3-CCC</b>		<b>Samsung</b>		<b>0524 (Module)</b>	<b>8/5/05</b>	<b>(32Mbx8)*9</b>	<b>SR</b>	

*Modules shaded in blue are low profile.*

*Modules in bold text do not contain Lead*

~ Effective May 1st, 2006, Infineon memory products will be known as Qimonda

(+) This vendor is part of the CMTL Certification program. This means this part has/will be tested across all compatible Intel Server Boards. For further information contact CMTL @ <http://cmtlabs.com/>

**Registered, ECC, DDR2-400 DIMM Modules  
512MB Sizes (64Mx72)**

Manufacturer	Part Number	DRAM Part Number	DRAM Vendor	PCB Part Number	Date Code	Date	DRAM Organization	Rank	EOL
Hynix*	HYMP564R72P8-E3		Hynix		0444 (Module) 0437A (Component)	6/8/05	(64Mbx8)*9	SR	
Micron	MT9HTF6472Y-40EB2	MT47H64M8BT	Micron		0509 (Module)	6/8/05	(64Mbx8)*9	SR	
~ Qimonda (Infineon)	HYS72T64000HR-5-A	HYB18T512800AF	~ Qimonda (Infineon)		0502 (Module)	6/8/05	(64Mbx8)*9	SR	
Samsung	M393T6453FG0-CCC	K4T56083QF	Samsung		0521 (Module)	6/8/05	(32Mbx8)*18	DR	
Samsung	M393T6453FZ0-CCC	K4T56083QF	Samsung		0521 (Module)	6/8/05	(32Mbx8)*18	DR	
Samsung	M393T6450FG0-CCC	K4T56043QF	Samsung		0521 (Module)	6/8/05	(64Mbx4)*18	SR	
Samsung	M393T6450FZ0-CCC	K4T56043QF	Samsung		0521 (Module)	6/8/05	(64Mbx4)*18	SR	
+ATP Electronics	AH64K72N8BHC4S	K4T51083QC-ZCD5 rev C	Samsung			9/13/05	(64Mbx8)*9	SR	
+Ventura Technology Group	D2-52KC53SV-333	K4T56043QF-ZCD5 rev F	Samsung	D2R472 na		9/28/05	(64Mbx4)*18	SR	
Samsung	M393T6553BG0-CCC		Samsung		0521 (Module)	7/1/05	(64Mbx8)*9	SR	
Samsung	M393T6553BZ0-CCC		Samsung		0521 (Module)	7/1/05	(64Mbx8)*9	SR	
Samsung	M393T6553CZ0-CCC		Samsung		0523 (Module)	7/11/05	(64Mbx8)*9	SR	
Samsung	M393T6553CZ3-CCC		Samsung		0523 (Module)	7/11/05	(64Mbx8)*9	SR	
Samsung	M393T6453FZ3-CCC		Samsung		0524 (Module)	8/5/05	(32Mbx8)*18	DR	
Samsung	M393T6450FZ3-CCC		Samsung		0524 (Module)	8/5/05	(64Mbx4)*18	SR	
+Kingston	KVR400D2S8R3/5 12I	NT5TU64M8AE-37B rev A	Nanya	2025263-001.C00 na		10/05	(64Mbx8)*9	SR	
+Kingston	KVR400D2S8R3/5 12I	HYB18T512800AF37 rev A	~ Qimonda (Infineon)	2025263-001.C00 na		11/05	(64Mbx8)*9	SR	
Nanya Technology Corporation	NT512T72U89A0B V-5A	NT5TU64M8AE-5A rev A	Nanya	NTPCB0002 0P (0509) na		1/12/06	(64Mbx8)*9	SR	
+Legend	L64723C7-R41H2H1F	HY5PS12821FP-E3 rev 1st Gen.	Hynix	104 (0530,0534)		2/15/06	(64Mbx8)*9	SR	
+TRS	TRS31260	HYB18T512800AF5 rev A	~ Qimonda (Infineon)	M0551LA1 rev 1		3/20/06	(64Mbx8)*9	SR	

<b>Registered, ECC, DDR2-400 DIMM Modules 512MB Sizes (64Mx72)</b>									
<b>Manufacturer</b>	<b>Part Number</b>	<b>DRAM Part Number</b>	<b>DRAM Vendor</b>	<b>PCB Part Number</b>	<b>Date Code</b>	<b>Date</b>	<b>DRAM Organization</b>	<b>Rank</b>	<b>EOL</b>
Ventura Technology Group	D2-52KD65SV-333	K4T51083QC-ZCD5 rev C	Samsung	D2R18A na		04/17/06			
Kingston	KVR400D2S8R3/5 12I	E5108AG-5C-E rev G	Elpida	2025263-001.C00 na		7/6/06	(64Mbx8)*9		

*Modules shaded in blue are low profile.*

*Modules in bold text do not contain Lead*

~ Effective May 1st, 2006, Infineon memory products will be known as Qimonda

(+) This vendor is part of the CMTL Certification program. This means this part has/will been tested across all compatible Intel Server Boards. For further information contact CMTL @ <http://cmtlabs.com/>

**Registered, ECC, DDR2-400 DIMM Modules  
1 GB Sizes (128Mx72)**

Manufacturer	Part Number	DRAM Part Number	DRAM Vendor	PCB Part Number	Date Code	Date	DRAM Organization	Rank	EOL
Hynix	HYMP512R72P4-E3		Hynix		0425A (Module)	6/8/05	(128Mbx4)*18	SR	
Micron	MT18HTF12872Y-40EA2	MT47H64M8BT	Micron		0431 (Module)	6/8/05	(128Mbx4)*18	SR	
Samsung	M393T2950BG0-CCC	K4T51043QB	Samsung		0521 (Module)	6/8/05	(128Mbx4)*18	SR	
Samsung	M393T2950BZ0-CCC	K4T51043QB	Samsung		0521 (Module)	6/8/05	(128Mbx4)*18	SR	
+Dataram	DTM63310A	HYB18T512400AF5 rev A	~ Qimonda (Infineon)			9/13/05	(128Mbx4)*18	SR	
Netlist*, Incorporated	NLD127R21203F-D32KIA	HYB18T512400AF5 rev A	~ Qimonda (Infineon)	208-10 rev A		9/20/05	(128Mbx4)*18	SR	
Samsung	M393T2950CZ0-CCC		Samsung		0523 (Module) 0522 (Comp.)	10/9/05	(128Mbx4)*18	SR	
Samsung	M393T2950CZ3-CCC		Samsung		0523 (Module) 0522 (Comp.)	10/9/05	(128Mbx4)*18	SR	
Samsung	M393T2953BG0-CCC		Samsung		0521 (Module)	7/1/05	(64Mbx8)*18	SR	
Samsung	M393T2953BZ0-CCC		Samsung		0521 (Module)	7/1/05	(64Mbx8)*18	SR	
Samsung	M393T2953CZ3-CCC		Samsung		0523 (Module)	7/11/05	(64Mbx8)*18	SR	
Micron	MT18HTF12872Y-40EB3		Micron		0522 (Module)	8/5/05	(128Mbx4)*18	SR	
+ATP Electronics	AH28K72M4BHC4S	K4T51043QC-ZCCC rev C	Samsung	SH240M04K1 na		10/10/05	(128Mbx4)*18	SR	
+Kingston	KVR400D2S4R3/1GI	HYB18T512400AF5 rev A	~ Qimonda (Infineon)	2025248-001.B00 na		10/12/05	(128Mbx4)*18	SR	
+Smart Modular Technologies	SB1287RDR21243-5-H	HY5PS12421FP-E3 A 1st Generation	Hynix	E72369 na		10/3/05	(128Mbx4)*18	SR	
+Smart Modular Technologies	SG1287RDR264835IA	HYB18T512800AF37 rev A	~ Qimonda (Infineon)	PG58G240N EBUB2RB rev A		11/4/05	(64Mbx8)*18	SR	
+ATP Electronics	AH28K72L8BHC4S	K4T51083QC-ZCD5 rev C	Samsung	SH240L08K2 na		11/8/05	(64Mbx8)*18	SR	
+Ventura Technology Group	D2-54KF53SV-333	K4T51043QB-ZCCC rev B	Samsung	D2R472		1/6/06	(128Mbx4)*18	SR	
Nanya Technology Corporation	NT1GT72U4PA0B V-5A	NT5TU128M4AE-5A rev A	Nanya	NTPCB00019 (0519, 0515) na		1/16/06	(128Mbx4)*18	SR	
+Kingston	KVR400D2S4R3/1GI	HYB18T512400AF37 rev A	~ Qimonda (Infineon)	2025248-001.B00 na		1/26/06	128M x 4	SR	

<b>Registered, ECC, DDR2-400 DIMM Modules 1 GB Sizes (128Mx72)</b>									
<b>Manufacturer</b>	<b>Part Number</b>	<b>DRAM Part Number</b>	<b>DRAM Vendor</b>	<b>PCB Part Number</b>	<b>Date Code</b>	<b>Date</b>	<b>DRAM Organization</b>	<b>Rank</b>	<b>EOL</b>
+Legend	L12723C7-R41H2M1F	HY5PS12421F-E3 rev 1st Gen.	Hyundai	104		2/20/06	(128Mbx4)*18	SR	
+Dataram	DTM63310J	NT5TU128M4AE-5A rev A	Nanya	40011A rev A		2/22/06	(128Mbx4)*18	SR	
+Smart Modular Technologies	SG1287RDR264835SC	K4T51083QC-ZCD5 rev C	Samsung	PG58G240N EBUB2RB rev A		2/27/06	(64Mbx8)*18	SR	
+Kingston	KVR400D2S8R3/1GI	E1108AA-5C-E rev A	Elpida	2025263-001.C00 na		3/3/06	(128Mx8)*9	SR	
+ATP Electronics	AH28K72M4BHC4S	K4T51043QC-ZCCC rev C	Samsung	SH240M04K2 na		3/15/06	(128Mbx4)*18	SR	
TRS	TRS31265	HYB18T512400AF5 rev A	~ Qimonda (Infineon)	M0549LA1 rev 1		04/06/06			
Wintec Industries	39S931341A-L	HYB18T512400AF5 rev A	~ Qimonda (Infineon)	D2R472		04/28/06	(128Mbx4)*18	SR	
Kingston	KVR400D2S8R3/1GI	HYB18T1G800AF-5 rev A	~ Qimonda (Infineon)	2025263-001.C00		05/03/06	(128Mx8)*9	SR	
Apacer	75.063A1.G00	K4T51083QC-ZCD5 rev C	Samsung	48.16188.090 na		05/26/06	(64Mbx8)*18	SR	
Kingston	KVR400D2S4R3/1GI	NT5U128M4AE-5A rev A	Nanya	2025248-001.B00 na		13-Jun-06	(128Mbx4)*18		
Smart Modular Technologies	SG1287RDR212435NA	NT5TU128M4AE-5A rev A	Nanya	NTPCB00019P		30-Jun-06	(128Mbx4)*18		

*Modules shaded in blue are low profile.*

*Modules in bold text do not contain Lead*

~ Effective May 1st, 2006, Infineon memory products will be known as Qimonda

(+) This vendor is part of the CMTL Certification program. This means this part has/will be tested across all compatible Intel Server Boards. For further information contact CMTL @ <http://cmtlabs.com/>

**Registered, ECC, DDR2-400 DIMM Modules  
2 GB Sizes (256Mx72)**

Manufacturer	Part Number	DRAM Part Number	DRAM Vendor	PCB Part Number	Date Code	Date	DRAM Organization	Rank	EOL
Hynix	HYMP125R72MP4-E3-AA		Hynix		0444 (Module)	6/8/05	(128Mbx4)* 36	DR	
~ Qimonda (Infineon)	HYS72T256000HR-5-A	HYB18T1G400AF-5	~ Qimonda (Infineon)		0452 (Module)	6/8/05	(256Mbx4)* 18	SR	
Micron	MT18HTF25672Y-40EA2	MT47H128M8BT	Micron		0431 (Module)	6/8/05	(256Mbx4)* 18	SR	
Samsung	M393T5750BS0-CCC	K4T51043QB	Samsung		0521 (Module)	6/8/05	(128Mbx4)* 36	SR	
Samsung	M393T5750BY0-CCC	K4T51043QB	Samsung		0521 (Module)	6/8/05	(128Mbx4)* 36	DR	
+Smart Modular Technologies	SB2567RDR212835IA	HYB18T512400AF5 rev A	~ Qimonda (Infineon)			9/13/05	(128Mbx4)* 36	DR	
+Smart Modular Technologies	SM2567RDR22543-5-1	HYB18T1G400AF-5 rev A	~ Qimonda (Infineon)			9/13/05	(256Mbx4)* 18	SR	
+Dataram	DTM63309A	HYB18T512400AF5 rev A	~ Qimonda (Infineon)			9/13/05	(128Mbx4)* 36	DR	
Netlist, Incorporated	NLD257R212038-D32KIA	HYB18T512400AF5 rev A	~ Qimonda (Infineon)	0203-10 rev A		9/16/05	(128Mbx4)* 36	DR	
Samsung	M393T5660MZ0-CCC		Samsung		0523 (Module)	7/11/05	(256Mbx4)* 18	SR	
Samsung	M393T5660MZ3-CCC		Samsung		0523 (Module)	7/11/05	(256Mbx4)* 18	SR	
Hynix	HYMP125R72P4-E3		Hynix		0521 (Module)	8/5/05	(256Mbx4)* 18	SR	
Micron	MT36HTF25672Y-40EB1		Micron		0523 (Module)	8/5/05	(128Mbx4)* 36	DR	
Samsung	M393T5750CZ0-CCC		Samsung		0523 (Module)	10/9/05	(128Mbx4)* 36	DR	
Samsung	M393T5750CZ3-CCC		Samsung		0523 (Module)	10/9/05	(128Mbx4)* 36	DR	
+Smart Modular Technologies	SG2567RDR21283-5-H	HY5PS1G421MP-E3 rev A	Hynix	0518-1,-2,-3,-4,-6		10/17/05	(128Mbx4)* 36	DR	
+ATP Electronics	AH56K72J4BHC4C	HYB18T512400AF5 rev A	~ Qimonda (Infineon)	SH240J04K1		10/20/05	(128Mbx4)* 36	DR	
+Kingston	KVR400D2D4R3/2GI	HYB18T512400AF5 rev A	~ Qimonda (Infineon)	2025292-001.B00 na		10/27/05	(128Mbx4)* 36	DR	
+Apacer	76.A222G.B15	K4T51043QC-ZCCC rev C	Samsung	48.1A189.012 rev 2		11/18/05	(128Mbx4)* 36	DR	
Nanya Technology Corporation	NT2GT72U4NA1B V-5A	NT5TU128M4AE-5A rev A	Nanya	NTPCB00037P (0514) na		1/10/06	(128Mbx4)* 36	DR	
+Kingston	KVR400D2D4R3/2GI	HYB18T512400AF37 rev A	~ Qimonda (Infineon)	2025292-001.B00 na		3/9/06	(128Mbx4)* 36	DR	

<b>Registered, ECC, DDR2-400 DIMM Modules 2 GB Sizes (256Mx72)</b>									
<b>Manufacturer</b>	<b>Part Number</b>	<b>DRAM Part Number</b>	<b>DRAM Vendor</b>	<b>PCB Part Number</b>	<b>Date Code</b>	<b>Date</b>	<b>DRAM Organization</b>	<b>Rank</b>	<b>EOL</b>
Kingston	KVR400D2D8R3/2 GI	HYB18T1G800AF-5 rev A	Infineon	2025302-001.A00 na		04/03/06			
TRS	TRS31270	HYB18T1G400AF-5 rev A	Infineon	M0549LA1 rev 1		04/12/06			
Kingston	KVR400D2D8R3/2 GI	E1108AA-5C-E rev A	Elpida	2025302-001.A00 na		04/21/06			
Kingston	KVR400D2D4R3/2 GI	NT5TU128M4AE-5A rev A	Nanya	2025292-001.B00 na		6/21/06	(128Mbx4)* 36		

*Modules shaded in blue are low profile.*

*Modules in bold text do not contain Lead*

~ Effective May 1st, 2006, Infineon memory products will be known as Qimonda

(+) This vendor is part of the CMTL Certification program. This means this part has/will be tested across all compatible Intel Server Boards. For further information contact CMTL @ <http://cmtlabs.com/>

<b>Registered, ECC, DDR2-400 DIMM Modules 4 GB Sizes (256Mx72)</b>									
<b>Manufacturer</b>	<b>Part Number</b>	<b>DRAM Part Number</b>	<b>DRAM Vendor</b>	<b>PCB Part Number</b>	<b>Date Code</b>	<b>Date</b>	<b>DRAM Organization</b>	<b>Rank</b>	<b>EOL</b>
Hynix	HYMP351R72MP4-E3 AA		Hynix		0524 (Module)	10/9/05	(256Mbx4)* 36	DR	
Micron	MT36HTJ51272Y-40EA2		Micron		0517 (Module)	10/9/05	(256Mbx4)* 36	DR	
+Smart Modular Technologies	SG5127RDR22563 5IA	HYB18T1G400AF-5 rev A	~ Qimonda (Infineon)	PG516G240 NESUC1RK rev A		12/2/05	(256Mbx4)* 36	DR	
+Kingston	KVR400D2D4R3/4 GI	E1104AA-4A-E rev A	Elpida	2025343-001.A00 na		12/7/05	(256Mbx4)* 36	DR	

*Modules shaded in blue are low profile.*

*Modules in bold text do not contain Lead*

~ Effective May 1st, 2006, Infineon memory products will be known as Qimonda

(+) This vendor is part of the CMTL Certification program. This means this part has/will been tested across all compatible Intel Server Boards. For further information contact CMTL @ <http://cmtlabs.com/>



## 4. RAID On MotherBoard (ROMB) Memory Tested

The following tables list DIMM devices tested to be compatible with the RAID subsystem of the Intel® Server Board SE8500HW4. The list of tested memory is periodically updated as qualified memory is added during the production life of the Intel product.

Intel strongly recommends the use of ECC memory in all server products.

Memory modules not listed in the following tables have not been tested for compatibility and their use with the RAID subsystem of the Server Board SE8500HW4 may result in unpredictable operation and data loss.

**Caution:** Third party memory vendors may use the same module part number with different DRAM vendors and die revisions. To insure proper system operation, verify that each DRAM vendor and die revision has been separately tested and qualified. Please notify CMTL if there is a discrepancy. This list is subject to change without notice.

**Note:** This list is not intended to be all-inclusive. It is provided as a convenience to Intel's general customer base, but Intel does not make any representations or warranties whatsoever regarding the quality, reliability, functionality, or compatibility of these memory modules.

<i>Server Board SE8500HW4 RAID On MotherBoard (ROMB)</i>				
Manufacturer	Manufacturer Part Number	Size	Device Organization *(#devices)	Date Codes
<b>Micron</b>	<b>MT9HTF3272Y-40EB2</b>	<b>256MB</b>	<b>(32Mbx8)*9</b>	<b>0431 (Module)</b>
~ <b>Qimonda (Infineon)</b>	<b>HYS72T3200HR-5-A</b>	<b>256MB</b>	<b>(32Mbx8)*9</b>	<b>0428 (Module)</b>
Samsung	M393T3253FG0-CCC	256MB	(32Mbx8)*9	0521 (Module)
<b>Samsung</b>	<b>M393T3253FZ0-CCC</b>	<b>256MB</b>	<b>(32Mbx8)*9</b>	<b>0521 (Module)</b>
<b>Samsung</b>	<b>M393T3253FZ3-CCC</b>	<b>256MB</b>	<b>(32Mbx8)*9</b>	<b>0524 (Module)</b>
<b>Hynix</b>	<b>HYMP564R72P8-E3</b>	<b>512MB</b>	<b>(64Mbx8)*9</b>	<b>0444 (Module) 0437A (Component)</b>
~ <b>Qimonda (Infineon)</b>	<b>HYS72T6400HR-5-A</b>	<b>512MB</b>	<b>(64Mbx8)*9</b>	<b>0502 (Module)</b>
<b>Samsung</b>	<b>M393T6553BZ0-CCC</b>	<b>512MB</b>	<b>(64Mbx8)*9</b>	<b>0521 (Module)</b>
<b>Samsung</b>	<b>M393T6553CZ0-CCC</b>	<b>512MB</b>	<b>(64Mbx8)*9</b>	<b>0523 (Module)</b>
<b>Samsung</b>	<b>M393T6553CZ3-CCC</b>	<b>512MB</b>	<b>(64Mbx8)*9</b>	<b>0523 (Module)</b>
<b>Micron</b>	<b>MT9HTF6472Y-40EB2</b>	<b>512MB</b>	<b>(64Mbx8)*9</b>	<b>0509 (Module)</b>

*Modules shaded in blue are low profile.*

**Modules in bold text do not contain Lead**

~ Effective May 1st, 2006, Infineon memory products will be known as Qimonda

The Intel® RAID On MotherBoard (ROMB) DIMM should be either a 256MB or 512MB single rank device (with at maximum nine x8 devices) due to the Intel® RAID Smart Battery (RSB) retention time requirements.

## 5. Sales Information

Vendor Name	Web URL	Vendor Direct Sales Info
ATP Electronics	<a href="http://www.atpinc.com/">http://www.atpinc.com/</a>	Albert Chung Tel: (1) 408-732-5831, Ext 5858 Fax: (1) 408-732-5055 <a href="mailto:sales@atpinc.com">sales@atpinc.com</a>
ATP Electronics -- Taiwan Inc.	<a href="http://www.atpinc.com/">http://www.atpinc.com/</a>	Patty Kuo Tel 011-886-2-2659-6368 Fax 886-2-2659-4982
Avant Technology	<a href="http://www.avanttechnology.com">http://www.avanttechnology.com</a>	Brad Scoggins Phone: (512)491-7411 Fax: (512)491-7412 <a href="mailto:brads@avanttechnology.com">brads@avanttechnology.com</a>
Buffalo Technology	<a href="http://www.buffalotech.com/">http://www.buffalotech.com/</a>	(800) 967-0959 <a href="mailto:memory@buffalotech.com">memory@buffalotech.com</a>
Dataram	<a href="http://www.dataram.com/">http://www.dataram.com/</a>	Paul Henke, 800-328-2726 x2239 in USA 609-799-0071 <a href="mailto:phenke@dataram.com">phenke@dataram.com</a>
Hyundai/Hynix Semiconductor	<a href="http://www.heacom/">http://www.heacom/</a>	<a href="http://www.hynix.com/datasheet/eng/module/module_sub.jsp?RK=08&amp;SK=RD&amp;RAM_NAME=DDR2%20SDRAM&amp;SUB_RAM=512MB&amp;SUB_RAM1=1GB&amp;SUB_RAM2=2GB&amp;SUB_RAM3=4GB">http://www.hynix.com/datasheet/eng/module/module_sub.jsp?RK=08&amp;SK=RD&amp;RAM_NAME=DDR2%20SDRAM&amp;SUB_RAM=512MB&amp;SUB_RAM1=1GB&amp;SUB_RAM2=2GB&amp;SUB_RAM3=4GB</a>
~ Qimonda (Infineon)	<a href="http://www.infineon.com/business/distrib/indx.htm">http://www.infineon.com/business/distrib/indx.htm</a>	<a href="http://www.infineon.com/cgi-bin/afx/portal/ep/programView.do?channelId=-64258&amp;programId=32841&amp;programPage=%2Fep%2Fprogram%2Ftypelist.jsp&amp;pageTypeld=17099&amp;BV_SessionID=@@ @0484552071.1127159115@@ @&amp;BV_EngineID=cceaddfjliikgcfqcegnfdifdfoh.0">http://www.infineon.com/cgi-bin/afx/portal/ep/programView.do?channelId=-64258&amp;programId=32841&amp;programPage=%2Fep%2Fprogram%2Ftypelist.jsp&amp;pageTypeld=17099&amp;BV_SessionID=@@ @0484552071.1127159115@@ @&amp;BV_EngineID=cceaddfjliikgcfqcegnfdifdfoh.0</a>
Micron	<a href="http://silicon.micron.com/mktg/">http://silicon.micron.com/mktg/</a> <a href="http://silicon.micron.com/mktg/mbqual/qual_data.cfm">http://silicon.micron.com/mktg/mbqual/qual_data.cfm</a>	<a href="http://www.micron.com/products/modules/dr2sdram/partlist.aspx?pincount=240-pin&amp;version=Registered&amp;package=DIMM">http://www.micron.com/products/modules/dr2sdram/partlist.aspx?pincount=240-pin&amp;version=Registered&amp;package=DIMM</a>
Netlist, Inc	<a href="http://www.netlistinc.com">http://www.netlistinc.com</a>	Christopher Lopes 949.435.0025 tel 949.435.0031 fax <a href="mailto:sales@netlistinc.com">sales@netlistinc.com</a>
Samsung	<a href="http://www.korea.samsungsemi.com/locate/buy/list_na.html">http://www.korea.samsungsemi.com/locate/buy/list_na.html</a>	For US customers go to: <a href="http://www.mymemorystore.com/">http://www.mymemorystore.com/</a> Or <a href="http://www.samsung.com/Products/Semiconductor/common/product_list.aspx?family_cd=DRM070201">http://www.samsung.com/Products/Semiconductor/common/product_list.aspx?family_cd=DRM070201</a>
SMART Modular Technologies	<a href="http://www.smartm.com/channel">http://www.smartm.com/channel</a>	Gene Patino (949) 439-6167 <a href="mailto:Gene.Patino@Smartm.com">Gene.Patino@Smartm.com</a>

## 6. CMTL\* (Computer Memory Test Labs)

---

CMTL is a privately owned and operated memory testing organization responsible for testing a broad range of memory products. Memory devices tested by CMTL must undergo a rigorous battery of tests to ensure that the product will perform the intended server functions. Memory capability is a major factor your customers consider. CMTL has the ability to test and certify memory on Intel-based server platforms. The list of memory modules, which have undergone testing through the CMTL facility, should be referenced when considering modules for integration into this Intel server product. Stringent standards with regard to manufacturing procedures and quality must be met to pass the exacting tests required for qualification through the independent testing facility. Testing is performed by CMTL with Intel server products and test procedures defined by Intel's Memory Qualification Lab. Intel routinely audits the CMTL facility to ensure all procedures, process handling, and testing methodologies are met.

### IMPORTANT NOTE

DIMM devices with gold contacts should NOT be placed into DIMM sockets with tin-lead contacts or vice-versa. Mixing dissimilar metal contact types has been shown to result in unreliable memory operation. Intel recommends similar manufacturer and similar speeds in each Rank on the memory module. Mixing of dissimilar memory manufacturer devices or dissimilar memory device speeds is not recommended. This document contains information which is the proprietary property of Intel Corporation. Nothing in this document constitutes a guaranty, warranty, or license, express or implied. Intel has tested the following DIMMs for minimum electrical and functional compatibility with the Intel® Server RAID Controller. This listing is not intended to be all inclusive; it only represents the DIMMs Intel or CMTL has tested. Users of this list are reminded to check with the DIMM manufacturer or Distributor to ensure that a particular DIMM model is adequate for the intended purpose on the Intel® Server RAID Controller. Intel provides no indemnities for and expressly disclaims all liabilities for any and all such guaranties, representations, and warranties (oral or written) whether express or implied, related to DIMMs in a Intel® Server RAID Controller product, including without limitation to: fitness for a particular purpose; merchantability; noninfringement of intellectual property or other rights of any third party or of Intel. The reader is advised that third parties may have intellectual property rights which may be relevant to this document and the technologies discussed herein, and is advised to seek the advice of competent legal counsel, without obligation of Intel. Intel retains the right to make changes to this document at any time, without notice. Intel makes no warranty or representation with respect to the use of this document or reliance by the reader upon its contents, and assumes no responsibility for any errors which may appear in the document nor does it make a commitment to update the information contained herein.

Product and corporate names listed in this document may be trademarks of their respective companies.