

7 Install Optical Drive and Hard Drive(s)

See the documentation that came with your server chassis for drive installation instructions.

8 Connect Hard Drives, IDE Drives, Floppy Drive to Server Board

9 Attach Intrusion Switch Cable

10 Serial B / EMP and USB Connections

11 Chassis and Heatsink Fan Connections

12 Install Intel® Management Module (optional)

13 Install PCI Express* or PCI-X* Riser Bracket and Add-in Card

Note: You can install one of the two add-in riser cards. Follow the instructions for your choice.

PCI-X Riser

PCI Express Riser

14 Make Server Board Power Connections

CAUTION: Note the location of the latch on each power cable connector and align it with the matching tab on each server board socket.

15 Finish Up

Before installing your operating system, you must finish your chassis installation, make I/O connections and plug in AC power.

CAUTION: See your chassis documentation for AC power and grounding requirements.

16 Software

- BIOS, Drivers, and Operating System Installation

A. Confirm BIOS Version: Look on the Server/System Management screen in the BIOS Setup Utility to determine the installed BIOS version. Compare this to the versions at: <http://support.intel.com/support/motherboards/server/SE7520BB2>. If new versions are available, update the BIOS on your server. See the User Guide on the Intel® Server Deployment Toolkit CD for update instructions.

B. Configure your RAID Controller (optional): If installing a RAID controller, see the instructions provided with the RAID controller.

C. Install your Operating System: Use the instructions provided with the RAID controller and with the operating system.

D. Install Operating System Drivers: With the operating system running, insert the Intel® Server Deployment Toolkit CD. If using a Microsoft® Windows® operating system, the Express Installer will autorun and allow you to select the appropriate drivers to install. On other operating systems, browse the CD folders to locate and install the driver files.

E. Install Intel® System Management Software (optional): Download and install the Intel System Management Software from <http://support.intel.com/support/motherboards/server/SE7520BB2>

F. Install Intel® SMaRT Tool (optional): With the operating system running, insert the Intel® Server Deployment Toolkit CD. The Express Installer will autorun. Click Intel® SMaRT Tool at the left side of the screen. Follow the on-screen instructions. For information about Intel® SMaRT Tool, see <http://developer.intel.com/design/servers/smartool/index.htm>.

Reference

Common Problems and Solutions

For a list of hardware components that have been tested with this system, see: <http://support.intel.com/support/motherboards/server/S500PSL/>

The system does not boot or show video at power-on.

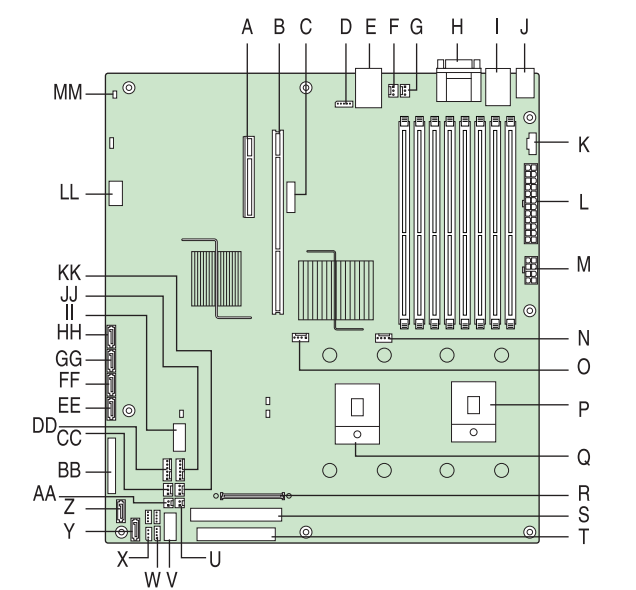
- Check that +12V CPU power connector is plugged in. Without this cable the processor will not have any power.
- Beep code 4-3-2-1 in a system using a Dual Core Intel® Xeon® Processor LV means you have unrecognized or bad memory.
- Remove and replace DIMMs one bank at a time to isolate which one is causing problems.
- Remember, all DIMMs must be:
 - DDR2-400 MHz compliant registered ECC DIMMs
 - The same speed.
 - From the same manufacturer.
 - Installed beginning with DIMM 1B.
 - Your power supply must provide a minimum of 200 watts with 2A standby current, which complies with the SSI EPS 12 V specification.

The system sometimes works, but is exhibiting erratic behavior.

- This is typically the result of using an under-rated power supply. Make sure you are using at least a 200 watt power supply.

Intel® Server Board SE7520BB2 Component Layout

- | | |
|---------------------------------------|------------------------------|
| A. PCI Express* x8 Slot | U. System Fan 2 (2-pin) |
| B. PCI-X* 64/133 Slot | V. USB Header |
| C. CMOS Battery | W. Front Panel LCD Header |
| D. ICMB Header | X. IPMB Header |
| E. NIC 1 / NIC2 Ports | Y. SATA_A1 Connector |
| F. System Fan 5 | Z. SATA_A0 Connector |
| G. System Fan 6 | AA. System Fan 1 (2-pin) |
| H. Video Connector | BB. Front Panel Connector |
| I. Keyboard / Mouse Connectors | CC. System Fan 1 (3-pin) |
| J. USB Ports | DD. System Fan 3 (6-pin) |
| K. Auxiliary Power Signal Connector | EE. SATA_B0 Connector |
| L. Main Power Connector | FF. SATA_B1 Connector |
| M. Processor Power Connector | GG. SATA_B3 Connector |
| N. Processor 1 Heatsink Fan Header | HH. SATA_B4 Connector |
| O. Processor 2 Heatsink Fan Header | II. OEM RMC Connector |
| P. Processor 1 Socket | JJ. System Fan 4 (6-pin) |
| Q. Processor 2 Socket | KK. System Fan 2 (3-pin) |
| R. Server Management Module Connector | LL. Serial B Header |
| S. Primary IDE Connector | MM. Chassis Intrusion Header |
| T. Floppy Connector | |



Accessory	Order Code
Intel® Remote Management Module	AXXRMM
Hard Drive Power Connector Converter Cable	ASLPWR/CABLE
OEM 5-pack Intel® Server Board SE7520BB2 with 8 DDR2 DIMM sockets, Dual Core Intel® Xeon Processor LV	BBBBB
OEM 24-count tray, 2.0 GHz Dual Core Intel® Xeon Processor LV	BX80539KF20002M
OEM 24-count tray, 1.6 GHz Dual Core Intel® Xeon Processor LV	BX80539KF16672M
24-count passive processor heatsink for 1U enclosure	ABBHEATSINKS
1-count processor blank for use in single processor configuration	ABBUPCONFIG

A complete list of accessories and spares can be found at: www.intel.com/go/serverbuilder

