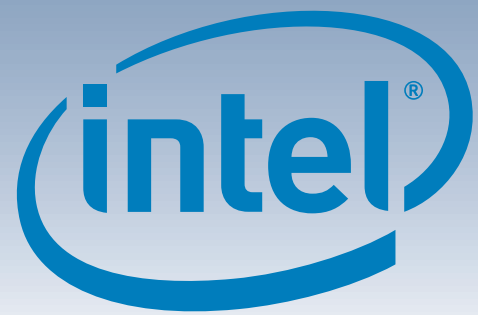
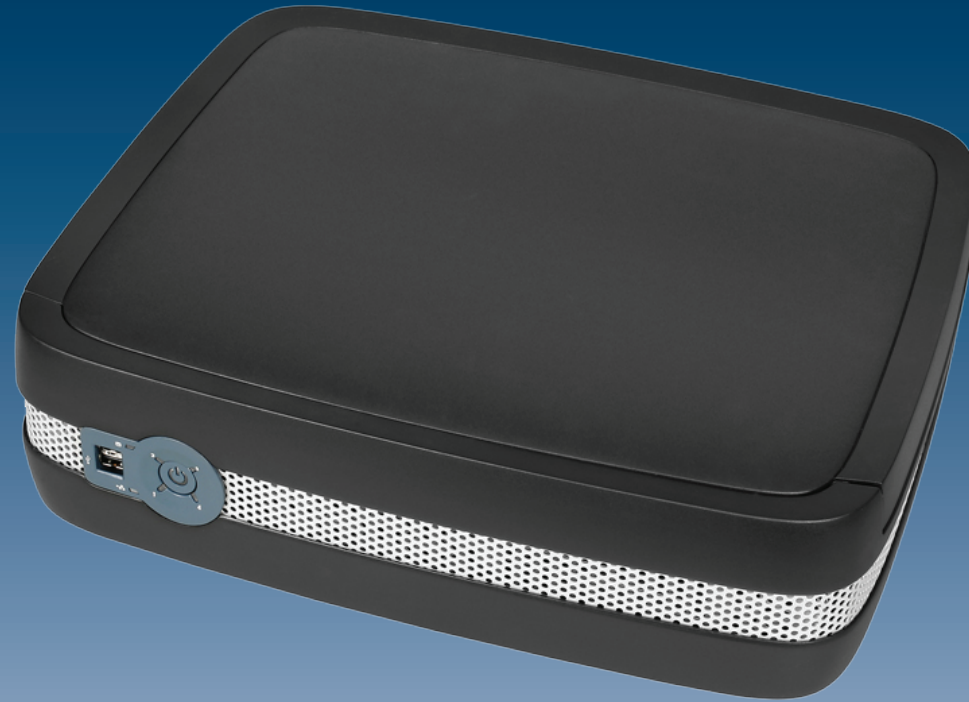


Intel® Entry Storage System SS4200-E Quick Start User's Guide

Thank you for purchasing an Intel® Entry Storage System SS4200-E. This document describes how to set up the Intel® Entry Storage System SS4200-E, install hard drives, turn on the system, and complete basic setup for the system.

This guide and other supporting documents are located on the web at <http://support.intel.com/support/motherboards/server>.

If you are not familiar with ESD (Electrostatic Discharge) procedures used during system integration, please see the *Intel® Server Board and Server Chassis Safety Information* document at <http://support.intel.com/support/motherboards/server/sb/cs-010770.htm>.



Warning

Safety information: Read all the safety and caution statements in this document before performing any of the instructions. Also, see the *Intel® Server Board and Server Chassis Safety Information* document at: <http://support.intel.com/support/motherboards/server/sb/cs-010770.htm> for complete safety information.

Installation and service: Installation and service of this product is to be performed only by qualified service personnel to avoid risk of injury from electrical shock or energy hazard.

Enclosure cover: In order to comply with applicable safety, emission, and thermal requirements, no covers should be removed.

Caution

Electrostatic discharge: Observe normal Electrostatic Discharge (ESD) procedures during system integration to avoid possible damage to the system board and/or other components of the storage system.

Storage system power: The power connection must always be removed before disconnecting the power supply module from the storage enclosure.

Package Contents

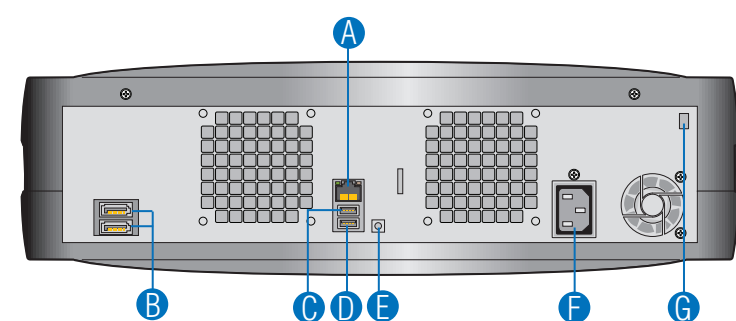
- Intel® Entry Storage System SS4200-E
- This document
- (16) RVR (rotational vibration reduction) screws (inside chassis). Spare screws located, inside, next to front panel board.
- AC power cord (North America only)
- Resource CD

Installation Requirements

- One wired RJ-45 network connection
- Microsoft Internet Explorer® 6.0 or later, or Firefox® 1.06 or later
- One installed Serial ATA hard drive with 80-GB minimum capacity (a minimum of two drives are recommended to provide data protection)

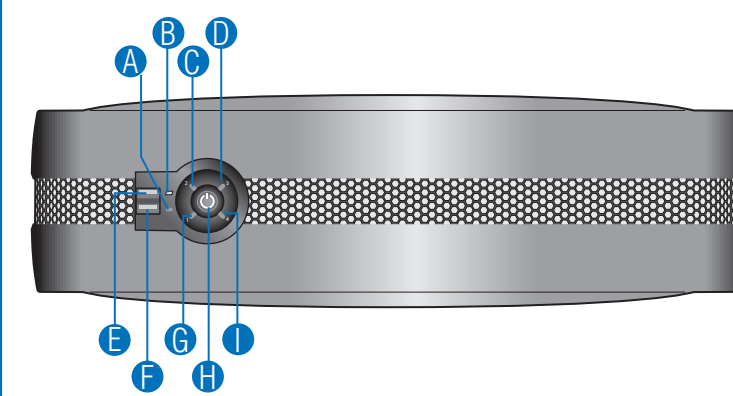
Refer to the *Tested Hardware and Operating Systems List* on <http://support.intel.com/support/motherboards/server> for a list of compatible operating systems and hard drives.

Back Panel



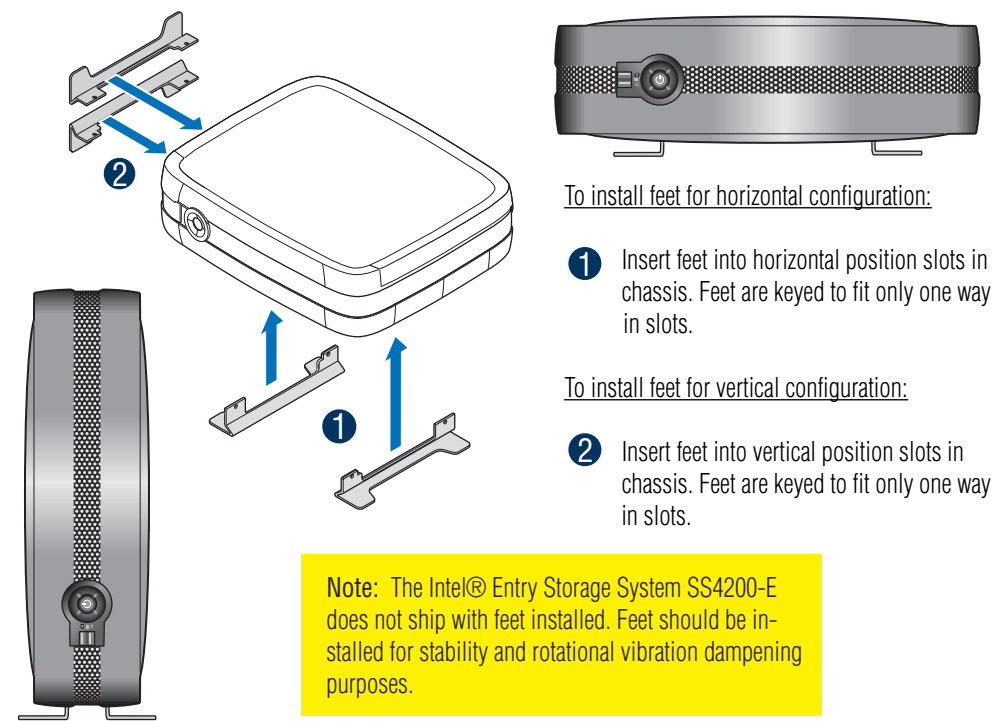
- | | | |
|-------------------|----------------|----------------------|
| A NIC Port (1 GB) | D USB Port 3 | G Chassis Cable Lock |
| B e-SATA Ports | E Reset Button | |
| C USB Port 2 | F A/C Power | |

Front Panel



- | | |
|---------------------------|----------------------------|
| A NIC Activity LED | F USB Port 1 |
| B Disk Drive Activity LED | G Disk Drive 1 Status LED |
| C Disk Drive 2 Status LED | H Power/Status Push-button |
| D Disk Drive 3 Status LED | I Disk Drive 4 Status LED |
| E USB Port 0 | |

1 Configure Feet

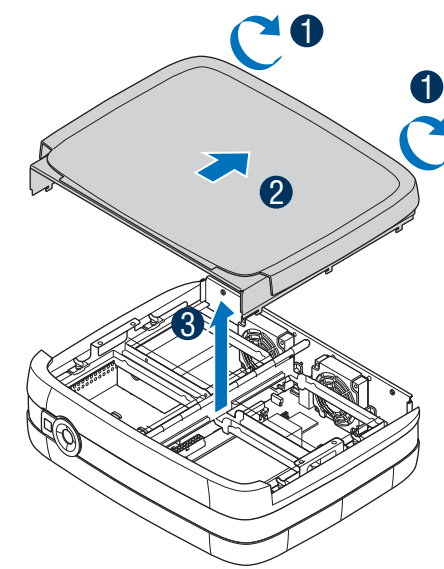


If NO hard drives are installed in your system, proceed with Step 2.

If hard drives are installed in your system, proceed with Step 5.

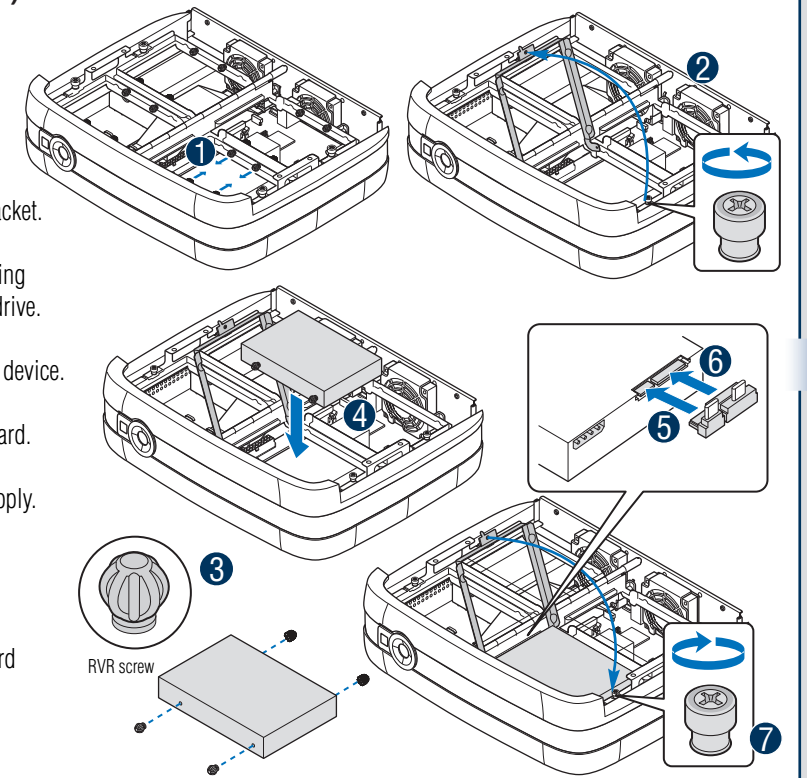
2 Remove Enclosure Cover

- 1 Loosen the two captive screws at rear of system.
- 2 Slide enclosure cover toward rear of system.
- 3 Lift enclosure cover upward to remove from system.



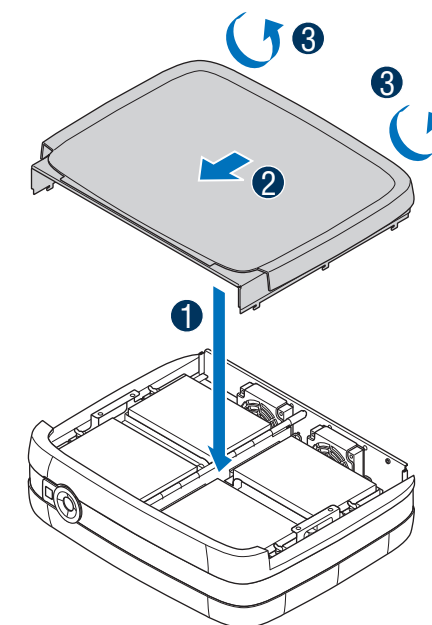
3 Install Hard Drive(s)

- 1 Remove four RVR screws from drive retention bracket.
- 2 Loosen the captive screw at front of drive retention bracket and lift up bracket.
- 3 Remove new hard drive from packaging and attach four RVR screws to hard drive.
- 4 Install hard drive into drive retention device.
- 5 Connect SATA cable from system board.
- 6 Connect power cable from power supply.
- 7 Lower drive retention bracket and tighten captive screw.
- 8 Repeat above steps for remaining hard drives.



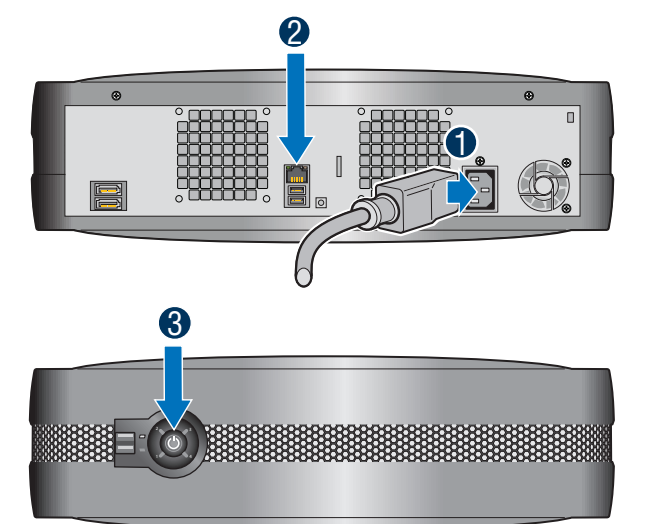
4 Install Enclosure Cover

- 1 Align enclosure cover over sides of system.
- 2 Slide enclosure cover toward front of system.
- 3 Tighten the two captive screws at rear of system to secure enclosure cover to chassis.



5 Connect Cables

- 1 Connect power cord to back of storage system.
- 2 Connect RJ-45 cable from your network (client, switch, router, hub, etc.) to the Ethernet port.
- 3 Power up system by pressing power button on front panel. The power button LED will turn solid blue when system is operational.



Accessories and Order Codes	
Power Supply	FXXSS4200EPSU
Cooling Fan	FXXSS4200EFAN
RVR Screw	FXXSS4200ESCR

A complete list of accessories and spares can be found at: www.intel.com/go/serverbuilder.

E20700-002



Intel is a registered trademark of Intel Corporation or its subsidiaries in the United States and other countries.

*Other names and brands may be claimed as the property of others.
Copyright © 2007, Intel Corporation. All rights reserved.