

Intel® Storage System SSR316MJ2 Power Distribution Module (FMJPDB)

Installation Guide

Order Number: C75952-002



Disclaimer

Information in this document is provided in connection with Intel® products. No license, express or implied, by estoppel or otherwise, to any intellectual property rights is granted by this document. Except as provided in Intel's Terms and Conditions of Sale for such products, Intel assumes no liability whatsoever, and Intel disclaims any express or implied warranty, relating to sale and/or use of Intel products including liability or warranties relating to fitness for a particular purpose, merchantability, or infringement of any patent, copyright or other intellectual property right. Intel products are not designed, intended or authorized for use in any medical, life saving, or life sustaining applications or for any other application in which the failure of the Intel product could create a situation where personal injury or death may occur. Intel may make changes to specifications and product descriptions at any time, without notice.

Intel is a registered trademark of Intel Corporation or its subsidiaries in the United States and other countries.

* Other names and brands may be claimed as the property of others.

Copyright © 2004 - 2005 Intel Corporation. All Rights Reserved.

Important Safety Instructions

Important Safety Instructions

Read all caution and safety statements in this document before performing any of the instructions. See *Intel Server Boards and Server Chassis Safety Information* at <http://support.intel.com/support/motherboards/server/sb/CS-010770.htm>.

Wichtige Sicherheitshinweise

Lesen Sie zunächst sämtliche Warn- und Sicherheitshinweise in diesem Dokument, bevor Sie eine der Anweisungen ausführen. Beachten Sie hierzu auch die Sicherheitshinweise zu Intel-Serverplatinen und -Servergehäusen unter <http://support.intel.com/support/motherboards/server/sb/CS-010770.htm>.

重要安全指导

在执行任何指令之前，请阅读本文档中的所有注意事项及安全声明。和/或<http://support.intel.com/support/motherboards/server/sb/CS-010770.htm> 上的 *Intel Server Boards and Server Chassis Safety Information*（《Intel 服务器主板与服务器机箱安全信息》）。

Consignes de sécurité

Lisez attention toutes les consignes de sécurité et les mises en garde indiquées dans ce document avant de suivre toute instruction. Consultez *Intel Server Boards and Server Chassis Safety Information* rendez-vous sur le site <http://support.intel.com/support/motherboards/server/sb/CS-010770.htm>.

Instrucciones de seguridad importantes

Lea todas las declaraciones de seguridad y precaución de este documento antes de realizar cualquiera de las instrucciones. Vea *Intel Server Boards and Server Chassis Safety Information* en <http://support.intel.com/support/motherboards/server/sb/CS-010770.htm>.

WARNINGS

Storage system power on/off: The push-button on/off power switch on the front panel of the storage system does not turn off the AC power. To remove AC power from the storage system, you must unplug the AC power cord from either the power supply or wall outlet.

Hazardous conditions—power supply: Hazardous voltage, current, and energy levels are present inside the power supply enclosure. There are no user-serviceable parts inside the power supply; servicing should only be done by technically qualified personnel.

Hazardous conditions—devices and cables: Hazardous electrical conditions may be present on power, telephone, and communication cables. Turn off the storage system and disconnect telecommunications systems, networks, modems, and the power cord attached to the storage system before opening it. Failure to do so can result in personal injury or equipment damage.

Avoid injury: Lifting the storage system chassis and attaching it to the rack is a two-person job. If needed, use an appropriate lifting device. A fully loaded Intel® Storage System SSR316MJ2 weighs approximately 31.8 kg (70 lbs.).

CAUTIONS

Temperature: The operating temperature of the storage system, when installed in an equipment rack, must not go below 5° C (41° F) or rise above 35° C (95° F). Extreme fluctuations in temperature can cause a variety of problems in the storage system.

Ventilation: The equipment rack must provide sufficient airflow to the front of the storage system to maintain proper cooling. It must also include ventilation sufficient to exhaust a maximum of 1900 BTUs per hour for a fully loaded Intel® Storage System SSR316MJ2.

Contents

About the Power Distribution Module	7
Contents.....	7
Power Distribution Module Installation Procedures	8
Required Tools.....	8
Power Down System and Remove Chassis Cover	8
Un-seat Power Supplies.....	9
Remove Fan Assembly Screws	10
Disconnect Fan Cables	11
Remove Fan Assembly	12
Cut Cable Ties and Remove DIMM	13
Disconnect Power Distribution Module Cables	14
Disconnect Cables and Remove Power Distribution Module.....	15
Install New Power Distribution Module.....	16
Connect Cables and Install DIMM.....	17
Connect Power Distribution Module Cables.....	18
Install Fan Assembly	19
Attach Fan Assembly	20
Connect System Fan Cables	21
Seat Power Supplies.....	22
Finishing Up	23

Figures

Figure 1. Removing Chassis Cover	8
Figure 2. Un-seating the Power Supplies.....	9
Figure 3. Removing System Fan Assembly Screws	10
Figure 4. Disconnecting System Fan Cables	11
Figure 5. Removing System Fan Assembly	12
Figure 6. Cutting Cable Ties and Removing DIMM.....	13
Figure 7. Disconnecting Power Distribution Module Cables	14
Figure 8. Remove Power Distribution Module from System	15
Figure 9. Installing the Power Distribution Module.....	16
Figure 10. Connecting Cables and Installing DIMM.....	17
Figure 11. Connecting Power Distribution Module Cables.....	18
Figure 12. Installing System Fan Assembly	19
Figure 13. Attaching System Fan Assembly	20
Figure 14. Connecting System Fan Cables	21
Figure 15. Seating the Power Supplies.....	22
Figure 16. Installing the Chassis Cover	23

About the Power Distribution Module

Enclosed is your new Intel® FMJPDB Power Distribution Module. The FMJPDB Power Distribution Module is installed into the storage system directly behind the backplane board and the backplane fan assembly, in front of the power supply.

This document describes how to install the FMJPDB Power Distribution Module into the Intel® Storage System SSR316MJ2.

Contents

- Intel® FMJPDB Power Distribution Module

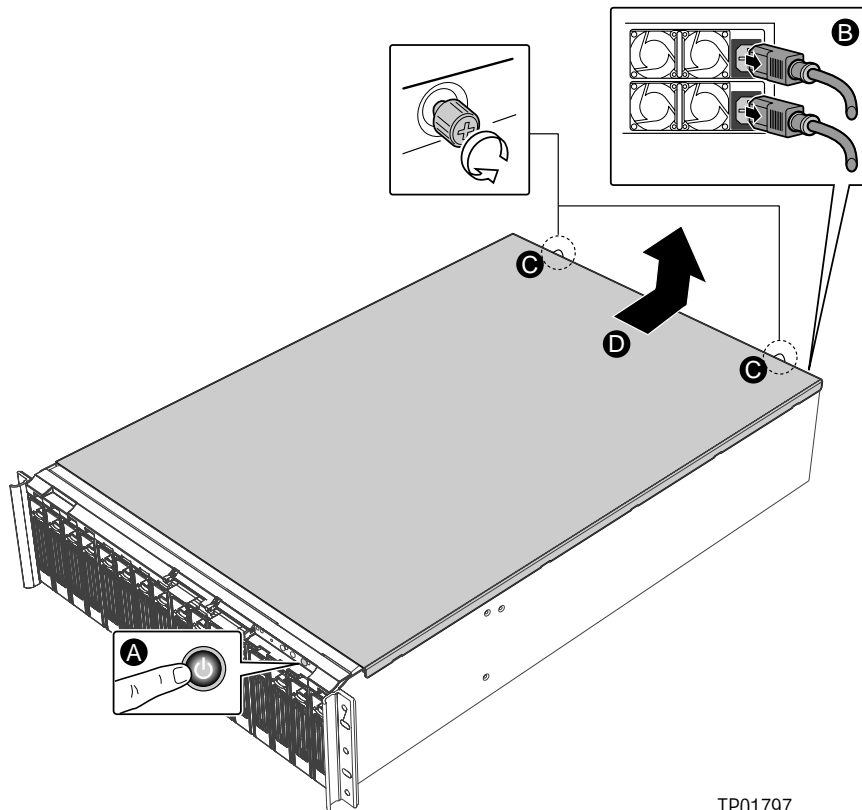
Power Distribution Module Installation Procedures

Required Tools

- Cross-head (Number 1 size Phillips*) screwdriver, with a maximum length of 4 inches
- Wire-cutter

Power Down System and Remove Chassis Cover

1. Review the safety information and warnings at the beginning of this guide.
2. Power down your Intel® Storage System Console. See letter “A” in Figure 1.
3. Remove both AC power cords from the AC power inputs at the rear of your storage system. See letter “B” in Figure 1.
4. Loosen the two thumb screws at the rear of the chassis cover. See letter “C” in Figure 1.
5. Facing the front of the chassis, push the top cover rearward, and then lift it up to remove it. See letter “D” in Figure 1.

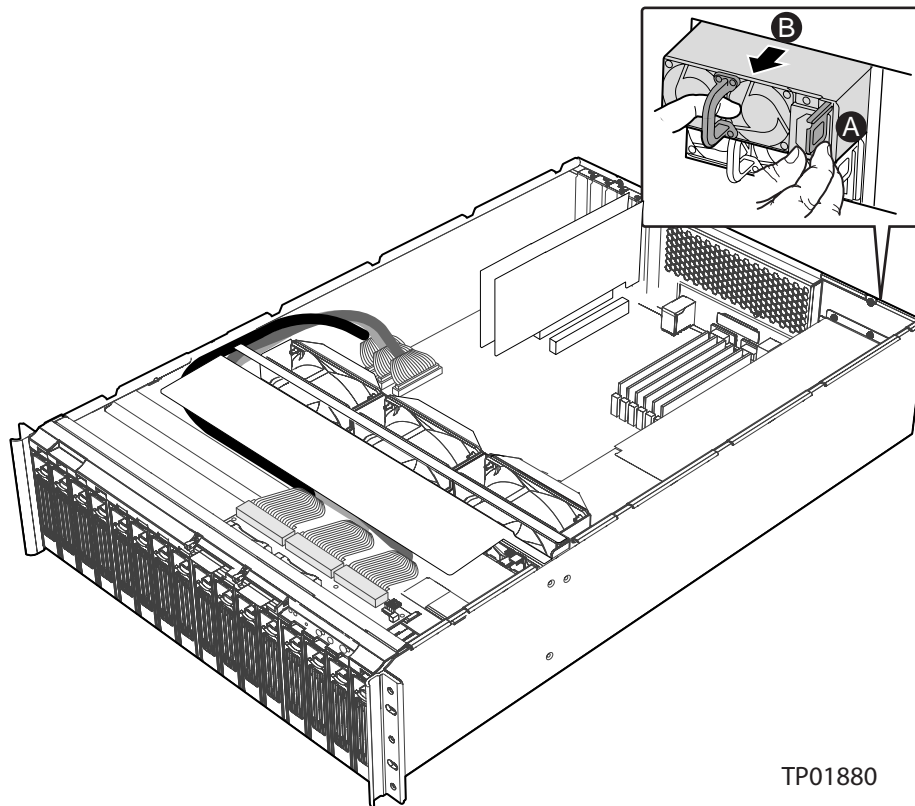


TP01797

Figure 1. Removing Chassis Cover

Un-seat Power Supplies

1. For each power supply, press the latch the right side of the power supply module. See letter “A” in Figure 2.
2. While pressing the latch, use the handle to pull the power supply out about one inch. See letter “B” in Figure 2. It is not necessary to completely remove the power supply modules from the bays.

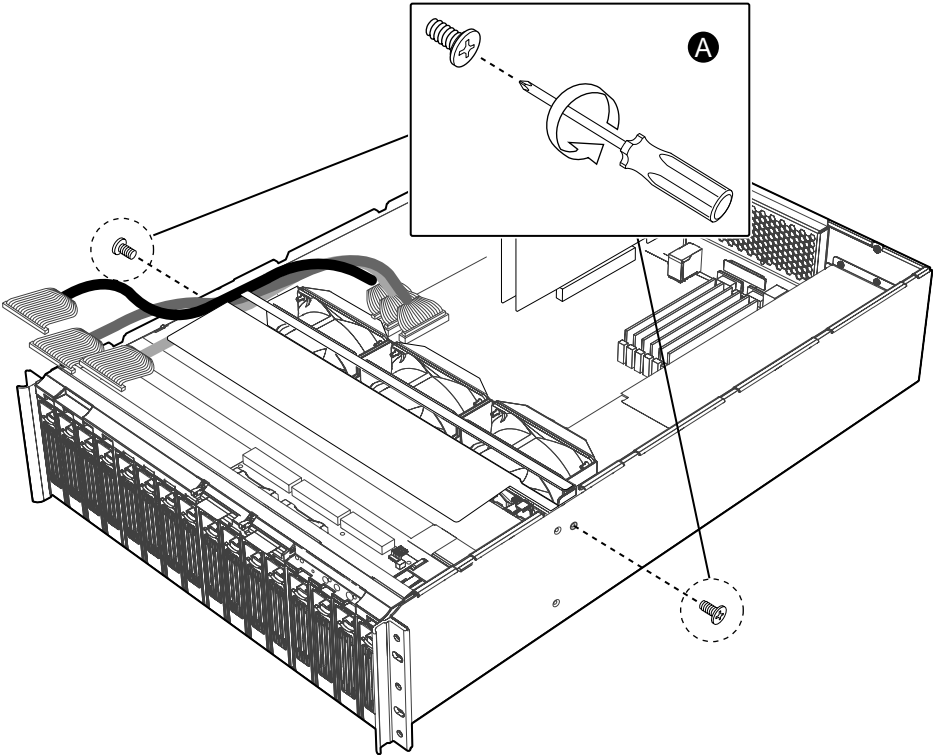


TP01880

Figure 2. Un-seating the Power Supplies

Remove Fan Assembly Screws

Use a Number 1 size Phillips* screwdriver to remove the screw on each side of the system. See letter “A” in Figure 3. These screws hold the system fan assembly in place. These screws will be re-installed later.

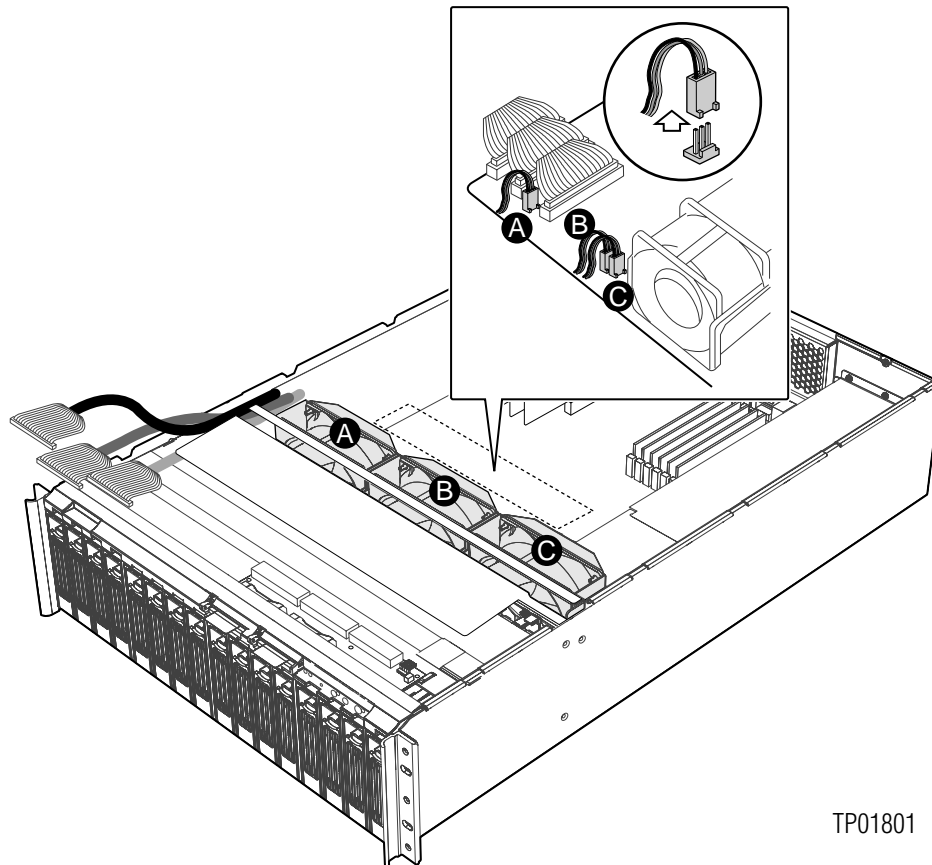


TP01800

Figure 3. Removing System Fan Assembly Screws

Disconnect Fan Cables

1. Disconnect the Fan 3 cable from the server board. See letter “A” in Figure 4.
2. Disconnect the Fan 4 cable from the server board. See letter “B” in Figure 4.
3. Disconnect the Fan 5 cable from the server board. See letter “C” in Figure 4.

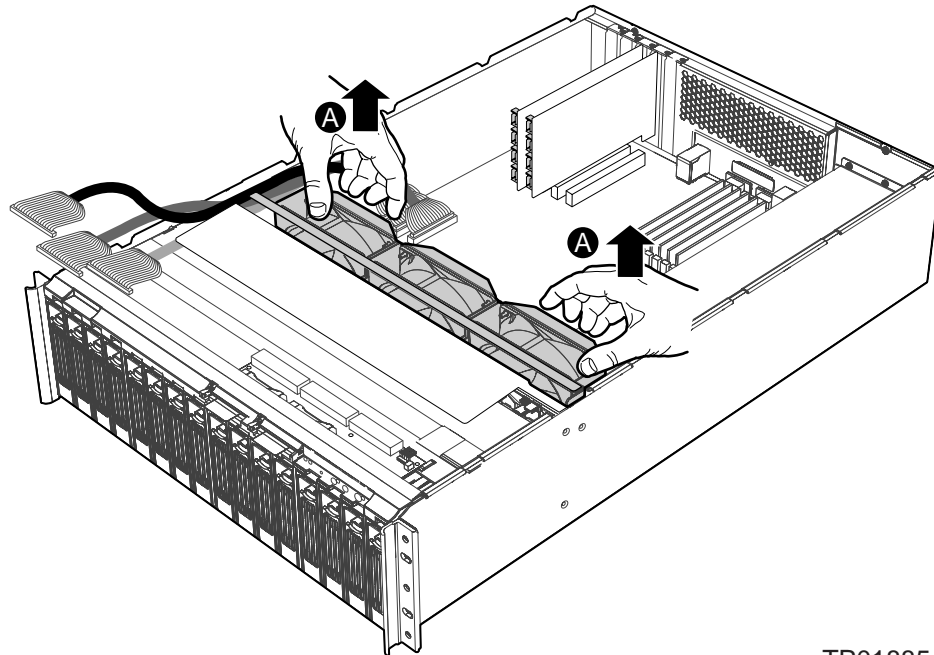


TP01801

Figure 4. Disconnecting System Fan Cables

Remove Fan Assembly

Simultaneously pull up on both sides of the system fan assembly to remove the fan assembly from the storage system. See letter “A” in Figure 5.

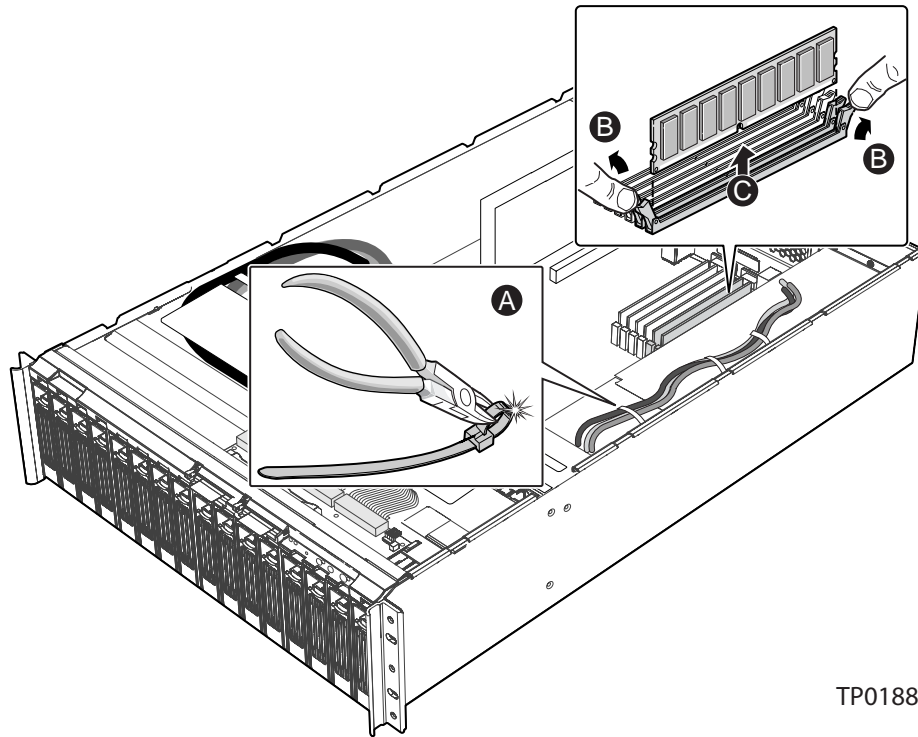


TP01885

Figure 5. Removing System Fan Assembly

Cut Cable Ties and Remove DIMM

1. Cut the plastic cable ties that bundle the power distribution cables. These ties hold the power distribution cables against the edge of the system. See letter “A” in Figure 6.
2. Push down the clips at each side of the DIMM connector that is the closest to the wire connections on the server board. See letter “B” in Figure 6.
3. Lift up on the DIMM to remove it. See letter “C” in Figure 6. Place the DIMM on a static free surface.

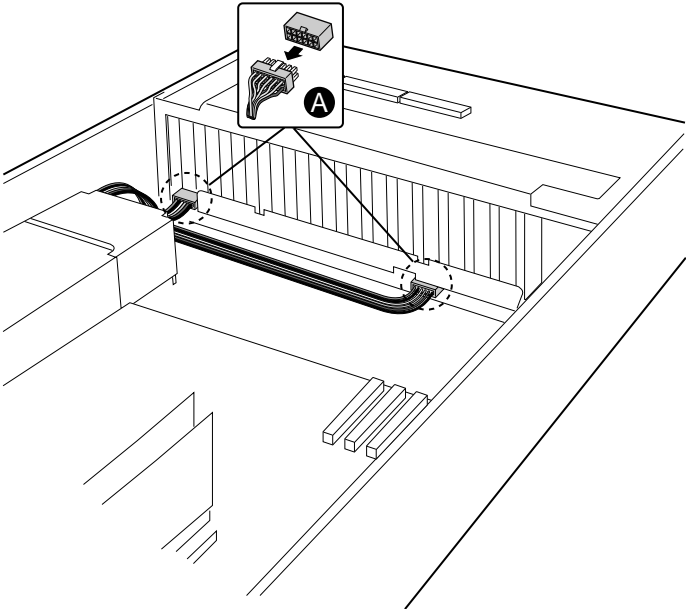


TP01881

Figure 6. Cutting Cable Ties and Removing DIMM

Disconnect Power Distribution Module Cables

Disconnect the two 12-pin power distribution module connectors from the backplane board. See letter “A” in Figure 7.

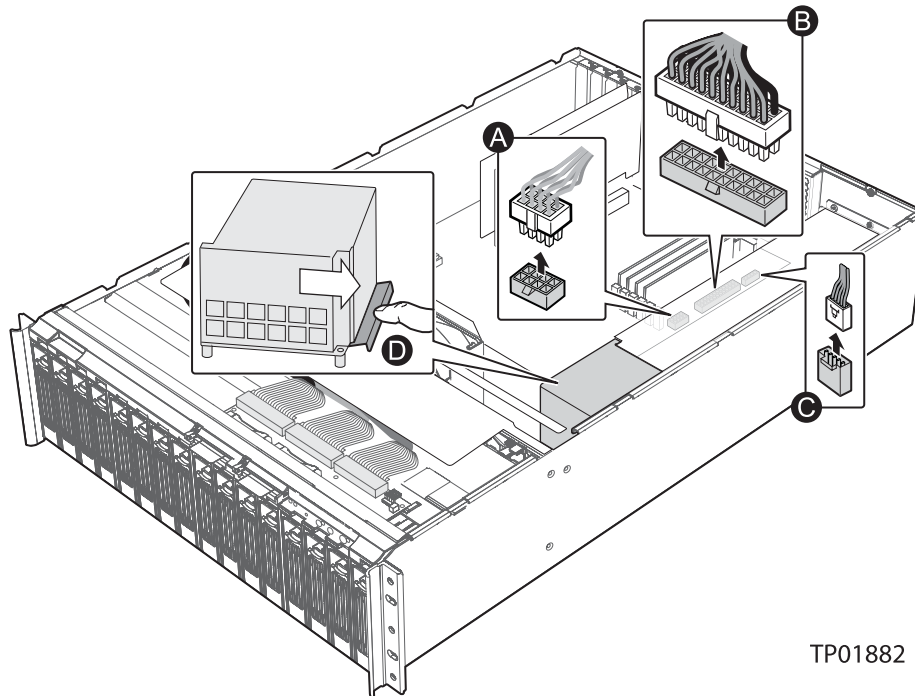


TP01805

Figure 7. Disconnecting Power Distribution Module Cables

Disconnect Cables and Remove Power Distribution Module

1. Disconnect the 8-pin cable from the server board. See letter “A” in Figure 8.
2. Disconnect the 24-pin cable from the server board. See letter “B” in Figure 8.
3. Disconnect the 5-pin cable from the server board. See letter “C” in Figure 8.
4. Press down on the lever at the front of the power distribution module. While holding the lever down, remove the power distribution module from the system. See letter “D” in Figure 8.



TP01882

Figure 8. Remove Power Distribution Module from System

Install New Power Distribution Module

1. Position the new power distribution module near the installation location in the system. See letter “A” in Figure 9.
2. Press down on the lever at the front of the power distribution module. While holding the lever down, slide the new power distribution module into place. Ensure that the power distribution module snaps into its seated position. See letter “C” in Figure 9.
3. Insert new plastic cable ties through the two steel links on the side of the chassis. Wrap the plastic cable ties around the power distribution cables and pull the ties tight around the cables. See letter “B” in Figure 9.

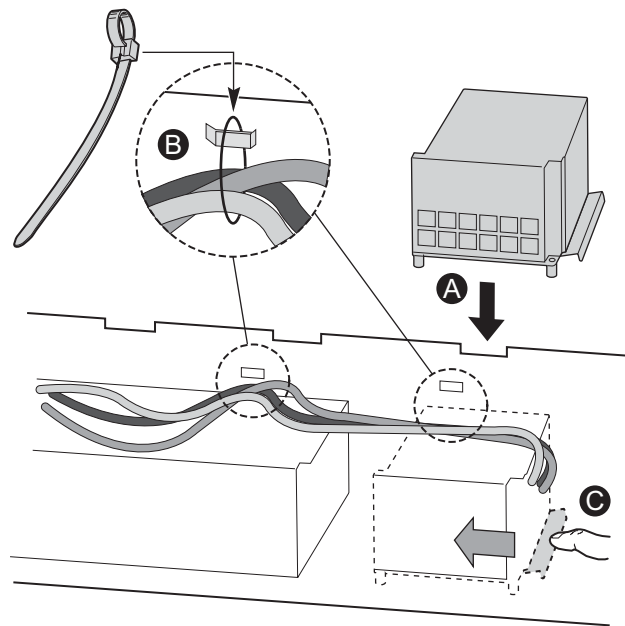
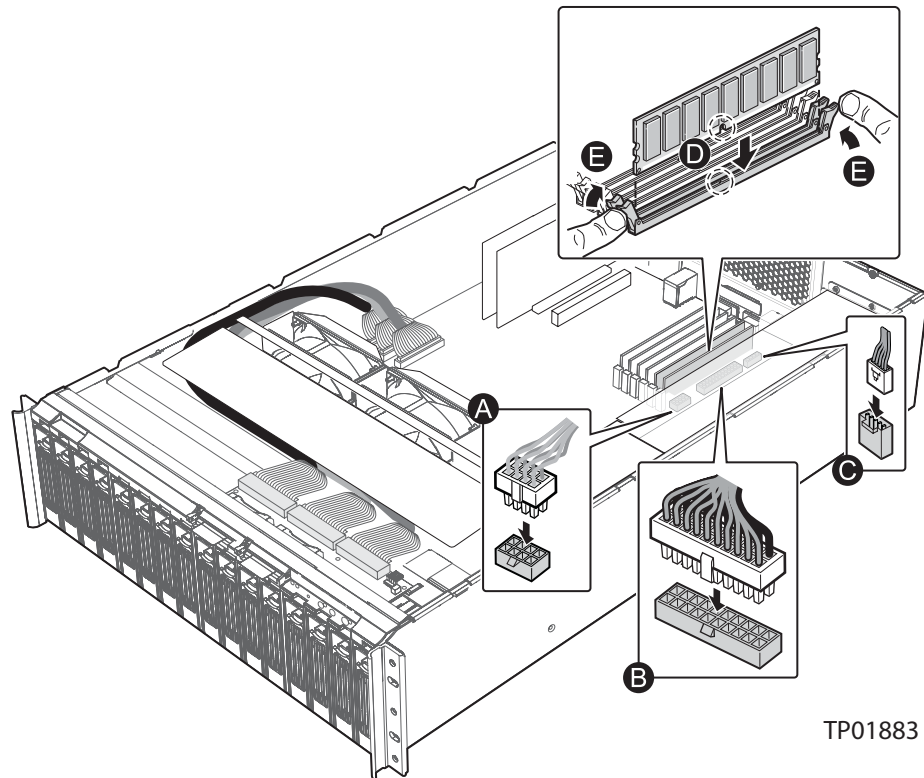


Figure 9. Installing the Power Distribution Module

Connect Cables and Install DIMM

1. Connect the 8-pin cable to the server board. See letter “A” in Figure 10.
2. Connect the 24-pin cable to the server board. See letter “B” in Figure 10.
3. Connect the 5-pin cable to the server board. See letter “C” in Figure 10.
4. Position the DIMM above the socket. Align the two small notches in the bottom edge of the DIMM with the keys in the socket. See letter “D” in Figure 10.
5. Insert the bottom edge of the DIMM into the socket.
6. Push down on the top edge of the DIMM until the retaining clips snap into place. Make sure the clips are firmly in place. See letter “E” in Figure 10.

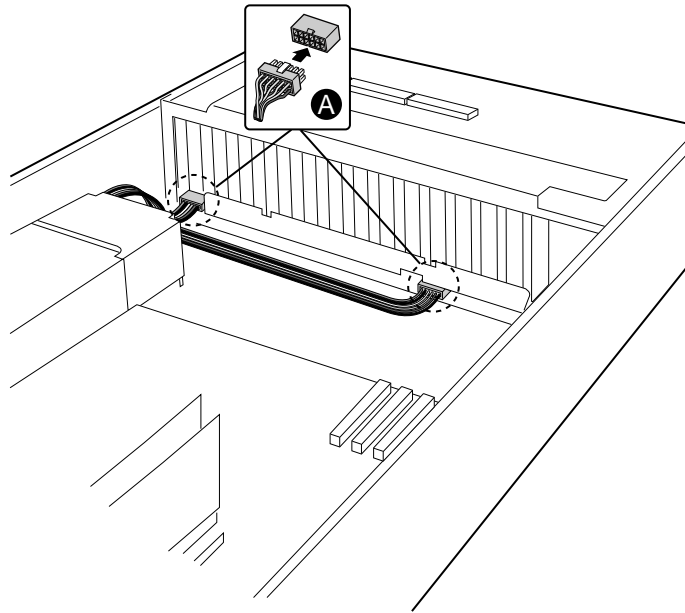


TP01883

Figure 10. Connecting Cables and Installing DIMM

Connect Power Distribution Module Cables

Connect the two 12-pin power distribution module cables to the backplane board. See letter “A” in Figure 11.

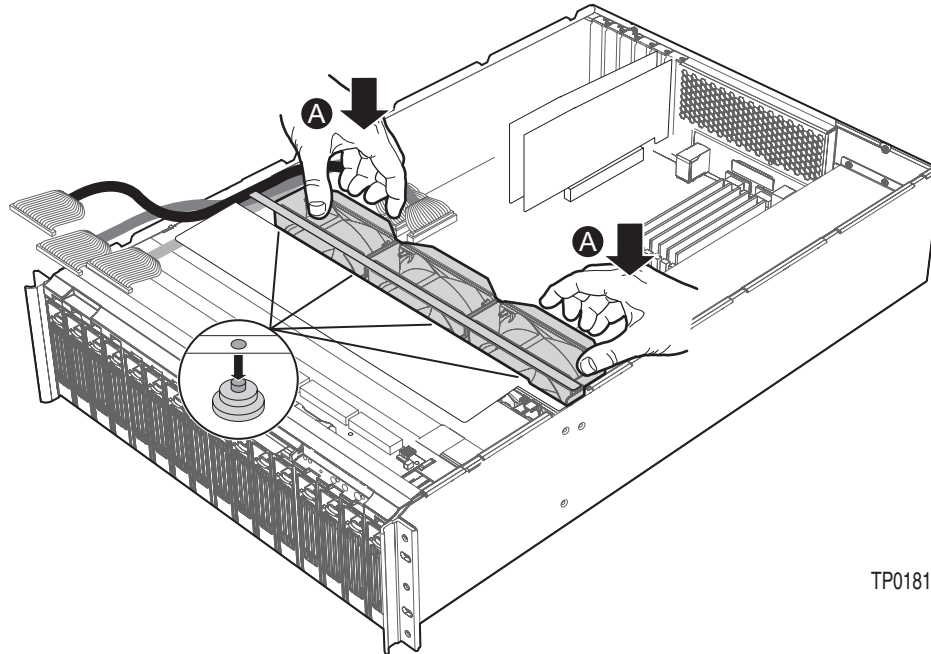


TP01808

Figure 11. Connecting Power Distribution Module Cables

Install Fan Assembly

1. Move loose wires away from the space where the system fan assembly will be installed.
2. Align the holes on the bottom edge of the system fan assembly with the blue plastic shock brackets on the bottom of the chassis.
3. Set the system fan assembly into place. See letter “A” in Figure 12.

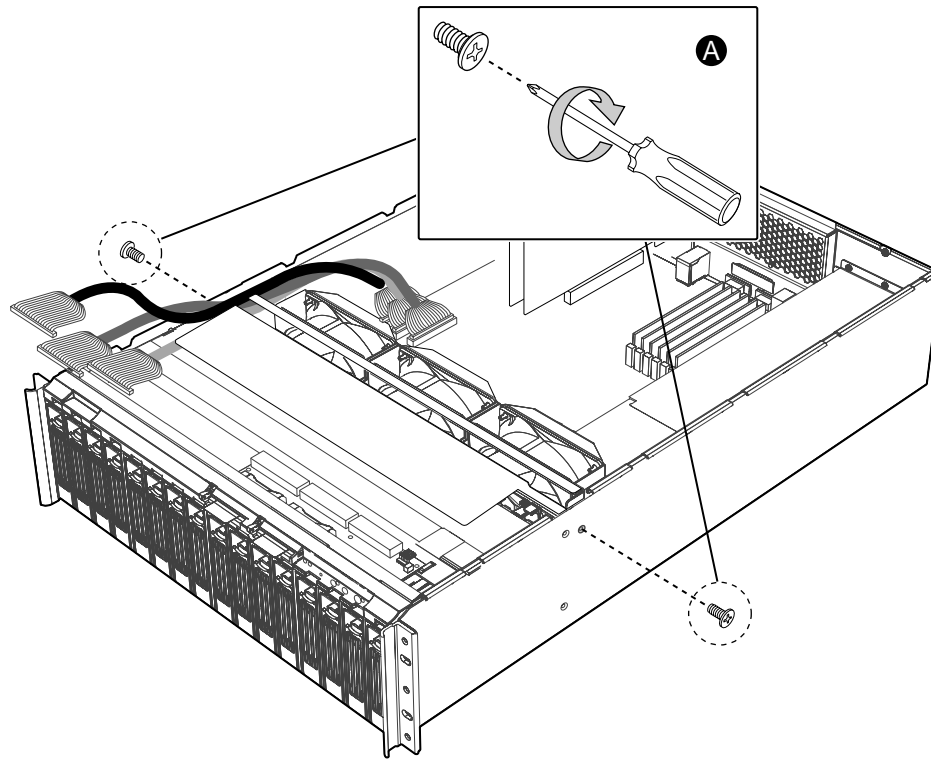


TP01811

Figure 12. Installing System Fan Assembly

Attach Fan Assembly

Use a Number 1 size Phillips screwdriver to attach the fan assembly to the chassis, using one screw at each side of the system. See letter “A” in Figure 13.



TP01812

Figure 13. Attaching System Fan Assembly

Connect System Fan Cables

1. Connect the Fan 3 cable to the server board. See letter “A” in Figure 14.
2. Connect the Fan 4 cable to the server board. See letter “B” in Figure 14.
3. Connect the Fan 5 cable to the server board. See letter “C” in Figure 14.

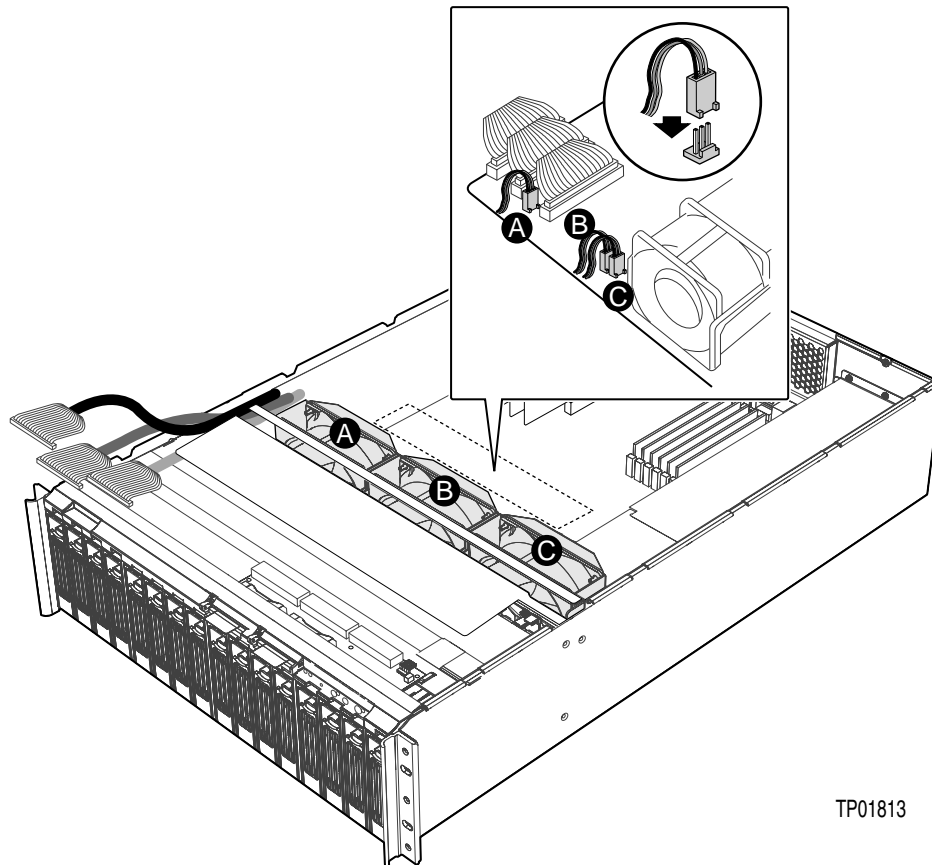
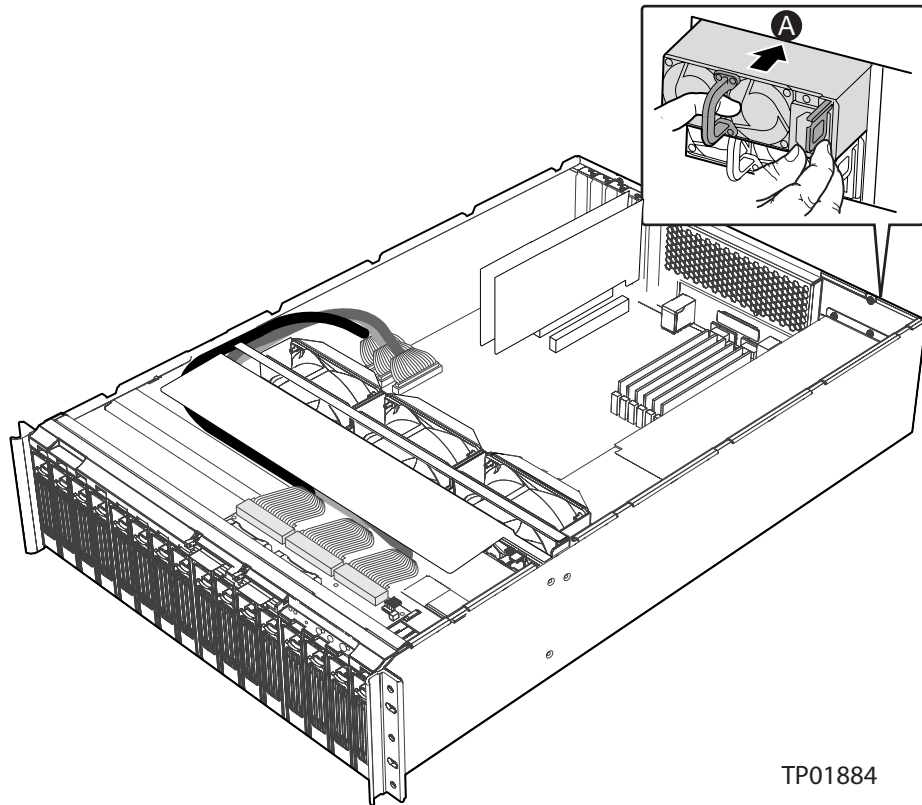


Figure 14. Connecting System Fan Cables

Seat Power Supplies

For each power supply, use the power supply handle and squeezable bracket to slide the power supply into position. See letter “A” in Figure 15.

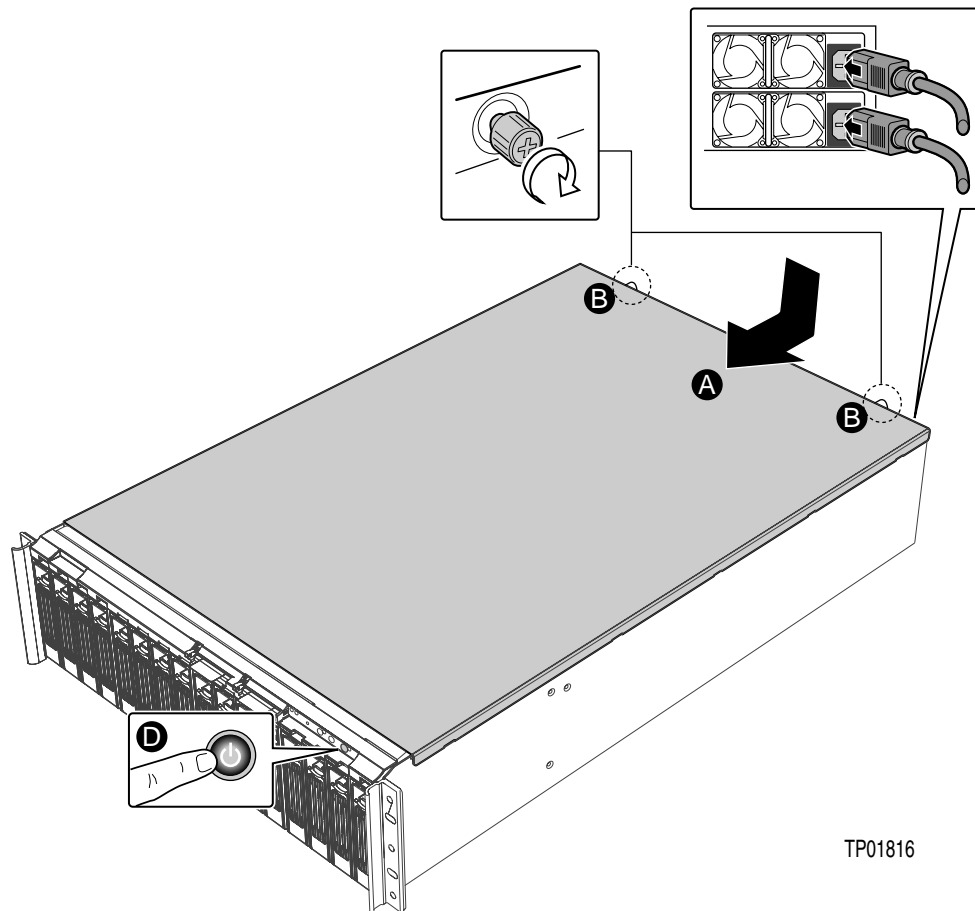


TP01884

Figure 15. Seating the Power Supplies

Finishing Up

1. Facing the front of the system, set the chassis cover into the corresponding slot in the chassis.
2. Pull the top cover forward. See letter “A” in Figure 16.
3. Tighten the two thumb screws at the rear of the chassis. See letter “B” in Figure 16.
4. Connect the AC power cables. See letter “C” in Figure 16.
5. Power on your Intel® Storage System Console. See letter “D” in Figure 16.



TP01816

Figure 16. Installing the Chassis Cover