

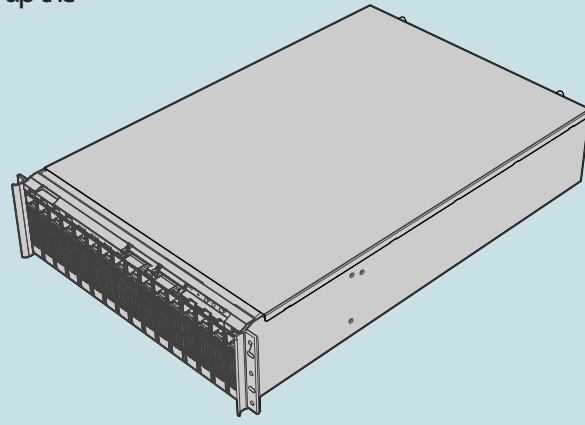


# Intel® Storage System SSR316MJ2 Quick Start User's Guide

Thank you for buying an Intel® Storage System. This document describes how to set up the Intel® Storage System SSR316MJ2, turn on the system, and how to complete basic hardware and software configuration for the system.

This guide and all Intel® Storage System SSR316MJ2 documents are available through your account on the Intel Business Link (IBL) website.

If you are not familiar with ESD (Electrostatic Discharge) procedures used during system integration, please see the Intel® Storage System SSR316MJ2 Hardware Technical Product Specification. This document is available via IBL or your local Intel sales representative.



## Warning

**Warning:** Storage system power on/off: The push-button on/off power switch on the front panel of the storage system does not turn off the AC power. To remove AC power from the storage system, you must first unplug the AC power cord from either the power supply or wall outlet.

## Warning

**Warning:** Hazardous conditions—power supply: Hazardous voltage, current, and energy levels are present inside the power supply enclosure. There are no user-servicable parts inside the power supply; servicing should only be done by technically qualified personnel.

## Warning

**Warning:** Hazardous conditions—devices and cables: Hazardous electrical conditions may be present on power, telephone, and communication cables. Turn off the storage system and disconnect telecommunications systems, networks, modems, and the power cord attached to the storage system before opening it. Failure to do so can result in personal injury or equipment damage.

## Warning

**Warning:** Avoid injury: Lifting the storage system chassis and attaching it to the rack is a two-person job. If needed, use an appropriate lifting device. An Intel® Storage System SSR316MJ2 weighs approximately 31.8 kg (70 lbs.) with all sixteen hard disk drives installed.

## Caution

**Caution:** Temperature: The operating temperature of the storage system, when installed in an equipment rack, must not go below 5 °C (41 °F) or rise above 35 °C (95 °F). Extreme fluctuations in temperature can cause a variety of problems in the storage system.

## Caution

**Caution:** Ventilation: The equipment rack must provide sufficient airflow to the front of the storage system to maintain proper cooling. It must also include ventilation sufficient to exhaust a maximum of 1900 BTUs per hour for a fully loaded Intel® Storage System SSR316MJ2.

## 1 Package Contents

- Intel® Storage System SSR316MJ2
- Two 3.5" 250 GB SATA Hard Disk Drives in Carriers
- 14 Empty Hard Disk Drive Carriers
- Two Installed Compact Flash Cards
- One null modem cable
- Hard Disk Drive Labels
- Supplementary Compact Flash Card Pull Tabs
- Shelf Mount Rail Kit

## 2 Intel® Storage System SSR316MJ2 Hardware Installation

Note: Before you begin, make sure you have received all the parts listed in Step 1, Package Contents.

### Installation Requirements:

- Minimum 486 PC or laptop with serial port to attach to the Intel® Storage System SSR316MJ2's serial port for configuring the network connection.
- PC with terminal emulation software to establish connection to the Intel® Storage System SSR316MJ2.

### Plugging in the Intel® Storage System SSR316MJ2:

- 1 On the back of the Intel® Storage System SSR316MJ2, connect both power cords to the Intel® Storage System SSR316MJ2 and plug into the power source(s).
- 2 Make sure that the power supply LEDs display as green. This indicates that power is connected to the system.
- 3 Attach an Ethernet cable to Eth0 port. The Eth0 port is labeled on the back of the Intel® Storage System SSR316MJ2.
- 4 Connect a PC or laptop to the Intel® Storage System SSR316MJ2's serial port using the null modem cable provided. You will use the PC or laptop to assign an IP address to the Intel® Storage System SSR316MJ2.

Note: The Ethernet port status LED in the Intel® Storage System SSR316MJ2 displays green or orange, depending on the speed of the connection. A green light indicates that the connection speed is 100 Mbps. An orange indicator light indicates that the connection speed is 1 Gbps.

### Powering up the Intel® Storage System SSR316MJ2:

- 1 Before you power on the Intel® Storage System SSR316MJ2, unpack the two hard disk drives that are contained in hard disk drive carriers and the 14 empty hard disk drive carriers.

Included with the Intel® Storage System SSR316MJ2 are label stickers to assist you in always inserting your hard disk drives in the correct drive bays. Please place a sticker on each populated hard disk drive carrier before insertion. Save unused label stickers for future use, and label every hard disk drive you utilize.

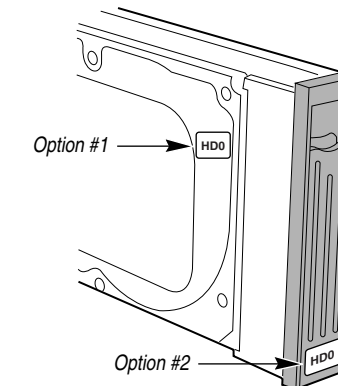
**CAUTION:** Once the storage system is configured and appropriate RAID levels are applied to the hard disk drives that are installed in the system, if a hard disk drive is removed from a particular hard disk drive bay, it must be re-installed in exactly the same hard disk drive bay. Never change the bay position of a hard disk drive once it has been installed in the system and appropriate RAID levels have been applied to it. This may cause the data on the hard disk drive to become inaccessible.

**CAUTION:** Hard disk drives must be populated left to right, in order, 0 to 15. Hard disk drive bay O is the farthest to the left when facing the front of the system, and hard disk drive bay 15 is the farthest to the right. The hard drive number on the label must match the number of the corresponding drive bay.

- 2 Affix hard disk drive labels to the hard disk drives utilized in your system in one of the two ways illustrated below.

Hard disk drive label sheet that shipped with your Intel® Storage System SSR316MJ2

HD0	HD1	HD2	HD3	HD4	HD5	HD6	HD7
HD8	HD9	HD10	HD11	HD12	HD13	HD14	HD15
HD0	HD1	HD2	HD3	HD4	HD5	HD6	HD7
HD8	HD9	HD10	HD11	HD12	HD13	HD14	HD15



### Seat and latch hard disk drives and hard drive carriers:

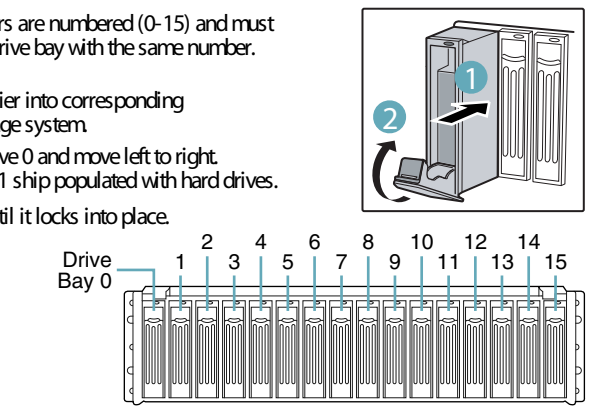
**Warning:** Hard disk drive carriers are numbered (0-15) and must be installed into the drive bay with the same number.

- 1 Insert hard disk drive carrier into corresponding drive bay on front of storage system.

Note: Begin with hard disk drive 0 and move left to right. Hard disk drive carriers 0 and 1 ship populated with hard drives.

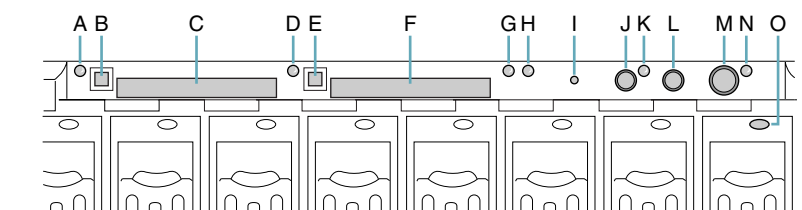
- 2 Rotate drive handle up until it locks into place.

Note: Repeat steps 1 and 2 until all 16 hard drive carriers are installed.



### Front panel controls and indicators:

- 1 Press the Power button on the front of the storage system. The green LED illuminates.

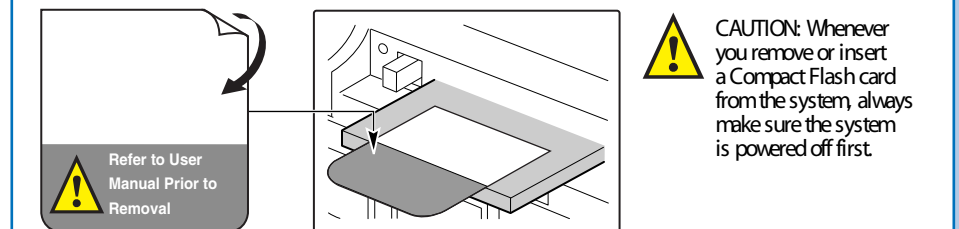


- A. Compact Flash Primary Activity LED
- B. Compact Flash Memory Primary Eject Button
- C. Compact Flash Memory Primary Slot
- D. Compact Flash Secondary Activity LED
- E. Compact Flash Memory Secondary Eject Button
- F. Compact Flash Memory Secondary Slot
- G. LAN 2 Activity LED
- H. LAN 1 Activity LED
- I. Not Used
- J. ID Switch
- K. ID LED
- L. Reset Switch
- M. Power Switch
- N. Power LED
- O. Hard Drive Activity LED

### Attaching Adhesive Pull Tabs to Supplementary Compact Flash Cards:

Note: The two Compact Flash cards that ship within the Intel® Storage System SSR316MJ2 already have pull tabs on them for easy card removal. This step is only necessary if you purchase Compact Flash cards to supplement or replace the two cards that are already installed in the system.

- 1 Peel off one of the adhesive pull tabs that was in the package contents of your storage server and apply it to a Compact Flash card that is not already in the Intel® Storage System SSR316MJ2.



## 3 Intel® Storage System SSR316MJ2 Software and Network Configuration

Note: Before you begin the Software and Network Configuration, you must have:

- Installed the hard disk drives and cables
- Connected a PC or laptop to the SSR316MJ2's serial port
- Powered up the Intel® Storage System SSR316MJ2

Note: For information about installing the hardware, see "Intel® Storage System SSR316MJ2 Hardware Installation" in step 2.

### Setting the IP Address for the Intel® Storage System SSR316MJ2:

- 1 On the PC or laptop attached to the storage system, open a session with a terminal emulation program. For Windows: HyperTerminal or ProComm Plus—use the settings listed in step A below to configure your session. For Linux: MiniCom or CU—to run Mini-Com, create a configuration file as described in step B below.

- A In Windows: Use the following settings in a Windows terminal emulation program.
  - Bits per second = 19200
  - Data bits = 8
  - Parity = None
  - Stop bits = 1
  - Flow control = None
  - Backspace key sends = Del
  - Emulation = ANSI

In HyperTerminal: Set the properties for the backspace key and emulation after the session is established. If you exit the session, and then return to the session in order to use the Configuration Interface, the screen will not open correctly. To open correctly, press Ctrl + L to refresh the screen.

- B In Linux: Create the following configuration file. You must create the file as root, or root must change permissions for /dev/cua0 in order to create the config file in /etc/.
  - a Create the /etc/minicom Intel Storage System SSR316MJ2 with the following parameters: #Begin Intel Storage System SSR316MJ2 configuration #Machine-generated file --use "minicom-s" to change parameters
 

```
pr port/dev/cua0
pu baudrate 19200
pu bits 8
pu parity N
pu stopbits 1
pu maubaud yes
pu backspace DEL
pu hascd no
pu rtscts no
pu xonxoff yes
pu askndr yes
#End Intel Storage System SSR316MJ2 configuration
```

- b Start xterm as follows: \$ xterm

- c In the xterm window, start minicom as follows:
 

```
$ minicom -c on -l Intel Storage System SSR316MJ2
```

- 2 Press Enter when the terminal emulation session is established. For HyperTerminal: You will know that the session is established when the lines of text stop scrolling and the following line displays:
  - raid0: Allocating 8 bytes for hash

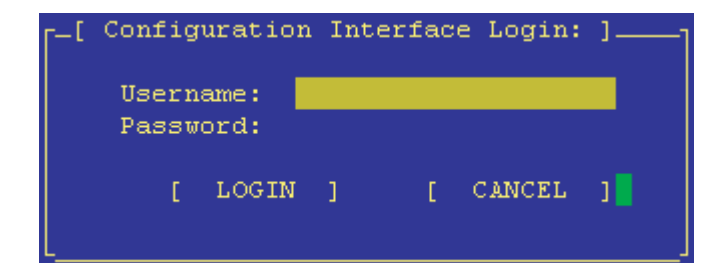
A prompt appears asking you to type "start" and hit enter at the login prompt.

- 3 Type start and press Enter. When the session is connected to the Intel® Storage System SSR316MJ2, the Intel® Storage System SSR316MJ2 Configuration Interface window opens, as shown below.



C75927-001

- 4 Press Enter. The Intel® Storage System SSR316MJ2 Configuration Interface opens to the login window shown below.



- 5 Use the Tab key to move through the fields and menu options in the Configuration Interface.
- 6 Type in the User Name and Password. The default User Name is admin. The default Password is storage.

Note: The User Name and Password are case-sensitive.

**CAUTION:** For security reasons, it is highly recommended that the default Password is changed immediately after initial log on.