



Failure to properly install and integrate the processor may void your warranty coverage.



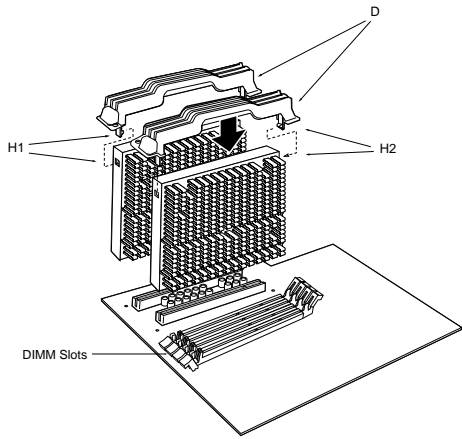
IMPORTANT: Integrators must perform thermal evaluation. Proper thermal management is essential for successful integration of Intel® Pentium® III Xeon™ processor-based systems. To ensure proper cooling and adequate airflow for the processor(s) refer to the Thermal Management Notes for the Intel Pentium III Xeon processor.

Integration Issues and Information

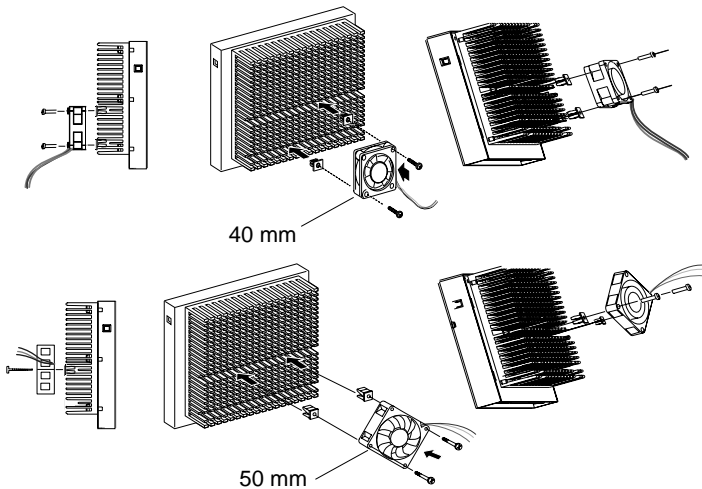
Before you install the processor(s) into a system, see the Integration Notes for the Intel® Pentium® III Xeon™ processor on the World Wide Web at: <http://support.intel.com> (Document # 24771).

Refer to the Intel® Pentium® III Xeon™ processor datasheet document # 245094 for processor specifications. The datasheet can be found on the World Wide Web at <http://developer.intel.com>.

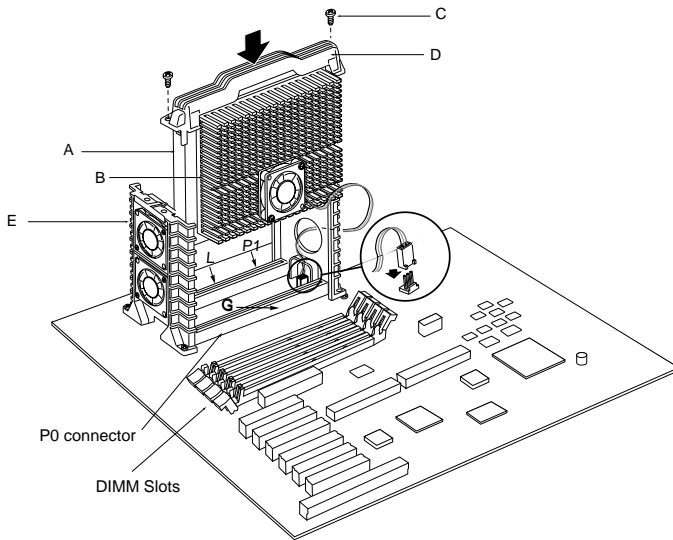
Install the retention mechanism(s) onto the motherboard using the motherboard manufacturer's instructions. The illustrations shown in this manual correspond with the retention mechanisms that are supplied with the Intel boxed workstation motherboard.



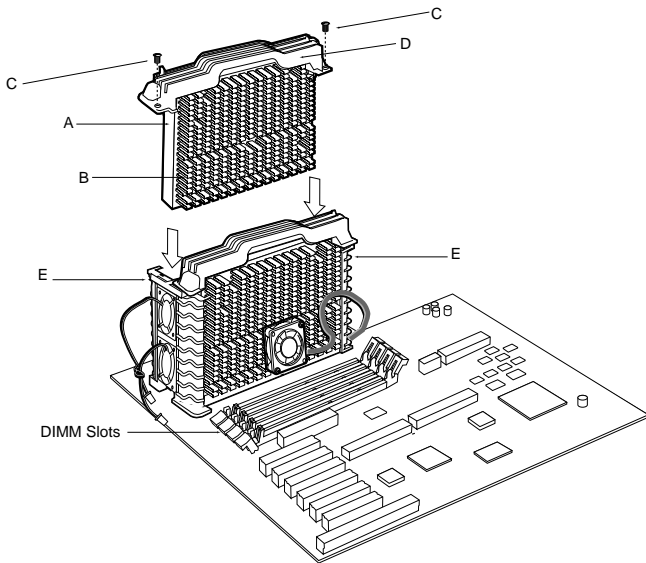
Attach the Dual Retention Mechanism (DRM) top (D) to the processor by snapping the clips (H1, H2) into the two recesses on the sides of the processor.



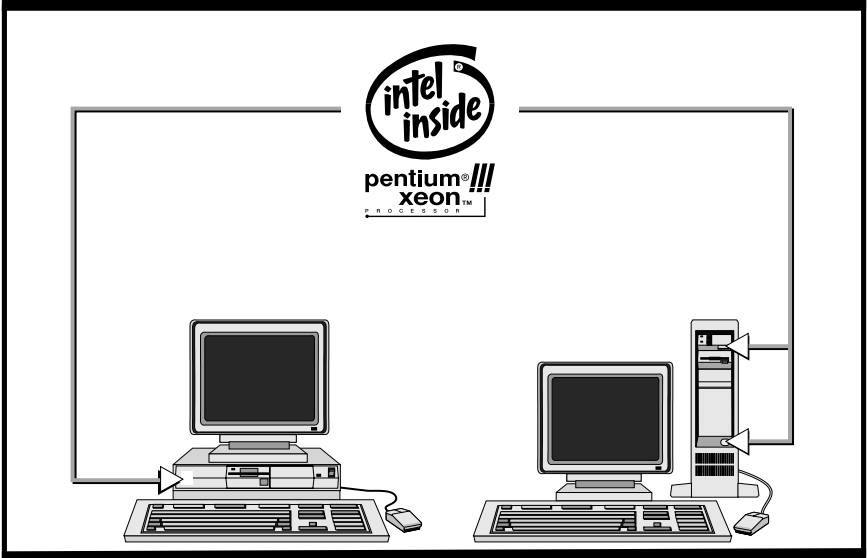
The boxed Intel® Pentium® III Xeon™ processor ships with fan installation hardware. **Note:** A fan is not included with the Intel boxed processor. To determine if a fan is needed for your application, refer to document # 24772. Thermal Management Notes located on the World Wide Web at <http://support.intel.com>. If a fan is needed, install the fan grommets (provided) into the heatsink as shown. Align the grommets using the fan as a template. Center the fan on the heatsink as shown above. Then press the grommets firmly into the heatsink fins. Install the fan as shown in the appropriate figure above. Install the enclosed screws into the grommets to secure the fan. Refer to your motherboard instructions to install the fan power cable. Apply power to the fan to ensure proper processor cooling.



Orient the processor (A) so that the heatsink (B) faces the DIMM slots. Slide the processor into the retention mechanism (E) ensuring that the Dual Retention Mechanism (DRM) top screw holes align with the retention mechanism screw holes. Press down firmly until the processor is seated in the P0 processor connector (G). Secure the DRM top (D) to the retention mechanism (E) using the appropriate screws (C). If this is a single processor system, install the termination card in the connector labeled P1 (L). Once the termination card is installed in the connector labeled P1 (L), place the DRM top (D) over the termination card. Secure the DRM Top to the retention mechanism using the appropriate screws (C).



To install a second processor, remove any termination card located in the processor connector labeled P1. Orient the second processor (A) so that the heat sink (B) faces the DIMM slots. Slide the processor into the processor retention mechanism (E). Press down firmly until it is seated in the processor connector labeled P1. Secure the DRM top (D) to the retention mechanism (E) using the appropriate screws (C).



Please do not place the label on the monitor, keyboard, disk drive, or other peripheral equipment.

Information in this document is provided in connection with Intel products. No license, express or implied, by estoppel or otherwise, to any intellectual property rights is granted by this document. Except as provided in Intel's Terms and Conditions of Sale for such products, Intel assumes no liability whatsoever, and Intel disclaims any express or implied warranty, relating to sale and/or use of Intel products including liability or warranties relating to fitness for a particular purpose, merchantability, or infringement of any patent, copyright or other intellectual property right. Intel products are not intended for use in medical, life saving, or life sustaining applications. Intel may make changes to specifications and product descriptions at any time, without notice.

Designers must not rely on the absence or characteristics of any features or instructions marked "reserved" or "undefined." Intel reserves these for future definition and shall have no responsibility whatsoever for conflicts or incompatibilities arising from future changes to them.

The Intel® Pentium® III Xeon™ processors may contain design defects or errors known as errata which may cause the product to deviate from published specifications. Current characterized errata are available on request.

Copyright © Intel Corporation 1999.
Third-party brands and names are the property of their respective owners.

Part Number 732165-002
First Edition November 1999